

Cooling Catalogue

Thermostats - Standard and High Flow

Thermostat Gaskets

TRIDON



Features **PERFORMANCE HIGH FLOW THERMOSTAT**



Thermostats Standard & High Flow Thermostat Gaskets

Tridon Australia Pty Ltd is an Australian owned company and supplies the automotive, original equipment, industrial and hardware markets in Australia and New Zealand. Quality and customer service are of the utmost importance. Tridon's distribution and manufacturing facility is ISO9001/TS16949 quality accredited and ISO14001 environmentally accredited.

Tridon offers the most extensive range of high quality engine thermostats and gaskets in the market including heavy-duty commercial applications. All Tridon thermostats are factory calibrated and tested ensuring 100% operation prior to purchase.

This catalogue has been carefully researched and compiled to ensure correct product selection and includes:

- **Thermostats** with more than 500 part numbers across 44 vehicle makes
- **High Flow Thermostats** to deliver improved cooling system performance
- **Thermostat Gaskets** with over 70 part numbers across 44 vehicle makes
- **Vehicle Application List** with more than 2800 vehicle lines within the Australian and New Zealand vehicle car parc
- **Part Number Identification Guides** with over 580 part numbers including photographs and technical data
- **Technical Information** for each product type

For further information regarding Tridon products please contact your nearest Tridon stockist or Tridon Customer Service as listed on the back of this catalogue.

Contents

Product Range & Packaging 2

Merchandising 3

Vehicle Application List 5

Car & Light Commercial 6
Truck, Earthmoving, Tractor & Equipment 56

Thermostats 86

Function 87
High Flow Thermostats 87
Thermostat Style & Selection 88
Thermostat Installation 89
Thermostat Temperature 90
Jiggle Pin 90
Frequently Asked Questions 91
Testing Procedure 92
Thermostat Calibration 93
Thermostat Identification Guide 94
Thermostat Size - Quick Reference Guide 127

Thermostat Gaskets 137

Function 138
Thermostat Gasket Styles 138
Gasket Identification Guide 139



Thermostats and Gaskets

Product Range

Thermostats

The thermostat is a mechanical temperature control valve assembly used in the vehicle cooling system to regulate the temperature of the engine. The thermostat allows the circulation of coolant from the engine through the radiator once the predetermined temperature is achieved.

High Flow Thermostats

The high flow thermostat is designed to interchange with the original thermostat. Utilising a **30% larger** opening valve, the high flow thermostat increases coolant flow and improves cooling system performance. Ideal for high performance applications, or for applications where additional loads are placed on the engine.

Thermostat Gaskets

The thermostat gasket is designed to seal the water inlet or thermostat housing to the engine. There are two styles of thermostat gaskets, paper or moulded rubber 'O' rings (sealing rings). Some manufacturers use neither style, rather a liquid sealing compound between the two metal surfaces.

Packaging

Tridon thermostats are available blister packed or boxed (due to size certain thermostats are available boxed only). High flow thermostats have a unique, distinctive design to enable quick and easy identification. Thermostat gaskets are supplied in a carded, sealed poly bag. To assist with correct product selection an abbreviated application list is supplied on the back of each backing card. The part number is clearly marked on the front of the pack and is barcoded.

Always refer to the catalogue application list or Tridon Part Finder at www.tridon.com.au/partfinder for more comprehensive applications.



Merchandising

Tridon's thermostat merchandising panels are designed for wall or gondola mounting. Each merchandiser contains a selection of popular, fast moving thermostats suitable for the automotive repairer.

Panel Dimensions: 480mm (w) x 380mm (h)

Thermostat Merchandiser

Popular, fast moving thermostat part numbers.

Ideal for the workshop servicing a mix of popular vehicles.

Contains 8 part numbers with 13 thermostats in total.

Contents: Part No. TTM13

Part No.	Qty	Part No.	Qty
TT1-180	2	TT228-195	2
TT1-192	1	TT240-180	2
TT203-195	2	TT240-192	1
TT214-180	2	TT241-180	1



Thermostat Merchandiser - High Flow Upgrade

High flow upgrade for standard thermostat merchandiser.

Ideal for the workshop servicing a mix of popular high performance vehicles.

Contains 8 part numbers with 13 thermostats in total.

Contents: Part No. TTM13-UG

Part No.	Qty	Part No.	Qty
TT2000-180	2	TT2028-195	2
TT2000-195	1	TT2040-180	2
TT2003-195	2	TT2040-192	1
TT2014-180	2	TT2041-180	1



High Flow Thermostat Merchandiser

Popular, fast moving high flow thermostat part numbers.

Ideal for the workshop servicing a mix of popular vehicles with only high flow applications.

Contains 7 part numbers with 10 thermostats in total.

Contents: Part No. TTM10

Part No.	Qty	Part No.	Qty
TT268-170	2	TT301-180	1
TT281-180	2	TT323-180	1
TT294-170	2	TT373-180	1
TT298-180	1		



Thermostats and Gaskets

Merchandising

Thermostat Gasket Merchandiser

Comprehensive range of paper and rubber gaskets to suit passenger cars and light commercial vehicle applications. Vehicle application details are listed on the backing card for easy identification.

Contains 62 part numbers with 161 gaskets in total.

Shelf space requirements are minimal.

Dimensions: 315mm (d) x 625mm (w) x 450mm (h)

Contents: Part No. TGM3

Part No.	Qty	Part No.	Qty	Part No.	Qty	Part No.	Qty
TTG1U	4	TTG17	2	TTG33	3	TTG49	3
TTG2U	4	TTG18	3	TTG34	4	TTG50	1
TTG3	3	TTG19	3	TTG35	3	TTG51	3
TTG4	3	TTG20U	4	TTG36	2	TTG55	2
TTG5	3	TTG21	2	TTG37	1	TTG56	2
TTG6	1	TTG22	2	TTG38	3	TTG57	1
TTG7	3	TTG23	2	TTG39	2	TTG58	2
TTG8	1	TTG24	3	TTG40	3	TTG63	2
TTG9	4	TTG25	5	TTG41	2	TTG69	2
TTG10	3	TTG26	3	TTG42	3	TTG71	2
TTG11	6	TTG27	1	TTG43	3	TTG72	1
TTG12	3	TTG28	2	TTG44	2	TTG73	1
TTG13	1	TTG29U	3	TTG45	3	TTG75	1
TTG14	4	TTG30	2	TTG46	5	TTG77	2
TTG15	4	TTG31	2	TTG47	5	Total	161
TTG16	3	TTG32	1	TTG48	2		





For ease of product selection this vehicle application list has been divided into two sections as follows:

- Car & Light Commercial
- Truck, Earthmoving, Tractor & Equipment

Vehicle make and models are listed in alphabetical order with the corresponding year, cylinder and engine size. Applications for each product are listed with the appropriate Tridon part number and colour coded for easy identification.



Reference should be made to the vehicle application prior to selection of the replacement part to ensure that the correct part is supplied for the vehicle.

Vehicle Application List



Vehicle Application List

Make and Model		Year		Engine			Part Number			Notes
		Start	Finish	Cyl	Size	Model	Standard Thermostat	High Flow Thermostat	Gasket	
Alfa Romeo										
33		05/84	01/92	4	1.5L-1.7L		TT231-180		TTG9	
75		01/88	01/92	4	2.0L	AR062.24	TT231-180		TTG20U	
75	V6	10/86	01/92	V6	2.5L-3.0L		TT230-180		TTG20U	
90		06/85	02/88	V6	2.5L		TT231-180		TTG20U	
147		08/01	12/10	4	2.0L	AR 32310	TT1122-190P		INC	
147	Diesel	01/06	12/10	4	1.9L	937A5	TT1675-190		INC	
156		02/99	08/02	4	2.0L	AR 32310	TT1122-190P		INC	
156		09/02	05/06	4	2.0L	937A1000	TT1564-190P		INC	
159	JTS	06/06	12/10	4	2.2L	939A5000	—	TT2000-180	TTG11	
159	Diesel	03/07	12/10	4	1.9L	939A2000	TT1669-190		INC	
159	Diesel - JTD	06/06	12/10	5	2.4L		TT1670-190		INC	
164	V6	02/89	12/92	V6	3.0L		TT265-180	TT2065-180	TTG29U	
Alfasud		03/74	12/88	4	1.2L-1.5L		TT231-180		TTG9	
Alfetta		03/74	07/85	4	1.8L-2.0L		TT230-180		TTG9	
Brera		06/06	12/10	4	2.2L	939A5000	—	TT2000-180	TTG11	
Brera		01/06	01/07	5	2.4L	939A3	TT1670-190		INC	
Giulietta		07/80	03/86	4	1.8L-2.0L	AR016	TT231-180		TTG9	
GT	JTS	11/04	12/10	4	2.0L	937A1000	TT1564-190P		INC	
GTV	2000	06/72	06/76	4	2.0L	AR162	TT230-180		TTG9	
GTV		07/81	08/86	4	2.0L	AR016	TT230-180		TTG9	
GTV		06/98	09/03	4	2.0L	AR32301	TT1122-190P		INC	
GTV	V6	03/83	02/88	V6	2.5L	AR0911	TT234-180	TT2034-180	TTG9	
Mito	Incl. Sport	01/09	12/10	4	1.4L		TT1701-176		INC	
Spider		01/66	12/76	4	ALL		TT231-180		TTG9	
Spider		06/98	09/03	4	2.0L	AR32301	TT1122-190P		INC	
Spider	2.0 - JTS	07/00	07/05	4	2.0L	937A1000	TT1564-190P		INC	
Spider	2.2 - JTS	11/06	12/10	4	2.2L	939A5000	—	TT2000-180	TTG11	
Sprint	Twin Carb.	11/82	02/88	4	1.5L	AR301	TT231-180		TTG9	
Audi										
5E		03/78	06/82	5	2.1L	WB,WC	—	TT247-192	TTG33	
5+5		10/81	06/84	5	2.1L	WE	—	TT304-192	TTG33	
80	Inc. Quattro	06/86	12/92	4	1.8L-2.0L		TT234-192	TT2034-192	TTG27	
80	E	08/92	12/99	5, V6	2.3L-2.8L	AAH,ABC,NG	—	TT304-192	TTG33	
90	Quattro, Sport	09/89	07/92	5	2.3L	7A,NG	—	TT304-192	TTG33	
100	GL, LS, S	03/70	12/76	4	1.8L,1.9L	59,ZJ	TT272-180		TTG28	
100		12/83	02/85	5	2.1L	KF	—	TT247-192	TTG33	
100		01/88	11/94	5, V6	2.2L-2.8L		—	TT304-192	TTG33	
200	Turbo	05/82	12/90	5	2.1L,2.2L	KG,KJ,MC	—	TT304-192	TTG33	
A3	Inc. Turbo	05/97	05/04	4	1.6L,1.8L	AEH,AGN,AGU	TT1-192	TT2000-192	TTG28	
A3		01/99	01/02	4	1.6L	AKL	TT1-190	TT2000-190	TTG27	
A3	8L - Inc. Turbo	01/00	01/03	4	1.8L	APG,AUM	TT1-190	TT2000-190	TTG27	
A3	8L	01/01	01/03	4	1.6L	AVU,BFQ	TT596-221		INC	
A3	Inc. Turbo	01/04	05/07	4	2.0L	AXW,BMB,BLR, BLX,BLY	TT569-228		INC	
A3		06/04	12/10	4	1.6L	BGU,BSE	TT1-190	TT2000-190	TTG27	
A3	Inc. Quattro	06/04	12/10	V6	3.2L	BDB	—	TT274-180 TT304-180	TTG31 TTG33	Check illustrations for correct application
A3	Turbo	07/04	01/09	4	2.0L	AXX,BWA	TT580-189		INC	
A3		02/05	01/09	V6	3.2L	BMJ,BUB	—	TT304-180	TTG33	
A3	8P	01/06	01/07	4	2.0L	BVY	TT597-189		INC	
A3	8P - Inc. Turbo	06/07	12/10	4	1.8L	BYT,BZT	TT1743-203		INC	
A3	8P - Turbo	01/08	12/10	4	2.0L	CAWB	TT1743-203		INC	
A3	Sportsback 1.4	12/08	12/10	4	1.4L	CAXC	TT1745-181		INC	
A3	8P - Turbo	01/09	12/10	4	1.8L,2.0L	CDA,CCZ	TT1742-203		INC	
A3 (Diesel)		01/08	01/09	4	1.9L	BLS	TT234-192	TT2034-192	TTG27	
A3 (Diesel)	TDI	06/04	12/10	4	2.0L	BKD,BMN,CBB, CBA	TT1-190	TT2000-190	TTG27	
A4	Inc. Turbo	08/95	06/01	4	1.8L	ADR,AEB,AJL	TT1-192	TT2000-192	TTG28	
A4	Inc. Quattro	08/95	03/05	V6	2.4L-2.8L	ABC,ACK,AGA, APR,APS,ASJ	—	TT304-192	TTG33	
A4	B5 - Inc. Turbo	01/99	01/02	4	1.8L	APT,APU	TT1-190	TT2000-190	TTG27	
A4	Inc. Turbo	01/01	08/08	4	1.8L,2.0L	ALT,AVJ,BEX, BFB	TT601-212		INC	
A4	Inc. Turbo	01/05	08/08	4	2.0L	BGB,BUL	TT576-189		INC	

Make and Model		Year		Engine			Part Number			Notes
		Start	Finish	Cyl	Size	Model	Standard Thermostat	High Flow Thermostat	Gasket	
Audi cont.										
A4	B6, B7	01/05	03/08	V6	3.2L	AUK	TT506-190		INC	
A4		03/08	12/10	4	1.8L,2.0L	CAB,CDHB,CDNB	TT1742-203		INC	
A4 (Diesel)	Turbo Diesel	01/05	08/08	4	2.0L	BRE	TT576-189		INC	
A4 (Diesel)	Turbo Diesel - B7	10/05	03/08	4	2.0L	BLB	TT234-192	TT2034-192	TTG27	
A4 (Diesel)	Turbo Diesel	01/05	03/08	V6	3.0L	ASB,BKN	TT578-189		INC	
A5	Inc. Quattro	05/09	12/10	4	2.0L	CDNC	TT1742-203		INC	
A6	Inc. Turbo	11/94	03/04	V6, V8	2.6L-4.2L	ABC,ACK,ACZ,ANK,APR,APS,ARS,BDV	—	TT304-192	TTG33	
A6	Inc. Quattro	11/97	10/04	V6	2.4L	AGA	—	TT304-192	TTG33	
A6		11/04	02/09	V6	2.4L,3.2L	AUK,BDW	TT506-190		INC	
A6		09/06	02/09	4	2.0L	BPJ	TT576-189		INC	
A6 (Diesel)	Inc. Turbo	11/04	12/10	V6	2.7L,3.0L	ASB,BPP,BMK	TT578-189		INC	
A8		05/95	11/00	V6, V8	2.8L-4.2L	AAH,ABZ,ACK,AEW	—	TT304-192	TTG33	
A8		11/00	12/02	V8	4.2L	AQF	—	TT302-180	TTG33	
A8		08/03	12/10	V8	3.7L,4.2L	BFL,BFM	—	TT304-180	TTG33	
A8		11/06	01/08	V6	3.2L	BPK	TT506-190		INC	
A8 (Diesel)	TDI	04/08	12/10	V6	3.0L	ASB	TT578-189		INC	
Allroad Quattro (Diesel)		05/02	06/06	V6	2.5L,2.7L	AKE,BES	—	TT304-192	TTG33	
Allroad (Diesel)	C6	01/07	01/08	V6	3.0L	ASB	TT578-189		INC	
Fox		12/73	02/79	4	1.5L,1.6L	FS,ZC	TT234-180	TT2034-180	TTG28	
Q5	8R - Turbo	03/09	12/10	4	2.0L	CDNC	TT1742-203 TT1743-203		INC INC	Check illustrations for correct application
Q7 (Diesel)	TDI	09/06	12/10	V6	3.0L	BUG	TT578-189		INC	
RS6	C5 - Twin Turbo	01/03	01/04	V8	4.2L	BCY	—	TT304-180	TTG33	
S2	Turbo	10/93	04/96	5	2.2L	AAN	—	TT247-192	TTG33	
S3	Turbo	11/99	03/02	4	1.8L	APY	TT1-192	TT2000-192	TTG28	
S3	Inc. Turbo	01/00	06/05	4	1.8L	AMK,BAM	TT1-190	TT2000-190	TTG27	
S4	Turbo	07/93	02/95	5	2.2L	AAN	—	TT247-192		
S4	Turbo	01/98	08/03	V6	2.7L	ABG,AZB	—	TT304-192	TTG33	
S6		02/01	12/04	V8	4.2L	AQJ	—	TT304-192	TTG33	
S8		07/98	08/03	V8	4.2L	AHC	—	TT304-192	TTG33	
TT	Inc. Turbo	01/99	10/06	4	1.8L	APP,AJQ,AUM,AUQ,BAM,BVP,BVR	TT1-190	TT2000-190	TTG27	
TT	Inc. Turbo	05/99	08/05	4	1.8L	APX,ARY	TT1-192	TT2000-192	TTG27	
TT	Inc. S-line and Turbo	01/00	10/06	4	1.8L	AUM,AUQ,BVP,BVR	TT1-174		TTG27	
TT		05/00	01/03	4	1.8L	APX	TT1-190	TT2000-190	TTG28	
TT	Inc. S-line	01/04	12/10	V6	3.2L	BHE,BPF,BUB	—	TT304-180	TTG33	
TT	Inc. S-line	12/04	07/05	V6	3.2L	BPF	—	TT274-180	TTG31	
TT	Inc. S-line	08/05	10/06	V6	3.2L	BPF	—	TT304-180	TTG33	
TT	Turbo	11/06	06/08	4	2.0L	BWA	TT580-189		INC	
TT	Inc. Turbo	07/09	12/10	4	1.8L,2.0L	CCZA,CDAA	TT1742-203		INC	
TT	TDI	07/09	12/10	4	2.0L	CBBB	TT1-190	TT2000-190	TTG27	
V8	Quattro	01/90	05/92	V8	3.6L	PTK	—	TT247-192	TTG33	
BMW										
116i	E87	02/05	02/08	4	1.6L	N45 B16	TT557-203		INC	
118d	E87	01/07	12/10	4	2.0L	N47	TT1636-190		INC	
118d	E88	01/09	12/10	4	2.0L	N47	TT544-189		INC	
118i	E87	09/04	12/10	4	2.0L	N46 B20	TT572-221		INC	
118i	E88	01/09	12/10	4	2.0L	N43 B20	TT568-217		INC	
120d	E87	05/06	12/10	4	2.0L	M47	TT1636-190		INC	
120i	E87 - E88	09/04	12/10	4	2.0L	N46 B20	TT572-221		INC	
123d	E82 - E88	11/09	12/10	4	2.0L	N47	TT544-189		INC	
125i	E88	01/08	01/09	6	3.0L	N52 B30	TT568-217		INC	
130i	E87	03/07	12/10	6	3.0L	N52	TT568-217		INC	
135i	E88 - Twin Turbo	01/08	12/10	6	3.0L	N54 B30	TT568-217		INC	
1600 - 1800	E10	05/67	07/73	4	1.6L-1.8L		TT260-180P		INC	
2000 - 2002	E10	05/67	09/75	4	2.0L		TT260-180P		INC	
2500 - 2800	E3	01/69	06/75	6	2.5L-2.8L		-	TT246-180	TTG33	

Vehicle Application List

Make and Model		Year		Engine			Part Number			Notes
		Start	Finish	Cyl	Size	Model	Standard Thermostat	High Flow Thermostat	Gasket	
BMW cont.										
3.0	E3	01/70	12/78	6	3.0L		—	TT246-180	TTG33	
3.3L(i)	E3	08/74	12/75	6	3.1L		—	TT246-180	TTG33	
316i	E36	01/94	04/99	4	1.6L	M43 B16	TT394-203P		INC	
316i	E36 - E46	04/99	05/01	4	1.9L	M43	TT550-221P		INC	
316Ti	E46	10/01	07/05	4	1.8L	N42 B18	TT572-221		INC	
318Ci	E46	01/00	01/02	4	1.9L	M44 B19	TT572-221		INC	
318i	E21	03/80	04/83	4	1.8L	M10	TT260-180P		INC	
318i	E30	05/83	10/87	4	1.8L	M10	TT260-180P		INC	
318i	E30	11/88	03/91	4	1.8L	M40	—	TT274-192	TTG33	
318i	E36	04/91	05/96	4	1.8L	M40	—	TT274-198	TTG33	
318i	E36	01/94	08/98	4	1.8L	M43 B18	TT394-203P		INC	
318i	E46	09/98	04/05	4	1.9L	M43	TT550-221P		INC	
318i	E46	01/01	12/01	4	2.0L	N42 B20	TT557-203		INC	
318i	E46	01/02	01/05	4	2.0L	N42,N46	TT572-221		INC	
318iS	E30	07/90	03/91	4	1.8L	M42 B18	—	TT274-192	TTG33	
318iS	E36	06/93	12/96	4	1.8L	M42 B18	—	TT274-198	TTG33	
318iS	E36	06/96	10/99	4	1.8L	M43	TT394-203P		INC	
318iS	E36	06/96	10/99	4	1.9L	M44 B19	TT1427-203P		INC	
318Ti	E36 (NZ only)	01/94	01/97	4	1.8L	M44 B18	TT1427-203P		INC	
318Ti	E36	06/96	12/99	4	1.9L	M44 B19	TT1427-203P		INC	
318Ti	E46	10/01	07/05	4	2.0L	N46 B20	TT572-221		INC	
320	E21	03/76	03/80	4	2.0L	M10	—	TT248-180	TTG33	
320Ci	E46	11/00	02/07	6	2.2L	M54	TT467-206P		INC	
320d	E90 - E93	01/05	12/10	4	2.0L	M47,N47	TT544-189		INC	
320d	E91 (NZ only)	01/05	01/08	4	2.0L	M47 D20	TT1636-190		INC	
320i	E21	03/76	06/79	4	2.0L	M10	TT260-180P		INC	
320i	E30	02/88	03/90	6	2.0L	M20	—	TT274-180	TTG33	
320i	E36	04/91	11/95	6	2.0L	M50	— — —	TT274-180 TT274-192 TT274-198	TTG33 TTG33 TTG33	Check original thermostat temperature for correct application
320i	E46	10/00	04/05	6	2.2L	M54	TT467-206P		INC	
320i	E46	01/04	01/05	6	2.0L	M52 B20	TT467-206P		INC	
320i	E90 - E93	01/05	12/10	4	2.0L	N42,N46	TT572-221		INC	
323Ci	E46	06/99	10/00	6	2.5L	M52 B25	TT467-206P		INC	
323Ci	E92	01/06	01/08	6	2.5L	N52 B25	TT568-217		INC	
323i	E21	06/79	04/83	6	2.3L	M20 B23	—	TT247-180	TTG33	
323i	E30	03/82	12/85	6	2.3L	M20 B23	—	TT247-180	TTG33	
323i	E36	01/96	08/98	6	2.5L	M52	—	TT274-198	TTG33	
323i	E46	09/98	10/00	6	2.5L	M52 B25	TT467-206P		INC	
323i	E90 - E92	06/06	12/10	6	2.5L	N52 B25	TT568-217		INC	
325Ci	E46	05/04	02/07	6	2.5L	M54	TT467-206P		INC	
325D	E90 - Turbo Diesel	01/09	12/10	6	3.0L	N57 D30	TT1636-190		INC	
325e	E30	01/86	12/87	6	2.7L	M20 B27	—	TT274-180	TTG33	
325i	E30	01/88	03/91	6	2.5L	M20 B25	—	TT274-180	TTG33	
325i	E36	01/91	05/95	6	2.5L	M50 B25	— —	TT274-192 TT274-198	TTG33 TTG33	Check original thermostat temperature for correct application
325i	E46	10/00	01/04	6	2.5L		TT467-206P		INC	
325i	E90 - E93	01/05	12/10	6	2.5L	N52 B25	TT568-217		INC	
325iS	E30	01/88	03/90	6	2.5L	M20	—	TT246-180	TTG33	
325Ti	E46	05/02	02/03	6	2.5L	M54	TT467-206P		INC	
328Ci	E46	06/99	02/07	6	2.8L	M52 B28	TT467-206P		INC	
328i	E36	01/95	12/99	6	2.8L	M52 B28	— —	TT274-192 TT274-198	TTG33 TTG33	Check original thermostat temperature for correct application
328i	E46 - Sedan	09/98	10/00	6	2.8L	M52 B28	TT467-206P		INC	
330Ci	E46	09/00	02/07	6	3.0L	M54	TT467-206P		INC	
330d	E90 - E91	01/05	12/10	6	3.0L	M57 D30	TT1636-190		INC	
330d	E90	06/09	12/10	6	3.0L	N57 D30	TT544-189		INC	
330d	E92 - E93	11/09	12/10	6	3.0L	N57 D30	TT544-189		INC	
330i	E46	09/00	05/05	6	3.0L	M54	TT467-206P		INC	
330i	E90 - E91	01/05	12/10	6	3.0L	N52 B30	TT568-217		INC	
335d	E90	01/07	12/10	6	3.0L	N57 D30	TT1636-190		INC	

Make and Model		Year		Engine			Part Number			Notes
		Start	Finish	Cyl	Size	Model	Standard Thermostat	High Flow Thermostat	Gasket	
BMW cont.										
335i	E90 - E93 Incl. M Series	10/06	12/10	6	3.0L	N54 B30A	TT568-217		INC	
520(i)	E12	05/73	12/78	4	2.0L	M10	—	TT248-180	TTG33	
520d	E60 - Diesel	12/07	06/10	4	2.0L	N47 D	TT1636-190		INC	
520d	F10	06/10	12/10	4	2.0L	N47	TT544-189		INC	
520i	E28	03/83	12/85	6	2.0L	M20	—	TT274-180	TTG33	
520i	E34	11/90	03/96	6	2.0L	M50	— — —	TT274-180 TT274-192 TT274-198	TTG33 TTG33 TTG33	Check original thermostat temperature for correct application
523i	E39	04/96	09/98	6	2.5L	M52 B25	—	TT274-198	TTG33	
523i	E39	10/98	11/00	6	2.5L	M52 B25	TT467-206P		INC	
523i	E60	03/07	06/10	6	2.5L	N52 N	TT568-217		INC	
525	E12	03/74	08/75	6	2.5L		—	TT246-180	TTG31	
525d	E60	01/07	12/10	6	3.0L	M57 D30	TT1636-190		INC	
525e	E28	01/86	08/88	6	2.7L	M20 B27	—	TT248-180	TTG33	
525i	E34	09/88	10/90	6	2.5L	M20 B25	—	TT274-180	TTG33	
525i	E34	11/90	03/96	6	2.5L	M50	— —	TT274-192 TT274-198	TTG33 TTG33	Check original thermostat temperature for correct application
525i	E39	01/01	10/03	6	2.5L	M54	TT467-206P		INC	
525i	E60	09/03	06/10	6	2.5L	N52 B25	TT568-217		INC	
528(i)	E12	07/75	12/83	6	2.8L		—	TT246-180	TTG33	
528i	E28	11/83	12/85	6	2.8L	M30 B28	—	TT247-180	TTG33	
528i	E39	04/96	11/00	6	2.8L	M52 B28	—	TT274-198	TTG33	
528i	F10	06/10	12/10	6	3.0L	N52 B30	TT568-217		INC	
530d	E60 - E61	01/03	06/10	6	3.0L	M57	TT1636-190		INC	
530d GT	F07	02/10	12/10	6	3.0L	N57 D30	TT544-189		INC	
530i	E34	04/93	03/96	V8	3.0L	M60 B30	—	TT288-185	TTG75	
530i	E39	01/01	04/04	6	3.0L	M54	TT467-206P		INC	
530i	E60	09/03	05/05	6	3.0L	M54 30S3	TT467-206P		INC	
530i	E60 - E61	03/05	12/10	6	3.0L	N52	TT568-217		INC	
535d	E60 - E61	01/05	12/10	6	3.0L	M57 D30	TT1636-190		INC	
535i	E28, E34	01/86	05/93	6	3.4L	M30 B35	—	TT274-180	TTG33	
535i	E39	10/96	09/98	V8	3.5L	M62	TT467-217P		INC	
535i	E39	10/98	10/03	V8	3.5L	M62	TT468-221P		INC	
535iS	E34	06/89	12/90	6	3.4L	M30 B35	—	TT274-180	TTG33	
540i	E34	04/93	03/96	V8	4.0L	M60 B40	—	TT288-185 TT288-203	TTG75 TTG75	Check original thermostat temperature for correct application
540i	E39	10/96	09/98	V8	4.4L	M62 B44	TT467-217P		INC	
540i	E39	10/98	11/00	V8	4.4L	M62 B44	TT468-221P		INC	
540i	E60	10/05	06/08	V8	4.0L	N62 B40	TT606-221		INC	
545i	E60	01/04	10/05	V8	4.4L	N62 B44	TT606-221		INC	
550i	E60 - E61	11/05	06/10	V8	4.8L	N62 B48	TT606-221		INC	
550i	F10	06/10	12/10	V8	4.4L	N63 B44	TT606-221		INC	
550i GT	F07	02/10	12/10	V8	4.4L	N63 B44	TT606-221		INC	
633CSi	E24	03/77	12/80	6	3.2L	M30 B32	-	TT246-180	TTG33	
633CSi	E24	05/86	09/89	6	3.4L	M30 B35	-	TT274-180	TTG33	
645Ci	E63 - E64	05/04	10/05	V8	4.4L	N62 B44	TT606-221		INC	
650Ci	E63	11/05	01/08	V8	4.8L	N62 B48	TT606-221		INC	
650i	E63 - E64	01/08	12/10	V8	4.8L	N62 B48	TT606-221		INC	
730d	F01	05/09	12/10	6	3.0L	N57 D30	TT544-189		INC	
730i	E32	11/90	05/93	6	3.0L	M30 B30	—	TT274-180	TTG33	
730iL	E32	11/92	10/94	6	3.0L	M30 B30	—	TT274-180	TTG33	
730iL	E38	11/94	05/96	V8	3.0L	M60 B30	— —	TT288-185 TT288-203	TTG75 TTG75	Check original thermostat temperature for correct application
730Ld	E66	01/07	12/10	6	3.0L	M57 D30	TT1636-190		INC	
733i	E23	02/78	04/83	6	3.2L	M30 B32	—	TT246-180	TTG33	
735i	E23 - E32	03/85	12/90	6	3.4L	M30 B35	—	TT274-180	TTG33	
735i	E38	10/98	12/00	V8	3.5L	M62	TT468-221P		INC	
735i	E65	01/02	05/05	V8	3.6L	N62 B	TT606-221		INC	
735iL	E32	10/88	11/92	6	3.4L	M30 B35	—	TT274-180	TTG33	
735iL	E38	08/96	09/98	V8	3.5L	M62	TT467-217P		INC	
735iL	E38	10/98	12/00	V8	3.5L	M62	TT468-221P		INC	

Vehicle Application List

Make and Model		Year		Engine			Part Number			Notes
		Start	Finish	Cyl	Size	Model	Standard Thermostat	High Flow Thermostat	Gasket	
BMW cont.										
735Li	E66 - LWB	07/02	05/05	V8	3.6L	N62 B36	TT606-221		INC	
740i	E65	06/05	11/09	V8	4.0L	N62 B	TT606-221		INC	
740iL	E32 - E38	11/92	06/96	V8	4.0L	M60 B40	— —	TT288-185 TT288-203	TTG75 TTG75	Check original thermostat temperature for correct application
740iL	E38	07/96	09/98	V8	4.4L	M62 B44	TT467-217P		INC	
740iL	E38	10/98	12/00	V8	4.4L	M62 B44	TT468-221P		INC	
740Li	E66	06/05	02/09	V8	4.0L	N62 B	TT606-221		INC	
745Li	E66 - LWB	07/02	03/05	V8	4.4L	N62 B44	TT606-221		INC	
750i	E65	06/05	02/09	V8	4.8L	N62 B	TT606-221		INC	
750i	F01	03/09	12/10	V8	4.4L	N63 B44	TT606-221		INC	
750iL	E32	01/88	10/94	V12	5.0L	M70 B50	— —	TT288-174 TT288-185	TTG75 TTG75	Check original thermostat temperature for correct application
750iL	E38	11/94	12/00	V12	5.4L	M73 B54	—	TT288-185	TTG75	
750Li	E66	06/05	02/09	V8	4.8L	N62 B	TT606-221		INC	
750Li	F02	03/09	12/10	V8	4.4L	N63 B44	TT606-221		INC	
760i	F02	01/09	12/10	V12	6.0L	N74 B60	TT606-221		INC	
760Li	E66	04/03	02/09	V12	6.0L	N73 B60	TT606-221		INC	
760Li	F02	12/09	12/10	V12	6.0L	N74 B60	TT606-221		INC	
840Ci	E31	08/96	06/00	V8	4.4L	M62 B44	—	TT288-185	TTG75	
840i	E31	11/93	07/96	V8	4.0L	M60 B40	— —	TT288-185 TT288-203	TTG75 TTG75	Check original thermostat temperature for correct application
850Ci	E31	03/93	12/94	V12	5.0L	M70	—	TT288-185	TTG75	
850i	E31	07/90	12/92	V12	5.0L	M70	—	TT288-185	TTG75	
M3	E36 - E46	06/94	03/08	6	3.0L-3.2L	S50,S54	TT405-174P		TTG33	
M5	E34	07/90	05/93	6	3.5L	S38 B36	—	TT274-180	TTG33	
M5	E39	03/99	10/03	V8	4.9L	S62 B50	TT459-174P		INC	
M535i	E28	01/86	08/88	6	3.4L	M30 B35	—	TT274-180	TTG33	
X1	E84 - 18i	04/10	12/10	4	2.0L		TT572-221		INC	
X1	E84 (20d - 23d)	04/10	12/10	4	2.0L	N47 D20C	TT544-189		INC	
X1	E84 - 25i	04/10	12/10	6	3.0L	N52 B30	TT568-217		INC	
X3	E83 - 2.0d (NZ only)	01/05	12/10	4	2.0L	M47	TT572-221		INC	
X3	E83 - 2.0d	12/07	12/10	4	2.0L	N47 D	TT1636-190		INC	
X3	E83 - 2.5i	06/04	12/10	6	2.5L	M54	TT467-206P		INC	
X3	E83 - 2.5si	12/06	10/08	6	2.5L	N52 B	TT568-217		INC	
X3	E83 - 3.0d	11/05	12/10	6	3.0L	M57	TT1636-190		INC	
X3	E83 - 3.0i	06/04	12/10	6	3.0L	M54	TT467-206P		INC	
X3	E83 - 3.0si	12/06	10/08	6	3.0L	N52 B	TT568-217		INC	
X5	E53 - 3.0d	03/03	12/03	6	3.0L	M57	TT571-190		INC	
X5	E53 - 3.0d	01/04	02/07	6	3.0L	M57	TT1636-190		INC	
X5	E53 - 3.0i	03/01	02/07	6	3.0L	M54 B30	TT467-206P		INC	
X5	E53 - 4.4i	11/00	02/07	V8	4.4L	N62 B44	TT606-221		INC	
X5	E53 - 4.6is	02/02	10/03	V8	4.6L	M62 B46	TT468-221P		INC	
X5	E53 - 4.8is	01/04	02/07	V8	4.8L	M62	TT606-221		INC	
X5	E70 - 3.0d & xDRIVE 30d, 35d	03/07	05/10	6	3.0L	M57	TT1636-190		INC	
X5	E70 - xDRIVE 30d, 40d	06/10	12/10	6	3.0L	N57 D30	TT544-189		INC	
X5	E70 - xDRIVE 50i SPORT	12/09	12/10	V8	4.4L	N63 B44A	TT606-221		INC	
X5	E70 - 4.8i	03/07	10/08	V8	4.8L	N62 B48B	TT606-221		INC	
X5 (M)	E70	12/09	12/10	V8	4.4L	S63 B44	TT606-221		INC	
X6	E71 - XDRIVE 35d	07/08	12/10	6	3.0L	M57 D30	TT1636-190		INC	
X6	E71 - XDRIVE 50i	03/09	12/10	V8	4.4L	N63 B44	TT606-221		INC	
X6 (M)	E71	12/09	12/10	V8	4.4L	S63 B44	TT606-221		INC	
Z3	E36 - 1.9	01/97	06/99	4	1.9L	M44 B19	TT1427-203P		INC	
Z3	E36 - 2.0	06/99	10/00	6	2.0L	M52 B	TT467-206P		INC	
Z3	E36 - 2.8	04/97	09/98	6	2.8L	M52 B28	—	TT274-198	TTG33	
Z3	E36 - 2.8	09/98	09/03	6	2.8L	M52 B28	TT467-206P		INC	
Z3	E36 - 3.2	09/98	07/03	6	3.2L	S50 B32	TT405-174P		TTG33	
Z3 (M)	E36 - 3.2	09/98	07/03	6	3.2L	S50 B32	TT405-174P		TTG33	
Z4	E85 - 2.5i, 2.5si	07/03	04/09	6	2.5L	N52,M54	TT467-206P		INC	
Z4	E85 - 3.0i	07/03	03/06	6	3.0L	M54	TT467-206P		INC	

Make and Model		Year		Engine			Part Number			Notes
		Start	Finish	Cyl	Size	Model	Standard Thermostat	High Flow Thermostat	Gasket	
BMW cont.										
Z4	E85 - 3.0si	04/06	04/09	6	3.0L	N52	TT568-217		INC	
Z4 (M)	E85	04/06	04/09	6	3.2L		TT405-174P		TTG33	
Z4	E89 - sDRIVE 23i	05/09	12/10	6	2.5L	N52 B25	TT568-217		INC	
Z4	E89 - sDRIVE 30i	05/09	12/10	6	3.0L	N52 B30	TT568-217		INC	
Z4	E89 - sDRIVE 35i(s)	05/09	12/10	6	3.0L	N54 B30	TT568-217		INC	
Chrysler										
300C		11/05	12/10	V8	5.7L	EZB	TT420-195		INC	
300C	SRT8	04/06	12/10	V8	6.1L	ESF	TT420-195		INC	
Centura	KB	04/75	06/77	4	2.0L		TT6-180	TT2001-180	TTG25	
Centura	KB	04/75	02/76	6	3.5L	Hemi	TT1-192	TT2000-192	TTG4	
Centura	KB	04/75	03/77	6	4.0L	Hemi	TT1-180	TT2000-180	TTG4	
Centura	KC	04/77	06/78	6	4.0L	Hemi	TT1-192	TT2000-192	TTG4	
Crossfire	ZH - Inc. SRT6	10/03	01/09	V6	3.2L	EGX	TT458-192P		INC	
Galant	GA - GD	08/71	06/77	4	1.3L-1.6L		TT6-180	TT2001-180	TTG25	
Grand Voyager	RT	01/08	12/10	V6	3.8L	8B	TT340-195		INC	
Lancer	LA - LC	09/74	08/81	4	1.4L-1.6L		TT6-180	TT2001-180	TTG25	
Neon	JA - JB	07/96	09/02	4	2.0L		TT340-195		INC	
PT Cruiser		08/00	06/10	4	2.0L-2.4L		TT340-195		INC	
Sebring	JS	05/07	12/10	4	2.4L	8N	TT340-195		INC	
Sebring	JS	12/07	12/10	V6	2.7L	8N	TT449-190			
Valiant		01/62	05/70	6	225ci	SLANT	TT1-180	TT2000-180	TTG4	
Valiant	VF - VK	03/69	12/76	6	3.5L-4.3L	Hemi	TT1-180	TT2000-180	TTG4	
Valiant	CL - CM	11/76	06/81	6	4.0L-4.3L	Hemi	TT1-192	TT2000-192	TTG4	
Valiant	VC - VK	01/65	12/76	V8	4.5L-5.9L	Hemi	TT2-160		TTG36	
Valiant	CL - CM	11/76	06/81	V8	5.2L	Hemi	TT2-195		TTG36	
Voyager	GS	02/97	06/01	V6	3.3L	EGA	TT340-195		INC	
Voyager	RG	06/01	03/08	V6	3.3L	EGA	TT465-195			
Citroen										
AX	1.4 GT	01/91	12/93	4	1.4L	TU3/KDZ	TT276-180		TTG11	
Berlingo	1.4 - M49	07/99	09/03	4	1.4L	TU3JP	TT525-192		INC	
Berlingo	1.4 - M59	10/03	12/10	4	1.4L	TU3JP	TT438-192P		INC	
Berlingo	1.6 - M59 HDI	02/08	12/08	4	1.6L		TT574-181		INC	To Chassis No 11166
Berlingo	1.6 - M59 HDI	02/08	12/08	4	1.6L		TT616-181		INC	From Chassis No 11167
Berlingo	1.6 - B9C HDI	03/09	12/10	4	1.6L	DV6AUTED	TT616-181		INC	
Berlingo	1.6 - B9C	03/09	12/10	4	1.6L		TT618-195		INC	
BX16	TRS	01/86	04/88	4	1.6L	XU7/CT29	TT276-180		TTG49	
BX19		01/86	03/90	4	1.9L	XU9	—	TT249-180	TTG31	
BX19		12/88	02/94	4	1.9L	XU9J4	—	TT249-180	TTG31	
C2	VTR - A6	01/04	12/08	4	1.6L	TU5JP4	TT525-192		INC	
C2	VTS	07/06	12/08	4	1.6L	TU5JP4S	TT618-195		INC	From Chassis No 10402
C3		12/02	01/06	4	1.4L	TU3JP	TT1308-186P		INC	
C3		02/06	03/09	4	1.4L	TU3JP	TT525-192		INC	
C3	Sensodrive, Panoramique	08/03	12/10	4	1.6L	TU5JP4	TT1308-186P		INC	To Chassis No 10401
C3	Exclusive	02/06	05/10	4	1.6L	TU5JP4	TT618-195		INC	
C3	1.6 HDI	10/07	03/09	4	1.6L	DV6ATED4	TT574-181		INC	To Chassis No 11045
C3	1.6 HDI	10/07	03/09	4	1.6L	DV6ATED4	TT616-181		INC	From Chassis No 11046
C4	1.6, 1.6 VTR	04/05	02/09	4	1.6L	TU5JP4	TT438-192P		INC	To Chassis No 10436
C4	1.6, 1.6 VTR	04/05	02/09	4	1.6L	TU5JP4	TT618-195		INC	From Chassis No 10437
C4	1.6 HDI	01/06	12/10	4	1.6L	DV6ATED4	TT574-181		INC	To Chassis No 11166
C4	1.6 HDI	01/06	12/10	4	1.6L	DV6ATED4	TT616-181		INC	From Chassis No 11167
C4	2.0, 2.0 VTR	03/05	02/09	4	2.0L	EW10A	TT570-221		INC	
C4	2.0 VTS	03/05	02/09	4	2.0L	EW10J4S	TT443-192P		INC	
C4	2.0 HDI	02/08	12/10	4	2.0L	DW10BTED	TT566-183		INC	To Chassis No 10289
C4	2.0 HDI	02/08	12/10	4	2.0L	DW10BTED	TT584-183		INC	From Chassis No 10290
C4	Picasso	05/07	04/10	4	2.0L	EW10A	TT570-221		INC	To Chassis No 11073
C4	Picasso	05/07	04/10	4	2.0L	EW10A	TT443-192P		INC	From Chassis No 11074
C4	Picasso - HDI	05/07	12/10	4	2.0L	DW10BTED	TT584-183		INC	
C5	2.0	06/01	07/05	4	2.0L	EW10J4	TT443-192P		INC	
C5	2.0	04/05	02/09	4	2.0L	EW10A	TT443-192P		INC	Check illustrations & specs for correct application (89°C)

Vehicle Application List

Make and Model		Year		Engine			Part Number			Notes
		Start	Finish	Cyl	Size	Model	Standard Thermostat	High Flow Thermostat	Gasket	
Citroen cont.										
C5	2.0	04/05	02/09	4	2.0L	EW10A	TT570-221		INC	Check illustrations & specs for correct application (105°C)
C5	3.0 V6	06/01	08/08	V6	3.0L		TT8700-180P			
C5	2.0 HDI	06/01	07/05	4	2.0L	DW10ATED	TT228-180	TT2028-180	TTG49	
C5	2.0 HDI - II SX	06/06	08/08	4	2.0L	DW10BTED	TT566-183		INC	To Chassis No 10338
C5	2.0 HDI - II SX	06/06	08/08	4	2.0L	DW10BTED	TT584-183		INC	From Chassis No 10339
C5	2.0 HDI - X7	09/08	01/10	4	2.0L	DW10BTED	TT584-183		INC	
C5	2.2 HDI - Twin Turbo	03/07	08/08	4	2.2L	DW12BTED	TT1747-181		INC	
C5	2.7 V6 - HDI	09/08	01/10	V6	2.7L	DT17TED4	TT1685-190		INC	
C5	3.0 V6 - HDI	02/10	12/10	V6	3.0L	DT20C	TT1685-190		INC	
C6	V6	09/06	12/08	V6	3.0L		TT8700-180P			
C6	V6 - HDI	09/06	12/10	V6	2.7L	DT17TED4	TT1685-190		INC	
CX2200, CX2400	Carb	03/76	05/83	4	2.2L-2.3L		TT203-180	TT2003-180	TTG27 TTG29U	Check illustrations for correct application
CX25, CX25iE		07/84	12/85	4	2.5L		TT203-180	TT2003-180	TTG27 TTG29U	Check illustrations for correct application
D, DS21	Carb	01/67	12/75	4	2.0L,2.2L		TT238-170			
Dispatch	G9C	04/08	12/10	4	2.0L	DW10UTED	TT584-183		INC	
DS23	EFI	01/73	12/75	4	2.3L		TT238-170			
G, GS		01/72	12/78	4	1.0L,1.2L		TT208-180		TTG68	
Xantia	2.0 - incl Turbo	09/94	06/01	4	2.0L	XU10J2	TT276-180		TTG29U	
Xantia		03/96	06/01	4	2.0L	XU10J4R	TT1-180	TT2000-180	TTG11	
Xantia		01/98	06/01	V6	3.0L	ES9J4	TT8700-180P			
Xantia	Turbo Diesel	11/96	12/98	4	1.9L	XUD9TE	TT265-195	TT2065-195	TTG49	
XM		03/91	06/00	V6	3.0L	SFZ	—	TT249-180	TTG33	
XM	Y4	05/94	07/00	V6	3.0L	UFZ	—	TT551-172	TTG45	
Xsara	1.6i	02/00	12/00	4	1.6L	TU5JP4	TT276-192		TTG29U	To Chassis No 08210 with M/T
Xsara	1.6i	02/00	12/00	4	1.6L	TU5JP4	TT438-192P		INC	From Chassis No 08210
Xsara	1.6i	02/01	03/05	4	1.6L	TU5JP4	TT438-192P		INC	
Xsara	1.8i - SOHC	07/98	07/00	4	1.8L	XU7JP	TT276-180		TTG29U	
Xsara	1.8i - DOHC	07/98	06/00	4	1.8L	XU7JP4	TT1-180	TT2000-180	TTG11	
Xsara	2.0i	09/98	12/00	4	2.0L	XU10J4R	TT1-180	TT2000-180	TTG29U	
Xsara	2.0 - VTS	02/01	04/05	4	2.0L	XU10J4RS	TT1-180	TT2000-180	TTG11	
Xsara	2.0	02/01	10/03	4	2.0L	EW10J4	TT443-192P		INC	
Daewoo										
1.5	Racer	07/94	10/95	4	1.5L	G15MF	TT4-192	TT2002-192	TTG26	
Cielo		10/95	04/98	4	1.5L	15MF	TT4-192	TT2002-192	TTG26	
Cielo	Loadrunner	07/96	02/98	4	1.5L	G15MF	TT4-192	TT2002-192	TTG26	
Espero	CD	03/95	07/97	4	2.0L	C20LE	TT353-198P		INC	
Kalos	T200	03/03	01/05	4	1.5L	F15S	TT4-192	TT2002-192	TTG26	
Korando		02/98	07/98	4	2.3L	M161-97	TT352-192P		INC	
Korando	V6	11/98	06/00	6	3.2L	M162-99	—	TT248-192		
Lacetti	J200	08/03	01/05	4	1.8L	D-TEK	TT347-192P		INC	
Lanos	SE	08/97	03/03	4	1.5L	A15SM	TT4-192	TT2002-192	TTG26	
Lanos	SX	08/97	08/98	4	1.6L	A16DM	TT4-192	TT2002-192	TTG26	
Lanos	SX	09/98	03/03	4	1.6L	A16DM	TT582-189P		INC	
Leganza	V100	07/97	01/04	4	2.0L-2.2L		TT347-192P		INC	
Matiz	M100, M150	10/99	01/05	3	0.8L	F8CV	TT239-180		TTG15	
Musso	Y100	09/98	12/02	6	3.2L	M162-99	—	TT248-180	TTG33	
Musso	Y100 - Turbo Diesel	09/98	12/02	5	2.9L	OM602	—	TT251-185		
Nubira	J100	06/97	10/99	4	1.6L	A16DMS	TT4-192	TT2002-192	TTG26	
Nubira	J100, J150	05/98	08/03	4	2.0L	X20SED	TT347-192P		INC	
Tacuma	2000	11/00	01/05	4	2.0L	X20SED	TT347-192P		INC	
Daihatsu										
Applause	A101(B)	10/89	11/99	4	1.6L	HDE	TT328-170		TTG34	
Charade	G10 - G202(B)	04/80	03/98	3	1.0L	CB20, CB23, CB24	TT239-180		TTG14	
Charade	G11	03/84	05/87	3	1.0L	CB50,60	TT239-185		TTG63	
Charade	G100	06/87	10/88	3	1.0L	CB61T	TT239-180 TT533-174		TTG14 INC	Check illustrations for correct application
Charade	G102	10/88	07/93	4	1.3L	HCE	TT328-170		TTG34	
Charade	G200(B), G203	06/93	05/00	3, 4	1.0L-1.5L	HCE, HEE, CB24	TT242-170	TT2042-170	TTG14 TTG15	Check illustrations for correct application

Make and Model		Year		Engine			Part Number			Notes
		Start	Finish	Cyl	Size	Model	Standard Thermostat	High Flow Thermostat	Gasket	
Daihatsu cont.										
Charade	G203B	10/96	03/98	4	1.5L	HEE	TT328-170		TTG14	
Charade	G203C	05/98	06/00	4	1.5L	HEE	TT239-180		TTG15	
Charade	L251S	06/03	12/05	3	1.0L	EJ,DE	TT384-185		INC	
Copen	L880	10/03	12/05	4	0.6L	JB-DET	TT241-180	TT2041-180		
Cuore	L701	07/00	09/03	3	1.0L	EJDE	TT384-185		INC	
Delta	DV23	01/71	12/77	4	2.0L	5R	TT6-180	TT2001-180	TTG9	
Delta	SV17	01/72	12/76	4	1.6L	12R	TT6-180	TT2001-180	TTG4	
Delta	D23, 26 - Diesel	01/73	12/77	4	2.5L	DG	TT6-180	TT2001-180	TTG29U	
Delta	DV28, V10 - V119 Diesel	01/74	12/02	4	2.8L-3.4L		—	TT286-180P	TTG29U	
Delta	V20 - V35 Diesel & Petrol	01/79	12/84	4	2.0L-2.5L	5R,DG	TT6-180	TT2001-180	TTG9 TTG29U	Check illustrations for correct application
Delta	V67 - V109	11/84	01/99	4	2.0L,2.2L	3Y,4Y	TT214-180	TT2014-180	TTG40	
Delta Tipper	V138 - Diesel	12/04	12/06	4	3.0L	1KD-FTV	—	TT410-180	TTG29U	
F20, F25		01/78	06/84	4	1.6L	12R	TT240-180	TT2040-180	TTG29U	
F50	Diesel	01/78	05/82	4	2.5L	DG	TT6-180	TT2001-180	TTG9	
F55	Diesel	02/80	05/82	4	2.5L	DG	TT6-180	TT2001-180	TTG9	
F60, F65	Diesel	01/83	06/84	4	2.8L	DL	—	TT286-180P	TTG29U	
Feroza	F300, F310	10/88	01/99	4	1.6L	HDE	TT328-170		TTG11 TTG40	Check illustrations for correct application
Handi Van	L55, L60	05/81	08/83	2	0.5L,0.6L	AD10,AB30	TT240-192	TT2040-192	TTG29U	
Handi Van	L80	03/86	12/90	3	0.8L	ED10	TT327-180		TTG29U	
Handi Van	L500	02/95	12/96	3	0.6L	EFEL	TT239-180			
Handi Van	L600	01/96	12/99	3	0.6L		TT239-192		TTG15	
Handi Van	L701	03/99	04/02	3	1.0L	EJ	TT384-185		INC	
Hi Jet	S70	07/82	02/84	3	0.8L	CD20	TT239-180		TTG29U	
Hi Jet	S75, 76	03/84	06/86	3	1.0L	CB22,CB41	TT239-185		TTG29U	
Hi Jet	S85	10/87	06/90	3	1.0L	CB	TT239-185		TTG29U	
Mira	L200, 201	11/90	04/95	3	0.6L,0.8L	ED10,EFEL	TT327-180		TTG29U	
Mira	L20V	11/90	12/92	3	0.8L	ED10	TT240-180	TT2040-180	TTG29U	
Mira (Cuore)	L500 - Centro	03/95	12/99	3	0.6L	FEEL,EFGL	TT239-180		TTG57	
Move	L601	02/97	01/99	3	0.8L	ED-20	TT239-192			
Pyzar	G301, G303	02/97	07/00	4	1.5L,1.6L	HDEP,HEEG	TT328-170			
Rocky	F70 - F78 Diesel Inc. Turbo	01/84	01/99	4	2.8L	DL,T	—	TT286-180P	TTG29U	
Rocky	F80 - F87	06/84	01/89	4	2.0L	3Y-C,E	TT214-180	TT2014-180	TTG47	
Sirion	M100	07/98	02/05	3	1.0L	EJDE	TT384-185		INC	
Sirion	M101, M300	09/00	12/05	4	1.3L	K3-VE	—	TT412-176	TTG34	
SV17		01/74	12/76	4	1.6L	12R	TT6-180	TT2001-180		
Terios		07/97	10/00	4	1.3L	HC-EJ	TT328-170			
Terios		10/00	12/06	4	1.3L	K3-VE	—	TT412-176	TTG34	
YRV	M201	07/01	12/04	4	1.3L	K3-VE	—	TT412-176	TTG34	
Dodge										
Avenger	JS	08/07	07/09	4	2.0L, 2.4L		TT657-203 TT658-170		INC INC	2 thermostats in housing to be replaced together
Avenger	JS - V6	09/08	12/10	V6	2.7L		—	TT449-190		
Journey	JC	09/08	12/10	V6	2.7L		—	TT449-190		
Nitro	KA	06/07	12/10	V6	3.7L	EKG	—	TT420-195		
Fiat										
124		04/67	12/72	4	1.2L-1.6L		TT1-180	TT2000-180	TTG29U	
124		06/73	03/76	4	1.8L		TT256-180P		INC	
125		12/67	04/73	4	1.6L		TT256-180P		INC	
127		03/75	12/77	4	1.0L		TT261-190P		TTG20U	
128		08/70	12/78	4	1.1L-1.3L		TT255-180P		INC	
130		10/72	04/76	V6	3.2L		TT235-180			
131 -132		01/73	02/82	4	1.6L-2.0L		TT256-180P		INC	
500		01/58	12/71	2	0.5L		TT1-180	TT2000-180	TTG29U	
500		02/08	12/10	4	1.2L		TT1699-190		INC	
500		02/08	12/10	4	1.4L	169A	TT1672-190		INC	
500	Turbo Diesel	02/08	12/10	4	1.2L		TT1580-190		INC	
600 - 850		01/58	12/71	4	0.6L-0.9L		TT1-180	TT2000-180	TTG29U	
1100		01/60	02/67	4	1.1L-1.2L		TT1-180	TT2000-180	TTG29U	
1500 - 2300		01/58	12/68	4, 6	1.5L-2.3L		TT1-180	TT2000-180	TTG29U	
Argenta		03/83	09/85	4	2.0L	132D	TT256-180P		INC	

Vehicle Application List

Make and Model		Year		Engine			Part Number			Notes
		Start	Finish	Cyl	Size	Model	Standard Thermostat	High Flow Thermostat	Gasket	
Fiat cont.										
Bravo	Turbo (NZ only)	01/07	01/08	4	1.4L	198A1	TT1675-190		INC	
Bravo	(NZ Only)	01/07	01/08	4	1.9L	937A5	TT1405-190		INC	
Croma		03/88	07/89	4	2.0L		TT233-180	TT2033-180	TTG29U	
Ducato	Turbo Diesel	02/07	12/10	4	2.3L	F1AE	TT622-181		INC	
Ducato	Turbo Diesel	08/02	01/07	4	2.8L	814043	TT230-180		TTG11	
Punto		07/06	12/10	4	1.4L	350A1000	TT1672-190		INC	
Punto	Sport	02/08	12/10	4	1.4L	198A4000	TT1701-176		INC	
Punto	Turbo Diesel Dynamic	07/06	12/10	4	1.2L	199A3	TT627-190		INC	
Punto	Turbo Diesel	07/06	12/10	4	1.3L	JTDM	TT627-190		INC	
Punto	Turbo Diesel	06/06	01/09	4	1.9L		TT1669-190		INC	
Regata	85S	01/85	07/89	4	1.5L		TT228-180	TT2028-180	TTG29U	
Regata	100S	10/85	12/89	4	1.6L	149A	TT256-180P		INC	
Scudo	Turbo	04/08	12/10	4	2.0L	120Multi	TT584-183		INC	
X1/9		05/78	12/83	4	1.3L-1.5L		TT235-180		TTG29U	
Ford										
Bronco	4.1 - Carb	01/81	01/85	6	4.1L		TT1-180	TT2000-180	TTG14	
Bronco	V8 4.9 - EFI	09/85	12/87	V8	4.9L	Windsor	TT1-195	TT2000-195	TTG38	
Bronco	V8 5.8 - Carb	03/81	01/85	V8	5.8L	Cleveland	—	TT2023-180	TTG15	
Capri		05/69	12/74	4, V6	1.6L, 3.0L		TT1-192	TT2000-192	TTG4	
Capri	SA - SE (incl Turbo)	10/89	07/94	4	1.6L	B6	TT240-180	TT2040-180	TTG15	
Corsair	UA	11/89	12/92	4	2.0L	CA20E	TT1-180	TT2000-180	TTG15	
Corsair	UA	11/89	12/92	4	2.4L	KA24E	TT228-170	TT2028-170	TTG11 TTG20U	Check illustrations for correct application
Cortina	Mk I, Mk II	01/63	12/71	4	1.2L-1.6L		TT1-192	TT2000-192	TTG4	
Cortina	TC	10/72	09/74	4	1.6L		TT1-192	TT2000-192	TTG4	
Cortina	TC - TF	10/72	08/82	4	2.0L		TT4-192	TT2002-192	TTG42	
Cortina	TC - TF	10/72	08/82	6	3.3L, 4.1L		TT1-192	TT2000-192	TTG14	
Cougar	SW	10/99	04/01	V6	2.5L	LCBC	—	TT354-180P	TTG28	
Courier	SGC - Carb	11/78	02/82	4	1.8L	VC	TT240-180	TT2040-180	TTG41	
Courier	SGCD - Carb	11/82	07/85	4	2.0L	MA	TT319-180		TTG11	
Courier	PC - Carb	06/85	09/90	4	2.0L	FE	TT240-180	TT2040-180	TTG15	
Courier	PC	01/90	01/98	4	2.2L	F2	—	TT323-192	TTG15	
Courier	PC - Carb	05/87	09/90	4	2.6L	4G54	TT240-192	TT2040-192	TTG15	
Courier	PC - PH	09/90	01/06	4	2.6L	G6	TT323-180 TT414-190		TTG29U TTG29U	Check illustrations for correct application
Courier	PH (V6)	01/04	12/06	V6	4.0L		—	TT248-195	TTG33	
Courier (Diesel)	SGHW	04/81	12/85	4	2.2L	S2	—	TT329-170	TTG15	
Courier (Diesel)	PC	06/85	08/85	4	2.2L	R2	TT241-190	TT2041-190	TTG15	
Courier (Diesel)	PC	08/85	04/89	4	2.2L	R2	TT561-190		TTG29U	
Courier (Diesel)	PD	05/96	02/99	4	2.5L	WL	TT532-180		INC	
Courier (Diesel)	PE - PH (Turbo Diesel)	01/99	12/06	4	2.5L	WL-AT	TT532-180		INC	
Econovan	1.4	05/84	12/85	4	1.4L	D4	TT240-180	TT2040-180	TTG15	
Econovan	1.6	06/79	04/84	4	1.6L	NA	TT240-192	TT2040-192	TTG41	
Econovan	1.8	04/84	05/97	4	1.8L	F8	TT240-180	TT2040-180	TTG15	
Econovan	1.8 EFI - JH	03/03	07/06	4	1.8L	F8	TT240-192	TT2040-192	TTG15	
Econovan	2.0	04/84	02/03	4	2.0L	FE	TT240-180	TT2040-180	TTG15	
Econovan	2.0 EFI	03/03	07/06	4	2.0L		TT240-192	TT2040-192	TTG15	
Econovan (Diesel)	2.2	01/81	12/84	4	2.2L	S2	—	TT329-170	TTG15	
Econovan (Diesel)	2.2	01/84	08/85	4	2.2L	R2	TT241-190	TT2041-190	TTG15	
Econovan (Diesel)	2.2	08/85	01/97	4	2.2L	R2	TT561-190		TTG29U	
Escape	ZB - ZD	02/04	12/10	4	2.3L	L3	TT512-180P		INC	
Escape	BA - ZC	03/01	03/08	V6	3.0L	AJ	—	TT354-180P	TTG28	
Escort	Mk I, Mk II	03/70	03/81	4	1.1L-1.6L		TT1-192	TT2000-192	TTG4	
Escort	Mk II	12/76	03/81	4	2.0L		TT4-192	TT2002-192	TTG42	
Explorer	UN - US OHV (119kw)	10/96	09/01	V6	4.0L	VZA	TT333-198		INC	
Explorer	UN - US SOHC (153kw)	10/96	09/01	V6	4.0L	VZA	—	TT248-192	TTG33	
Explorer	UT - UZ (SOHC)	10/01	01/08	V6	4.0L	XZA	—	TT248-195	TTG33	
Explorer	UT - UZ (SOHC)	10/01	01/08	V8	4.6L	ZZA	TT228-195	TT2028-195	TTG28	
F100 - F350	4.1	01/70	12/85	6	4.1L		TT1-180	TT2000-180	TTG6	
F100 - F250	V8 4.9	01/77	06/90	V8	4.9L	Windsor	TT1-195	TT2000-195	TTG38	
F100 - F350	V8 5.0, 5.8	01/73	12/85	V8	5.0L-5.8L	Cleveland	—	TT2023-180	TTG15	

Make and Model		Year		Engine			Part Number			Notes
		Start	Finish	Cyl	Size	Model	Standard Thermostat	High Flow Thermostat	Gasket	
Ford cont.										
F150 - F350	V8 5.8	01/90	12/93	V8	5.8L	Windsor	TT1-195	TT2000-195	TTG38	Use a TT228-195, if replacing a bypass type thermostat
F250	RM - Turbo Diesel	08/01	07/03	6	4.2L		TT204-174	TT2004-174	TTG26	
F250 - F350	RM - RN	08/01	09/07	V8	5.4L		TT228-195	TT2028-195	TTG28	
F250 - F350	RM - RN Turbo Diesel	08/01	06/07	V8	7.3L		—	TT332-180	TTG33	
Fairlane - 6 Cyl	ZA - ZL	03/67	05/88	6	3.3L-4.1L		TT1-192	TT2000-192	TTG14	
Fairlane - 6 Cyl	NA - NL	06/88	02/99	6	3.9L-4.0L		TT228-195	TT2028-195	TTG11	
Fairlane - 6 Cyl	AU (NU)	02/99	12/02	6	4.0L		TT1-195	TT2000-195	TTG11	Use a TT228-195, if replacing a bypass type thermostat
Fairlane - 6 Cyl	BA - BF	06/03	12/07	6	4.0L		TT1-195	TT2000-195	TTG11	Use a TT228-195, if replacing a bypass type thermostat
Fairlane - V8	FB, FC, FD - Carb.	01/59	12/65	V8		Windsor	TT1-192	TT2000-192	TTG38	
Fairlane - V8	ZA - ZC	03/67	10/70	V8	4.8L-5.8L	Windsor	TT1-192	TT2000-192	TTG38	
Fairlane - V8	ZD - ZK	11/70	03/83	V8	4.9L-5.8L	Cleveland	—	TT2023-180	TTG15	
Fairlane - V8	NC - NL	07/91	02/99	V8	5.0L	Windsor	TT1-195	TT2000-195	TTG38	
Fairlane - V8	AU (NU)	02/99	12/02	V8	5.0L	Windsor	TT1-195	TT2000-195	TTG38	
Fairlane - V8	BA - BF	06/03	12/07	V8	5.4L		TT265-195	TT2065-195	TTG28	
Falcon - 6 Cyl	XK - XY	01/60	03/72	6	2.4L-4.1L		TT1-170	TT2000-170	TTG14	
Falcon - 6 Cyl	XA - XF	03/72	02/88	6	3.3L-4.1L		TT1-192	TT2000-192	TTG14	
Falcon - 6 Cyl	EA - EL	03/88	08/98	6	3.2L-4.0L		TT228-195	TT2028-195	TTG11	Use a TT1-195, if replacing a Non bypass type thermostat
Falcon - 6 Cyl	AU	08/98	09/02	6	4.0L		TT1-195	TT2000-195	TTG11	Use a TT228-195, if replacing a bypass type thermostat
Falcon - 6 Cyl	BA - BF	09/02	04/08	6	4.0L		TT1-195	TT2000-195	TTG11	Use a TT228-195, if replacing a bypass type thermostat
Falcon - 6 Cyl	BA - BF (Turbo)	09/02	10/06	6	4.0L		—	TT2000-195	TTG11	High flow thermostat recommended only
Falcon - 6 Cyl	BF (E-Gas)	10/05	04/08	6	4.0L	E-GAS	TT1-195	TT2000-195	TTG11	
Falcon - 6 Cyl	FG	05/08	12/10	6	4.0L	Barra 195	TT1-195	TT2000-195	TTG11	Use a TT228-195, if replacing a bypass type thermostat
Falcon - 6 Cyl	FG - Turbo	05/08	12/10	6	4.0L	Barra 270T	—	TT2000-195	TTG11	High flow thermostat recommended only
Falcon - 6 Cyl	FG (E-Gas)	05/08	12/10	6	4.0L	E-GAS	TT1-195	TT2000-195	TTG11	
Falcon Ute / Van - 6 Cyl	XF	02/88	03/93	6	4.1L		TT1-192	TT2000-192	TTG14	
Falcon Ute / Van - 6 Cyl	XG - XH	03/93	06/99	6	4.0L		TT228-195	TT2028-195	TTG11	
Falcon - V8	XR - XW (Carb.)	09/66	11/70	V8	4.8L-5.0L	Windsor	TT1-192	TT2000-192	TTG38	
Falcon - V8	XW - XY (Inc GTHO)	08/70	03/72	V8	4.9L-5.8L	Cleveland	—	TT2023-180	TTG15	
Falcon - V8	XA - XE	03/72	10/83	V8	4.9L-5.8L	Cleveland	—	TT2023-180	TTG15	
Falcon - V8	EA - High Power	03/88	09/89	V8	5.0L	Windsor	TT1-195	TT2000-195	TTG11	
Falcon - V8	EB - EL	04/92	08/98	V8	5.0L	Windsor	TT1-195	TT2000-195	TTG38	
Falcon - V8	AU	08/98	12/02	V8	5.0L	Windsor	TT1-195	TT2000-195	TTG38	
Falcon - V8	BA - BF SOHC - 24V	09/02	04/08	V8	5.4L		—	TT2065-195	TTG28	High flow thermostat recommended only
Falcon - V8	BA - BF DOHC - 32V	01/03	04/08	V8	5.4L		—	TT2000-195	TTG11	High flow thermostat recommended only
Falcon - V8	FG DOHC - 32V	05/08	12/10	V8	5.4L	Boss 290	—	TT2000-195	TTG11	High flow thermostat recommended only
Falcon Ute - V8	XH - Ute	10/97	05/99	V8	5.0L	Windsor	TT1-195	TT2000-195	TTG38	
Festiva	WA - WB	10/91	12/96	4	1.3L	B3	TT240-180	TT2040-180	TTG15	
Festiva	WBII - WBIII	01/97	12/02	4	1.3L-1.5L	B3,B5	TT240-180	TT2040-180	TTG40	
Fiesta	WP - WS	02/04	12/10	4	1.4L-1.6L		TT565-180		TTG26	
Fiesta	WQ (XR4)	06/07	12/08	4	2.0L	N4J	TT514-192P		INC	
Focus	LR	01/00	04/05	4	1.6L-2.0L		TT270-192		TTG11	
Focus	LR (NZ only)	01/00	04/05	4	2.0L		TT514-192P		INC	
Focus	LR (ST170)	04/03	04/05	4	2.0L		TT270-192		TTG11	
Focus	LS - LV	06/07	12/10	4	2.0L		TT514-192P		INC	
Focus	LT - LV (TDCi)	01/07	12/10	4	2.0L	D4204T	TT584-183		INC	
KA		11/99	03/04	4	1.3L	XJ	TT244-192		TTG4	
Laser	KA - KB SOHC (Incl Turbo)	01/81	12/85	4	1.3L-1.5L	E3 - E5	TT240-192	TT2040-192	TTG15	
Laser	KC - KE (SOHC)	10/85	04/90	4	1.3L-1.6L		TT240-180	TT2040-180	TTG15	
Laser	KE - DOHC (EFI Turbo)	10/87	04/90	4	1.6L	B6T	TT240-180	TT2040-180	TTG15	
Laser	KF - KH	03/90	12/94	4	1.6L-1.8L		TT240-180	TT2040-180	TTG15	
Laser	KF - DOHC (EFI Turbo)	03/90	04/90	4	1.8L	BPD	—	TT323-180	TTG15	

Vehicle Application List

Make and Model		Year		Engine			Part Number			Notes
		Start	Finish	Cyl	Size	Model	Standard Thermostat	High Flow Thermostat	Gasket	
Ford cont.										
Laser	KF - KH DOHC (EFI Turbo)	05/91	07/93	4	1.8L	BPD	TT240-192	TT2040-192	TTG15	
Laser	KJ	10/94	11/98	4	1.6L-1.8L		TT240-180	TT2040-180	TTG15	
Laser	KN	11/98	10/00	4	1.6L	ZM	—	TT323-192	TTG15	
Laser	KN - KQ	11/00	09/02	4	1.6L	ZM	TT240-180	TT2040-180	TTG15	
Laser	KN - KQ	11/98	09/02	4	1.8L-2.0L		TT532-180		INC	
LTD - 6 Cyl	FC - FE	10/79	05/88	6	4.1L		TT1-180	TT2000-180	TTG14	
LTD - 6 Cyl	DA - DL	06/88	06/99	6	3.9L-4.0L		TT228-195	TT2028-195	TTG11	Use a TT1-195, if replacing a Non bypass type thermostat
LTD - 6 Cyl	AU	06/99	06/03	6	4.0L		TT1-195	TT2000-195	TTG11	
LTD - V8	Carb.	01/70	06/73	V8	4.8L	Windsor	TT1-192	TT2000-192	TTG38	
LTD - V8		01/73	06/79	V8	5.8L	Cleveland	—	TT2023-180	TTG15	
LTD - V8	FC - FD	06/79	03/83	V8	4.9L-5.8L	Cleveland	—	TT2023-180	TTG15	
LTD - V8	DC - DL	07/91	06/99	V8	5.0L	Windsor	TT1-195	TT2000-195	TTG38	
LTD - V8	AU	06/99	04/08	V8	5.0L	Windsor	TT1-195	TT2000-195	TTG38	
LTD - V8	BA - BF	07/03	04/08	V8	5.4L		TT265-195	TT2065-195	TTG28	
Maverick	Petrol	02/88	09/93	6	4.2L	TB42S	—	TT332-180	TTG20U	
Maverick	Diesel	02/88	10/91	6	4.2L	TD42	TT233-170	TT2033-170	TTG43	
Maverick	Diesel	10/91	05/93	6	4.2L	TD42	TT241-170	TT2041-170	TTG43	
Maverick	Diesel	05/93	09/93	6	4.2L	TD42	TT233-170	TT2033-170	TTG43	
Meteor	GA - GB	04/82	09/85	4	1.5L	E5	TT240-192	TT2040-192	TTG15	
Meteor	GC	10/85	09/87	4	1.6L	B6	TT240-180	TT2040-180	TTG15	
Mondeo	HA - HE	07/95	12/00	4	2.0L	SD/ZH20	TT270-192		TTG34	
Mondeo	HE - ST24	02/00	12/00	V6	2.5L	KL	TT270-192		TTG34	
Mustang		02/01	03/03	V8	4.6L		—	TT338-195		
Mustang		01/05	12/10	V8	4.6L	MODULAR 4.6	TT265-195	TT2065-195		
Probe	ST - SV	07/94	01/98	V6	2.5L	KL	TT319-180		TTG11	
Raider	UV	08/91	07/97	4	2.6L	G6	—	TT323-192	TTG15	
Ranger	PJ - PK	01/07	12/10	4	2.5L-3.0L		TT532-180		INC	
Spectron		01/83	05/84	4	1.6L	NA	TT240-192	TT2040-192	TTG15	
Spectron		05/84	04/90	4	1.8L-2.0L		TT240-180	TT2040-180	TTG15	
Taurus	DN - DP	03/96	09/98	V6	3.0L	TA	—	TT354-192P	TTG28	
Telstar	AR - AS (incl Turbo)	05/83	11/87	4	2.0L	FE,T	TT240-192	TT2040-192	TTG15	
Telstar	AT - Carb.	10/87	10/89	4	2.0L	FE	TT240-180	TT2040-180	TTG15	
Telstar	AT - AV (incl Turbo)	10/87	01/92	4	2.2L	F2	TT240-180	TT2040-180	TTG15	
Telstar	AX - AY	01/92	11/96	4	2.0L	FS	TT532-180		INC	
Telstar	AX - AY	01/92	11/96	V6	2.5L	KL	TT532-180		INC	
Territory	SX - SY	04/04	12/10	6	4.0L		TT1-195	TT2000-195	TTG11	Use a TT228-195, if replacing a bypass type thermostat
Territory	SY - Turbo	07/06	02/10	6	4.0L	Barra 245T	—	TT2000-195	TTG11	High flow thermostat recommended only
Trader		01/79	12/81	4	2.0L	VA/GE	TT240-180	TT2040-180		
Trader		01/79	12/84	4	3.0L	HA	—	TT329-170	TTG15	
Trader		05/84	12/99	4	3.5L	SL	—	TT329-170	TTG2U	
Trader	Turbo Diesel	12/87	03/92	4	3.5L	SL-T	—	TT329-180	TTG2U	
Trader		10/89	04/99	4	4.0L	TF	—	TT329-180	TTG2U	
Trader		10/95	04/99	4	4.6L	TM	—	TT329-180	TTG2U	
Transit		01/73	12/81	6	4.1L		TT1-180	TT2000-180	TTG14	
Transit	VE - Diesel	06/94	05/96	4	2.5L	4DA	TT270-192		TTG34	
Transit	VF - VG	01/96	12/00	4	2.0L	NSJ	TT240-192	TT2040-192	TTG34	
Transit	VF - VG (Turbo Diesel)	01/96	01/01	4	2.5L		TT270-192		TTG34	
Transit	VH	01/01	01/05	4	2.3L		TT240-192	TT2040-192	TTG34	
Transit	VJ	04/04	12/10	4	2.3L		TT6-190	TT2001-190	TTG49	
Transit	VH - VM (Turbo Diesel)	01/01	12/10	4	2.2L-2.4L		TT242-192		TTG11	
Holden										
Apollo	JK, JL	08/89	02/93	4	2.0L	3S-FC,FE	TT214-180	TT2014-180	TTG9 TTG26	Check illustrations for correct application
Apollo	JM	03/93	08/95	4	2.2L	5S-FE	TT214-180	TT2014-180	TTG9 TTG26	
Apollo	JM	03/93	08/95	V6	3.0L	3VZ-FE	—	TT281-180	TTG15	
Apollo	JP	09/95	05/97	4	2.2L	5S-FE	TT214-180	TT2014-180	TTG47	
Apollo	JP	09/95	05/97	V6	3.0L	3VZ-FE	—	TT281-180	TTG15	
Astra	LB - Carb.	08/84	03/86	4	1.5L	E15	TT1-180	TT2000-180	TTG16	
Astra	LC - Carb.	04/86	07/87	4	1.6L	E16	TT1-180	TT2000-180	TTG16	

Make and Model		Year		Engine			Part Number			Notes
		Start	Finish	Cyl	Size	Model	Standard Thermostat	High Flow Thermostat	Gasket	
Holden cont.										
Astra	LD	07/87	07/89	4	1.6L,1.8L	16LF,18LE	—	TT283-195P	INC	
Astra	TR	09/96	09/98	4	1.6L	C16SE	TT4-192	TT2002-192	TTG26	
Astra	TR	09/96	09/98	4	1.8L	C18SEL	TT350-180P		INC	
Astra	TR	09/96	09/98	4	2.0L	X20XEV	TT350-198P		INC	
Astra	TS	09/98	12/00	4	1.8L	X18XE1	TT1350-198P		INC	
Astra	TS Series II	01/01	06/04	4	1.8L	Z18XE	TT1350-198P		INC	
Astra	TS Series II	12/01	01/07	4	2.2L	Z22SE	—	TT2000-180	TTG11	
Astra	TS Series II - Turbo	05/03	06/04	4	2.0L	Z20LET	TT350-198P		INC	
Astra	AH - CD, CDX & CDXi	09/04	03/07	4	1.8L	Z18XE	TT1350-198P		INC	
Astra	AH - CDTi Diesel	06/06	12/10	4	1.9L	Z19DT	TT1669-190		INC	
Astra	AH - Inc. Turbo & VRX	06/06	12/10	4	2.0L	Z20LE	TT350-198P		INC	
Astra	AH	12/06	12/10	4	2.2L	Z22YH	—	TT2000-180	TTG11	
Astra	AH	04/07	03/10	4	1.8L	Z18XER	TT611-221		INC	
Barina	MB - ML	02/85	05/94	4	1.3L	G13A,G13B	TT239-180		TTG3	
Barina	SB	04/94	07/97	4	1.2L	C12NZ	TT4-192	TT2002-192	TTG26	
Barina	SB	04/94	02/01	4	1.4L	C14NZ C14SE	TT4-198		TTG26	
Barina	SB - GSi	04/94	09/98	4	1.6L	C16XE,X16XE	TT348-198P		INC	
Barina	XC	04/01	06/04	4	1.4L	Z14XE	TT1174-198P		INC	
Barina	XC - SRi	09/01	10/05	4	1.8L	Z18XE	TT1350-198P		INC	
Barina	XC	09/02	11/05	4	1.4L	Z14XEP	TT436-198P		INC	
Barina	TK	10/05	12/10	4	1.6L	F16D3	TT4-192 TT582-189P	TT2002-192 —	TTG26 INC	Check illustrations for correct application
Calibra	YE - SOHC	10/91	07/95	4	2.0L	C20NE	—	TT283-195P	INC	
Calibra	YE - DOHC	10/91	07/95	4	2.0L	C20XE	TT287-180P		INC	
Calibra	YE, YE95 - Turbo 4WD	06/94	07/98	4	2.0L	C20LET	TT287-180P		INC	
Calibra	YE95 - DOHC	08/95	07/98	4	2.0L	X20XEV	TT350-198P		INC	
Calibra	YE95 - DOHC	08/95	07/98	V6	2.5L	C25XE	TT349-192P		INC	
Camira	JB, JD - Carb.	08/82	02/86	4	1.6L	16JH,L16	TT229-195	TT2029-195	TTG11	
Camira	JD - MPFI, TBI	11/84	01/86	4	1.8L		—	TT283-195P	INC	
Camira	JD - MPFI, TBI	11/84	03/87	4	1.8L	18JU	TT229-195	TT2029-195	TTG11	
Camira	JE - MPFI	04/87	08/89	4	2.0L	20JD	TT287-195P		INC	
Captiva	CG	10/06	12/10	V6	3.2L	Alloytech 169	TT522-180P		INC	
Captiva	CG - Turbo Diesel	03/07	12/10	4	2.0L	Z20S1	TT1694-176		INC	
Captiva	CG - DF26, DG26	12/09	12/10	4	2.4L	Z24SED	TT347-198P		INC	
Colorado	RC - 2WD	07/08	11/09	4	2.4L	Y24SE	TT353-198P		INC	
Colorado	RC	07/08	12/10	V6	3.6L	H9	TT479-180P		TTG77	Thermostat insert only, use with O.E housing.
Colorado (Diesel)	RC	07/08	12/10	4	3.0L	4JJ1TC	—	TT301-185	INC	
Combo Van	SB	03/96	07/97	4	1.4L	C14NZ	TT4-198		TTG26	
Combo Van	SB	03/96	09/02	4	1.4L	C14SE	TT4-192	TT2002-192	TTG26	
Combo Van	XC	09/02	04/05	4	1.6L	Z16SE	TT4-198		INC	
Combo Van	XC	01/04	12/10	4	1.4L	Z14XEP	TT436-198P		INC	
Commodore 4 Cyl	VC & VH	03/80	12/83	4	1.9L	Starfire	TT1-190	TT2000-190	TTG7	
Commodore 6 Cyl	VB - VK	11/78	02/86	6	2.8L,3.3L		TT1-190	TT2000-190	TTG5 TTG7	Check illustrations for correct application
Commodore 6 Cyl	VL - Inc. Turbo	03/86	08/88	6	3.0L	RB30E,T	—	TT268-170	TTG18	
Commodore - V6	VN I	08/88	10/90	V6	3.8L	LG2	TT203-195	TT2003-195	TTG12	
Commodore - V6	VN II - VY II	08/90	07/04	V6	3.8L	LG2,LG3,LN3	TT203-195	TT2003-195	TTG46	
Commodore - V6	VS - VY II Supercharged	04/95	07/04	V6	3.8L	L67	TT203-195	TT2003-195	TTG26 TTG56	Check illustrations for correct application
Commodore - V6	VZ, VE	08/04	12/10	V6	3.0L,3.6L	LE0,LY7 Inc. SIDI	TT639-180P		INC	TT479-180P can also be used (Thermostat Insert only)
Commodore - V8	VB - VL	11/78	04/95	V8	4.2L,5.0L		TT1-190	TT2000-190	TTG24	
Commodore - V8	VL	11/78	04/95	V8	5.0L		TT1-190	TT2000-190	TTG5 TTG7	Check illustrations for correct application
Commodore - V8	VG, VN	03/89	12/91	V8	5.0L		TT1-190	TT2000-190	TTG9 TTG51	Check illustrations for correct application
Commodore - V8	VP, VR	10/91	04/95	V8	5.0L		TT1-190	TT2000-190	TTG51	
Commodore - V8	VR - VT	09/94	10/00	V8	5.7L	L98	TT1-192	TT2000-192	TTG51	
Commodore - V8	VS, VT	04/95	01/01	V8	5.0L	LB9	TT1-192	TT2000-192	TTG51	
Commodore - V8	VT - VY	06/99	07/03	V8	5.7L	LS1	TT379-187P		INC	
Commodore - V8	VY II - VZ	09/02	08/07	V8	5.7L	LS1	—	TT456-187	INC	
Commodore - V8	VZ, VE	08/04	08/09	V8	6.0L	L76,L98	—	TT456-187	INC	

Vehicle Application List

Make and Model		Year		Engine			Part Number			Notes
		Start	Finish	Cyl	Size	Model	Standard Thermostat	High Flow Thermostat	Gasket	
Holden cont.										
Commodore - V8	VE - MY10	09/09	12/10	V8	6.0L	EVG	—	TT523-187	INC	
Cruze	JG - Turbo	05/09	12/10	4	2.0L	Z20S1	TT1694-176		INC	
Drover	QB	03/85	12/87	4	1.3L	G13A	TT240-192	TT2040-192	TTG20U	
EH		08/63	12/65	6	2.4L,2.9L	Red	TT1-180	TT2000-180	TTG5	
EJ		08/62	12/63	6	138ci	Grey	TT1-160	TT2000-160	TTG29U	
EK		05/61	12/62	6	138ci	Grey	TT1-160	TT2000-160	TTG29U	
Epica	EP - Turbo	07/08	12/10	4	2.0L	Z20S1	TT1694-176		INC	
FX - FB		11/48	12/61	6	133,138	Grey	TT1-160	TT2000-160	TTG29U	
Frontera	UED55	10/95	03/99	4	2.0L	X20SE	—	TT283-195P	INC	
Frontera	UES30	03/99	01/04	4	2.2L	X22SE	TT347-198P		INC	
Frontera	UES25	03/99	01/04	V6	3.2L	6VD1	TT418-170P		TTG34	
Gemini	TC - TX	03/75	05/85	4	1.6L	G161Z	TT1-180	TT2000-180	TTG40	
Gemini	RB	05/85	06/87	4	1.5L	4XC1	TT1-180	TT2000-180	TTG15	
Gemini (Diesel)	TE - TG	03/81	12/84	4	1.8L	4FB1	TT326-180			
HD - HT - 6 Cyl		02/65	12/76	6	2.4L-3.3L		TT1-180	TT2000-180	TTG5	
HX - WB - 6 Cyl		07/76	01/85	6	3.3L		TT1-190	TT2000-190	TTG5	
HG - WB - V8		05/69	01/85	V8	4.2L		TT1-180	TT2000-180	TTG24	
HG - HX - V8		02/68	12/77	V8	5.0L		TT1-180	TT2000-180	TTG9 TTG24	Check illustrations for correct application
HK, HT - V8		02/68	12/70	V8	327ci	Chevrolet	TT1-180	TT2000-180	TTG9	
HG - HT - V8		05/69	12/74	V8	5.7L		TT1-180	TT2000-180	TTG9	
Jackaroo	UBS81	11/81	07/85	4	2.0L	G200Z	TT1-180	TT2000-180	TTG29U	
Jackaroo	UBS(16, 17)	08/85	03/92	4	2.3L,2.6L	4Z	TT241-180	TT2041-180	TTG15	
Jackaroo	UBS92 L2	04/92	02/98	V6	3.2L	6VD1	—	TT320-170	TTG20U	
Jackaroo	UBS98 L8	02/98	09/04	V6	3.5L	6VE1	TT418-170P		TTG34	
Jackaroo (Diesel)	UBS	11/81	12/88	4	2.2L	C223	TT326-180		TTG28 TTG29U	Check illustrations for correct application
Jackaroo (Diesel)	UBS55 - Turbo Diesel	07/88	03/92	4	2.8L	4JB1T	TT326-180		TTG28 TTG29U	Check illustrations for correct application
Jackaroo (Diesel)	UBS69 L2 Turbo Diesel	04/92	02/98	4	3.1L	4JG2	TT241-180	TT2041-180	TTG4	
Jackaroo (Diesel)	UBS73 L8 Turbo Diesel	03/98	09/04	4	3.0L	4JX1	—	TT411-185	INC	
Monaro	VX - CV6 Supercharged	12/01	12/02	V6	3.8L	L67 VH	TT203-195	TT2003-195	TTG26 TTG56	Check illustrations for correct application
Monaro	VY - CV6 Supercharged	01/03	08/04	V6	3.8L	L67 VH	TT203-195	TT2003-195	TTG26 TTG56	Check illustrations for correct application
Monaro	VX - CV8	12/01	12/02	V8	5.7L	LS1	TT379-187P		INC	
Monaro	VY, VZ - Inc. CV8, GTO	02/03	07/06	V8	5.7L	C4B,LS1 Gen III	—	TT456-187	INC	
Nova	LE - LG	08/89	04/97	4	1.4L-1.8L	4A-FC,E, 6A-FC,7A-FE	TT214-180	TT2014-180	TTG47	
Piazza	YB	04/86	11/87	4	2.0L	4ZC1	TT1-180	TT2000-180	TTG15	
Rodeo	KB	01/78	12/82	4	1.6L	G161Z	TT1-180	TT2000-180	TTG15	
Rodeo	KB	01/83	12/83	4	1.8L	4ZB1	TT1-180 TT241-180	TT2000-180 TT2041-180	TTG15 TTG29U	Check illustrations for correct application
Rodeo	KB	01/83	12/84	4	1.8L	G180Z	TT241-180	TT2041-180	TTG15 TTG29U	Check illustrations for correct application
Rodeo	KB	01/83	03/87	4	1.9L	G200Z	TT241-180	TT2041-180	TTG29U	
Rodeo	KB	07/85	12/87	4	2.3L	4ZD1	TT1-180	TT2000-180	TTG29U	
Rodeo	TF88	04/87	12/88	4	2.3L	4ZD1	TT1-180	TT2000-180	TTG29U	
Rodeo	TF88	01/91	03/93	4	2.3L	4ZD1	TT241-180	TT2041-180	TTG29U	
Rodeo	TF88	07/88	01/93	4	2.6L	4ZE1	TT241-180	TT2041-180	TTG29U	
Rodeo	TF93	02/93	01/97	4	2.6L	4ZE1	TT241-180	TT2041-180	TTG29U	
Rodeo	TF97 - EFI	02/97	06/98	4	2.6L	4ZE1	TT241-180	TT2041-180	TTG29U	
Rodeo	TF97 - MPFI	02/97	06/98	V6	3.2L	6VD1	TT418-170P		TTG34	
Rodeo	TF99 - EFI	07/98	02/03	4	2.2L	C22NE	TT353-198P		INC	
Rodeo	TF99 - MPFI	06/98	01/03	V6	3.2L	6VD1	TT418-170P		TTG34	
Rodeo	RA03	11/02	01/07	4	2.4L	C24SE	TT353-198P		INC	
Rodeo	RA03	11/02	11/05	V6	3.5L	6VE1	TT418-170P		TTG34	
Rodeo	RA03	12/05	01/07	V6	3.6L	HFV6	TT479-180P		TTG77	Thermostat insert only, use with O.E housing.
Rodeo	RA07	01/07	07/08	4	2.4L	Y24SE	TT353-198P		INC	
Rodeo	RA07	01/07	07/08	V6	3.6L	HFV6	TT639-180P		INC	TT479-180P can also be used (Thermostat Insert only)
Rodeo (Diesel)	KB	01/79	12/82	4	2.0L	C190	TT272-180		TTG28 TTG29U	Check illustrations for correct application

Make and Model		Year		Engine			Part Number			Notes
		Start	Finish	Cyl	Size	Model	Standard Thermostat	High Flow Thermostat	Gasket	
Holden cont.										
Rodeo (Diesel)	KB	01/83	12/88	4	2.2L	C223	TT326-180		TTG28 TTG29U	Check illustrations for correct application
Rodeo (Diesel)	TF88	06/88	01/93	4	2.5L	4JA1	TT326-180		TTG28 TTG29U	Check illustrations for correct application
Rodeo (Diesel)	TF88 - Turbo Diesel	01/91	01/93	4	2.8L	4JB1T	TT326-180		TTG4	
Rodeo (Diesel)	TF93 - Turbo Diesel	02/93	04/94	4	2.8L	4JB1T	TT326-180		TTG4	
Rodeo (Diesel)	TF93 - Turbo Diesel	04/94	01/97	4	2.8L	4JB1T	—	TT382-185	TTG4	
Rodeo (Diesel)	TF97 - Turbo Diesel	02/97	06/98	4	2.8L	4JB1T	—	TT382-185	TTG4	
Rodeo (Diesel)	TF99 - Turbo Diesel	07/98	12/01	4	2.8L	4JB1T	—	TT382-185	TTG4	
Rodeo (Diesel)	TF99 - Turbo Diesel	12/01	01/03	4	3.0L	4JH1T	—	TT382-185		
Rodeo (Diesel)	RA03 - Turbo Diesel	11/02	01/07	4	3.0L	4JH1TC	—	TT382-185		
Rodeo (Diesel)	RA07 - Turbo Diesel	01/07	07/08	4	3.0L	4JJ1TCX	—	TT301-185	INC	
Scurry	NB	07/85	12/87	4	1.0L	F10A	TT240-180	TT2040-180	TTG15	
Shuttle	WFR	03/82	12/86	4	1.8L	4ZB1	TT241-180	TT2041-180	TTG29U	
Shuttle	WFR - Diesel	03/82	12/86	4	2.0L	4FC1	TT1-180	TT2000-180	TTG29U	
Shuttle	WFR	01/87	12/90	4	2.0L	4ZC1	TT1-180 TT241-180	TT2000-180 TT2041-180	TTG29U	Check illustrations for correct application
Statesman - 6 Cyl	HQ	07/71	12/74	6	3.3L	QM/QL	TT1-190	TT2000-190	TTG5	
Statesman - V6	VQ - VS	03/90	06/99	V6	3.8L	LG2	TT203-195	TT2003-195	TTG46	
Statesman - V6	VS, WH, WK Supercharged	10/96	07/04	V6	3.8L	L67	TT203-195	TT2003-195	TTG26 TTG56	Check illustrations for correct application
Statesman - V6	WH, WK	06/99	07/04	V6	3.8L	LN3	TT203-195	TT2003-195	TTG46	
Statesman - V6	WL, WM Inc. Caprice	08/04	12/10	V6	3.6L	LY7,SIDI LLT	TT639-180P		INC	TT479-180P can also be used (Thermostat Insert only)
Statesman - V8	HJ, HQ, HZ	07/71	01/80	V8	4.2L,5.0L		TT1-180	TT2000-180	TTG24	
Statesman - V8	HQ	07/71	12/74	V8	5.7L		TT1-180	TT2000-180	TTG9 TTG24	Check illustrations for correct application
Statesman - V8	WB	05/80	01/85	V8	5.0L		TT1-190	TT2000-190	TTG24	
Statesman - V8	VQ	03/90	10/91	V8	5.0L	LB9 VU	TT1-190	TT2000-190	TTG9	
Statesman - V8	VQ Series II	11/91	02/94	V8	5.0L	LB9 VU	TT1-190	TT2000-190	TTG51	
Statesman - V8	VR - VS Series II	03/94	06/99	V8	5.0L	LB9	TT1-192	TT2000-192	TTG51	
Statesman - V8	VR - VS Series II	03/94	06/99	V8	5.7L	L98	TT1-192	TT2000-192	TTG51	
Statesman - V8	WH, WK	06/99	07/06	V8	5.7L	LS1	TT379-187P		INC	
Statesman - V8	WL, WM	06/99	08/09	V8	5.7L,6.0L		—	TT456-187	INC	
Statesman - V8	WM, VE - MY10	09/09	12/10	V8	6.0L	L98	—	TT523-187	INC	
Suburban K8	1500	02/98	07/02	V8	5.7L	L31 Petrol	TT1-190	TT2000-190		
Suburban K8	2500	02/98	07/02	V8	6.5L	L65 Diesel	TT1-180	TT2000-180	TTG26	Check illustrations for correct application
Sunbird	LX, UC	03/76	01/80	4	1.9L		TT1-190	TT2000-190	TTG5 TTG7	Check illustrations for correct application
Tigra	XC	08/05	09/07	4	1.8L	Z18XE	TT1350-198P		INC	
Torana - 4 Cyl	HB, LC, LJ, TA	05/67	12/75	4	1.2L-1.8L		TT1-190	TT2000-190	TTG29U	
Torana - 4 Cyl	LH, LX	03/74	12/76	4	1.9L		TT1-190	TT2000-190	TTG5 TTG7 TTG29U	Check illustrations for correct application
Torana - 6 Cyl	LC - UC	11/69	12/79	6	2.6L-3.3L		TT1-180	TT2000-180	TTG5	
Torana - V8	LH	03/74	12/76	V8	4.2L,5.0L		TT1-180	TT2000-180	TTG24	
Torana - V8	LX	03/76	12/78	V8	4.2L,5.0L		TT1-190	TT2000-190	TTG5	
Vectra	JR	06/97	12/98	4	2.0L	C20SEL	TT350-198P		INC	
Vectra	JR	06/97	12/98	V6	2.5L	X25XE	TT349-192P		INC	
Vectra	JS	08/98	11/00	4	2.0L,2.2L	C20SEL, C22SEL	TT350-198P		INC	
Vectra	JS - Series II	08/99	12/01	V6	2.5L,2.6L	X25XE,Y26SE	TT349-192P		INC	
Vectra	ZC	03/03	12/06	4	2.2L	Z22SE	—	TT2000-180	TTG11	
Vectra	ZC	03/03	12/06	V6	3.2L	Z32SE	TT349-198P		INC	
Viva	JF	10/05	05/09	4	1.8L	X18XE,F18DE	TT478-198		INC	
Zafira	TT - DOHC	06/01	05/06	4	2.2L	Z22SE	TT1-195	TT2000-195	TTG11	
Honda										
1300		12/70	12/73	4	1.3L		TT240-180	TT2040-180		
360		01/68	12/74	2	356cc	EA	TT240-180	TT2040-180		
600		10/68	12/73	2	0.6L		TT240-180	TT2040-180		
Accord	SJD	03/77	12/78	4	1.6L	EG	TT240-180	TT2040-180	TTG11	
Accord	SJ(F), SM	03/78	12/81	4	1.6L	EL,1	TT240-180	TT2040-180	TTG11	
Accord	SY, SZ	01/82	12/83	4	1.6L	EL1	TT240-180	TT2040-180	TTG11	
Accord	AD	01/84	12/85	4	1.8L	ET	TT240-180	TT2040-180	TTG11	
Accord	AD	01/86	10/86	4	2.0L	A20A2,4	TT240-180	TT2040-180	TTG11	

Vehicle Application List

Make and Model		Year		Engine			Part Number			Notes
		Start	Finish	Cyl	Size	Model	Standard Thermostat	High Flow Thermostat	Gasket	
Honda cont.										
Accord	CA(4, 5)	01/86	12/89	4	2.0L	A20A2,B4	TT240-180	TT2040-180	TTG11	
Accord	CB (NZ only)	01/89	01/94	4	2.0L	F20A	TT328-170		TTG9 TTG35	Check illustrations for correct application
Accord	CB7 - EXi	11/89	10/93	4	2.2L	F22A5,6,9	TT328-170		TTG11	
Accord	CB(8, 9) - Aerodeck	05/92	12/94	4	2.2L	F22A6,9	TT328-170		TTG72 TTG73	Check illustrations for correct application
Accord	CC5 - EXi	11/95	01/97	4	2.2L	F22B3	TT242-170	TT2042-170	TTG11	
Accord	CC5 - Vti,Vti-S	11/95	01/97	4	2.2L	F22B1	TT328-170		TTG11	
Accord	CD5 - EXi	10/93	12/95	4	2.2L	F22B3	TT242-170	TT2042-170	TTG11	
Accord	CD5 - Vti,Vti-S	10/93	12/95	4	2.2L	F22B1	TT328-170		TTG11	
Accord	CE1 - V-TEC EFI	06/94	12/96	4	2.2L	F22B1	TT328-170		TTG11	
Accord	CF (NZ only)	01/97	01/03	4	2.3L	F23A	TT328-170		TTG35	
Accord	CG1	12/97	12/98	V6	3.0L	J30A1	—	TT302-170	TTG45	
Accord	CG5 - Vti	12/97	12/98	4	2.3L	F23A1	TT328-170		TTG11	
Accord	CK1	01/99	06/03	V6	3.0L	J30A1	TT328-170		TTG11	
Accord	CK2 - Vti	01/99	06/03	4	2.3L	F23A1	TT328-170		TTG11	
Accord	CL - Euro	01/02	09/07	4	2.4L	K24A	TT636-172		INC	
Accord	CM - 40	08/03	01/08	4	2.4L	K24A4,KA4A4	TT636-172		INC	
Accord	CM - 40	08/03	01/08	V6	3.0L	J30A4	—	TT302-170	TTG31	
Accord	CP - 50	01/07	12/10	4	2.4L	K24Z	TT636-172		INC	
Accord	CP - 50	02/07	12/10	V6	3.5L	J35Z	—	TT302-170	TTG31	
Accord	CU - Euro	10/07	12/10	4	2.4L	K24Z	TT554-170		INC	
Acty	VD	10/82	12/88	2	0.5L	EH	TT240-180	TT2040-180	TTG11	
Ascot	CB (NZ only)	01/89	01/95	4	2.0L	F20A	TT242-170	TT2042-170	TTG35	
City	VF	01/84	06/86	4	1.2L	ER	TT240-180	TT2040-180	TTG30	
City	GM - Vti	02/09	12/10	4	1.5L	L15A7	TT328-170		TTG35	
Civic	SA, SB, SF	03/73	12/79	4	1.2L	EB1-3	TT240-180	TT2040-180	TTG2U TTG30	Check illustrations for correct application
Civic	SEA	10/74	12/78	4	1.5L	EC,ED	TT240-180	TT2040-180	TTG2U TTG30	Check illustrations for correct application
Civic	WB	02/76	12/78	4	1.5L	EC	TT240-180	TT2040-180	TTG2U TTG30	Check illustrations for correct application
Civic	SL, WC	11/79	12/83	4	1.3L	EN1	TT242-170	TT2042-170	TTG35	Check illustrations for correct application
Civic	AH, AK, AN	01/84	12/87	4	1.5L	EW2	TT242-180	TT2042-180	TTG9	
Civic	EE - Twin Carb.	11/87	05/89	4	1.5L	D15B4	TT242-170	TT2042-170	TTG35	
Civic	ED3, 6 - Twin Carb.	05/89	09/91	4	1.5L	D15B4	TT242-170	TT2042-170	TTG35	
Civic	EG - Carb.	10/91	10/93	4	1.3L	D13B2	TT328-170		TTG35	
Civic	EG (NZ only)	01/91	01/96	4	1.5L	D15B	TT328-170		TTG35	
Civic	EG - Twin Carb.	10/91	10/93	4	1.5L	D15B4	TT242-170	TT2042-170	TTG35	
Civic	EG - EFI	06/93	09/95	4	1.5L	D15Z1	TT242-180	TT2042-180	TTG11	
Civic	EG - Carb.	10/93	09/95	4	1.5L	D15Z2	TT328-170		TTG11	
Civic	EG - EFI	10/93	09/95	4	1.5L	D15B7	TT328-170		TTG11	
Civic	EH - DOHC	10/91	10/93	4	1.6L	D16A8	TT242-180	TT2042-180	TTG11	
Civic	EH - SOHC	10/93	09/95	4	1.6L	D16Y1	TT328-170		TTG35	
Civic	EK (NZ only)	01/95	01/00	4	1.3L	D13B	TT328-170		TTG35	
Civic	EK1	10/95	11/00	4	1.6L	D16Y4	TT328-170		TTG11	
Civic	EK1 - Vti	10/95	11/00	4	1.6L	D16Y5	TT328-170		TTG35	
Civic	EK4 - VTi-R	10/95	11/00	4	1.6L	B16A2	TT328-170		TTG35	
Civic	EJ	01/96	01/99	4	1.6L	D16Y	TT242-170	TT2042-170	TTG35	
Civic	EJ81 - VTi-R	03/99	11/00	4	1.6L	B16A2	TT328-170		TTG11	
Civic	EJ82 - GLI	03/99	10/00	4	1.6L	D16Y8	TT328-170		TTG35	
Civic	ES	01/00	01/06	4	1.7L	D17Z	TT328-170		TTG11	
Civic	EU	10/00	02/02	4	1.7L	D17A2	TT328-170		TTG11	
Civic	ES, EU	02/02	01/06	4	1.7L	D17A1	TT328-170		TTG11	
Civic	Hybrid	02/04	01/06	4	1.3L		—	TT528-180	INC	
Civic	Hybrid	02/06	12/10	4	1.3L		TT328-170		TTG11	
Civic	FD - Inc. Sports	01/05	12/10	4	2.0L	K20Z,2	TT636-172		INC	
Civic	FD - Vti	01/05	12/10	4	1.8L		TT328-180		TTG11	
Civic	30 - Type R	07/07	12/10	4	2.0L	K20Z4	TT636-172		INC	
Civic	FK - FK2	01/08	12/10	4	1.8L	R18A2	TT328-180		TTG11	
Concerto	MA	11/88	01/93	4	1.6L	D16Z2	TT242-170	TT2042-170	TTG11	
CR-V	RD (NZ only)	01/96	01/97	4	2.0L	B20B1	TT242-170	TT2042-170	TTG35	
CR-V	RD1 - RD	09/97	12/01	4	2.0L	B20B3	TT328-170		TTG35	

Make and Model		Year		Engine			Part Number			Notes
		Start	Finish	Cyl	Size	Model	Standard Thermostat	High Flow Thermostat	Gasket	
Honda cont.										
CR-V	RD7	12/01	01/07	4	2.4L	K24A1	TT432-192P		INC	
CR-V	MY07	02/07	12/10	4	2.4L	K24Z1	TT636-172		INC	
CRX	ED9	11/87	05/92	4	1.6L	D16A8	TT242-170	TT2042-170	TTG11	
CRX	EG2	09/92	09/98	4	1.6L	B16A2	TT328-170		TTG11	
HR-V	GH(2, 4)	01/99	07/02	4	1.6L	D161W1	TT328-170		TTG35	
Insight		05/01	06/04	4	1.0L	ECA1	—	TT446-192	INC	Check illustrations for correct application
Integra	DA(3, 4)	05/86	05/89	4	1.6L	D16A3	TT242-180	TT2042-180	TTG15 TTG30	Check illustrations for correct application
Integra	DA9	06/89	07/93	4	1.8L	B18A1	TT328-170		TTG15 TTG30	Check illustrations for correct application
Integra	DC4 - GSi	07/93	12/99	4	1.8L	B18B2	TT242-180	TT2042-180	TTG15 TTG30	Check illustrations for correct application
Integra	DC2 - VTi-R	07/93	12/99	4	1.8L	B18C2	TT328-170		TTG35	
Integra	DC2 - Type R	10/99	08/01	4	1.8L	B18C7	TT328-170		TTG35	
Integra	Luxury	09/01	04/07	4	2.0L	K20A3	TT432-192P		INC	
Integra	Type R	09/01	10/04	4	2.0L	K20A2	TT432-192P		INC	
Integra	Type S	10/04	04/07	4	2.0L	K20A2	TT432-192P		INC	
Jazz	GD	10/02	08/08	4	1.3L	L13A1	—	TT528-180	INC	
Jazz	GD	01/05	01/07	4	1.3L	L13A	TT328-170		TTG35	
Jazz	GE - MY09	08/08	12/10	4	1.3L	L13Z1	TT328-170		TTG35	
Jazz	GD - Inc. Vti(S)	10/02	08/08	4	1.5L	L15A1	—	TT528-180	INC	
Jazz	GE - MY09	08/08	12/10	4	1.5L	L15A7	TT328-170		TTG35	
Legend	KA2	05/86	12/87	V6	2.5L	C25A1	TT242-180	TT2042-180	TTG35	
Legend	KA3	11/87	03/91	V6	2.7L	C27A1	TT242-180	TT2042-180	TTG35	
Legend	KA7	04/91	03/96	V6	3.2L	C32A3	—	TT302-180	TTG45	
Legend	KA9	05/96	03/98	V6	3.5L	C35A3	—	TT302-170	TTG45	
Legend	KA	01/96	01/04	V6	3.5L	C35A	—	TT302-170	TTG31	
Legend	KB	01/06	01/09	V6	3.5L,3.7L	J35A,J37A	—	TT302-170	TTG31	
Logo	GA (NZ only)	01/96	01/01	4	1.3L	D13B	TT328-170		TTG34	
MDX		03/03	04/07	V6	3.5L		—	TT302-170	TTG31	
NSX	NA	01/91	01/97	V6	3.0L	C30A1,3	—	TT302-170	TTG45	
NSX	NB	04/97	03/02	V6	3.0L	C30A4	—	TT302-170	TTG45	
NSX	NB	04/97	03/02	V6	3.2L	CA32A1	—	TT302-180	TTG45	
Odyssey	RA	01/94	01/97	4	2.2L	F22B	TT328-170		TTG35	
Odyssey	RA	01/97	01/00	V6	3.0L	J30A	TT328-170		TTG35	
Odyssey	RA	01/00	01/04	V6	3.0L	J30A	—	TT302-170	TTG31	
Odyssey	RA1	06/95	12/97	4	2.2L	F22B3,6	TT328-170		TTG11	
Odyssey	RA3	01/98	04/00	4	2.3L	F23A1,7	TT328-170		TTG11	
Odyssey	RA6	04/00	05/04	4	2.3L	F23Z4	TT328-170		TTG11	
Odyssey	RA9	04/00	05/04	V6	3.0L	J30A3	—	TT302-170	TTG45	
Odyssey	Luxury	06/04	06/06	4	2.4L	K24A6	TT636-172		INC	
Odyssey	20	07/06	03/09	4	2.4L	K24A6	TT636-172		INC	
Odyssey	RB	04/09	12/10	4	2.4L	K24Z	TT636-172		INC	
Orthia	EL (NZ only)	01/96	01/01	4	2.0L	B20B	TT242-180	TT2042-180	TTG35	
Prelude	SNF	05/79	01/82	4	1.6L	EL	TT240-180	TT2040-180	TTG2U	
Prelude	AB7	01/83	12/85	4	1.8L	ES	TT240-180	TT2040-180	TTG2U TTG35	Check illustrations for correct application
Prelude	BA3 - Si	01/86	09/87	4	2.0L	A20A4	TT240-180 TT240-192	TT2040-180 TT2040-192	TTG2U TTG35	Check illustrations for correct application
Prelude	BA4, BA5	08/87	12/91	4	2.0L	B20A6	TT240-180	TT2040-180	TTG2U TTG35	Check illustrations for correct application
Prelude	BA8	12/91	12/96	4	2.2L	F22A1	TT328-170		TTG11	
Prelude	BB1 - VTi-R	02/94	12/96	4	2.2L	H22A1	—	TT302-170	TTG45	
Prelude	BB2	12/91	12/94	4	2.3L	H23A1	TT328-170		TTG11	
Prelude	BB5	01/97	07/02	4	2.2L	F22Z6	TT328-170		TTG11	
Prelude	BB6 - VTi-R	01/97	07/02	4	2.2L	H22A4	TT328-170		TTG11	
Rafaga	CE (NZ only)	01/93	01/98	5	2.0L	G20A	—	TT336-180	TTG45	
S2000		08/99	12/10	4	2.0L	F20C1	—	TT302-170	TTG31	
HSV										
Clubsport R8 - V8	VE	08/06	03/08	V8	6.0L	LS2	—	TT456-187	INC	
Clubsport R8 - V8	VE	04/08	12/10	V8	6.2L	LS3	—	TT523-187	INC	
Grange - V6	WM	01/07	01/08	V6	3.6L	H7	TT479-180P			
Grange - V8	WM	08/06	03/08	V8	6.0L	L98	—	TT456-187	INC	

Vehicle Application List

Make and Model		Year		Engine			Part Number			Notes
		Start	Finish	Cyl	Size	Model	Standard Thermostat	High Flow Thermostat	Gasket	
HSV Cont.										
Grange - V8	WM	03/07	03/08	V8	6.0L	LS2	—	TT456-187	INC	
Grange - V8	WM	04/08	08/09	V8	6.2L	LS3	—	TT523-187	INC	
Grange - V8	WM	03/07	03/08	V8	6.0L	L76	—	TT456-187	INC	
GTO - V8	V2	01/06	01/07	V8	6.0L	LS2	—	TT456-187	INC	
GTS - V8	VE	01/06	01/07	V8	6.0L	LS2	—	TT456-187	INC	
GTS - V8	VE	04/08	12/10	V8	6.2L	LS3	—	TT523-187	INC	
Maloo - V8	VE - Inc. R8	01/06	03/08	V8	6.0L	LS2	—	TT456-187	INC	
Maloo - V8	VE	04/08	12/10	V8	6.2L	LS3	—	TT523-187	INC	
Monaro - V8	VX	01/06	01/07	V8	6.0L	LS2	—	TT456-187	INC	
Senator - V8	VE	08/06	03/08	V8	6.0L	LS2	—	TT456-187	INC	
Senator - V8	VE	04/08	12/10	V8	6.2L	LS3	—	TT523-187	INC	
VXR	AH - Turbo	09/06	09/09	4	2.0L	Z20LEH	TT350-198P		INC	
Hummer										
H3		10/07	06/10	5	3.7L	M74 Vortec	TT538-187		INC	
Hyundai										
Accent	CG51F (NZ only)	01/99	12/02	4	1.3L	G4EA	TT335-192		TTG49 TTG50	Check illustrations for correct application
Accent	LC	06/00	03/03	4	1.5L	G4	TT373-180		TTG58	
Accent	LS	09/03	04/06	4	1.6L	G4EC2	TT373-180		TTG58	
Accent	MC	04/06	04/10	4	1.6L	G4ED5	TT373-180			
Coupe	SX	07/96	08/99	4	1.8L	G4GMT	TT373-180		TTG2U	
Coupe	SX	09/99	04/02	4	1.8L	G4GMT	TT373-180		TTG2U	
Coupe	FX, SFX	07/96	04/02	4	2.0L	G4GFT	TT373-180		TTG2U	
Elantra	FC	10/01	05/04	4	1.8L	G4GB	TT373-180		TTG2U	
Elantra	XD	10/00	09/03	4	1.8L	G4GB	TT373-180		TTG2U	
Elantra	XD	11/00	02/07	4	2.0L	G4GC	TT373-180		TTG2U	
Elantra	HD	09/06	12/10	4	2.0L	G4GC6	TT373-180		TTG2U	
Excel	X1	02/86	12/89	4	1.5L	G4AJ	TT240-192	TT2040-192	TTG9	
Excel	X2	01/90	11/94	4	1.5L	G4DJ	TT240-192	TT2040-192	TTG9	
Excel	X3 - SOHC	09/94	04/98	4	1.5L	G4EKR	TT335-192		TTG29U	
Excel	X3 - DOHC	01/98	06/00	4	1.5L	G4FKR	TT373-180		TTG58	
Getz	TB	03/03	10/05	4	1.3L	G4EA2	TT1-195	TT2000-195	TTG29U	
Getz	TB	10/05	12/10	4	1.4L	G4EE	TT373-180		TTG58	
Getz	TB	09/02	05/05	4	1.5L	G4EC2	TT373-180		TTG58	
Getz	TB	10/05	12/10	4	1.6L	G4ED	TT373-180		TTG58	
Grandeur	XG	09/99	01/04	V6	3.0L	G6CTX	—	TT297-180	TTG45	
Grandeur	TG	02/06	12/10	V6	3.8L	Lambda	—	TT635-180	INC	
Grandeur	TG (Turbo Diesel)	11/08	12/10	4	2.2L	D4EB	TT233-180	TT2033-180	TTG2U	
i30	FD	10/07	12/10	4	2.0L	G4GC	TT373-180		TTG2U	
i30cw		03/09	12/10	4	2.0L		TT373-180			
i45		05/10	12/10	4	2.4L		TT373-180			
iLoad	TQ-V	02/08	12/10	4	2.4L	G4KG8	—	TT302-170		
iLoad	TQ-V (Turbo Diesel)	02/08	12/10	4	2.5L	D4CB	TT228-180	TT2028-180		
iMax	TQ-W	02/08	12/10	4	2.4L	G4KG8	—	TT302-170		
iMax	TQ-W (Turbo Diesel)	02/08	12/10	4	2.5L	D4CB	TT228-180	TT2028-180		
ix35	LM	02/10	12/10	4	2.0L, 2.4L	G4KD	TT373-180			
ix35	LM (Turbo Diesel)	02/10	12/10	4	2.0L	D4HA	—	TT302-180		
Lantra	J1	05/91	10/92	4	1.6L	G4CR	TT240-192	TT2040-192	TTG9	
Lantra	J2	11/92	08/95	4	1.8L	G4CNM	TT240-192	TT2040-192	TTG9	
Lantra	J3	08/95	12/00	4	1.8L	G4GMR	TT373-180		TTG2U	
Lantra	J3	02/99	12/00	4	2.0L		TT373-180		TTG2U	
S Coupe		07/90	12/92	4	1.5L	G4DJ	TT240-192	TT2040-192	TTG9	
S Coupe		10/92	12/96	4	1.5L	G4EKM	TT335-192		TTG29U	
S Coupe	Turbo	10/92	04/95	4	1.5L	G4EKT	TT335-192		TTG9	
Santa Fe	SM (NZ only)	10/00	10/03	4	2.4L	G4JS	—	TT281-180		
Santa Fe		10/00	10/04	V6	2.7L	G6EAY	—	TT297-180	TTG45	
Santa Fe		10/04	10/09	V6	2.7L	G6EA	—	TT302-180		
Santa Fe	CM	07/07	11/08	V6	3.3L	G6DB	—	TT635-180	INC	
Santa Fe	CM (Turbo Diesel)	11/06	12/10	4	2.2L	D4EB6, D4HB	TT233-180	TT2033-180	TTG2U	
Sonata	DF	10/93	08/98	4	2.0L	G4CPP	TT240-192	TT2040-192	TTG9	
Sonata	EM	08/98	10/01	4	2.0L	G4JPV	TT240-192	TT2040-192	TTG15 TTG25	Check illustrations for correct application
Sonata	NF	06/08	12/10	4	2.0L	D4EA	TT233-180	TT2033-180	TTG2U	

Make and Model		Year		Engine			Part Number			Notes
		Start	Finish	Cyl	Size	Model	Standard Thermostat	High Flow Thermostat	Gasket	
Hyundai cont.										
Sonata	AF	03/89	01/92	4	2.4L	G4CSK	TT240-192	TT2040-192	TTG9	
Sonata	EF	10/01	06/05	4	2.4L		TT240-192	TT2040-192		
Sonata	NF	06/05	05/08	4	2.4L	Theta	—	TT302-170		
Sonata	NF	06/08	12/10	4	2.4L	G4KE	TT373-180			
Sonata	EN1, 4	08/98	10/01	V6	2.5L	G6BVV	—	TT302-180	TTG45	
Sonata	EF-B	10/01	06/05	V6	2.7L	G6BA	—	TT301-180	INC	
Sonata	AF	04/90	01/93	V6	3.0L	G6AT	TT240-192	TT2040-192	TTG9	
Sonata	DF	10/93	08/98	V6	3.0L	G6ATP/S	TT240-192	TT2040-192	TTG9	
Sonata	NF	06/05	05/08	V6	3.3L	Lambda	—	TT635-180	INC	
Terracan		11/01	07/08	V6	3.5L	G6CU	—	TT302-180		
Terracan	CRDi	01/05	07/08	4	2.9L	J3	—	TT329-192	TTG36	
Tiburon	GK	03/02	04/04	4	2.0L	G4GC	TT373-180		TTG65	
Tiburon		03/02	01/07	V6	2.7L		TT302-180 TT373-180			Check illustrations for correct application
Trajjet		06/02	12/10	V6	2.7L		—	TT302-180		
Tucson		11/05	01/10	4	2.0L	G4GC	TT373-180		TTG2U	
Tucson		01/06	12/10	4	2.0L	D4EA	TT373-180			
Tucson		08/04	01/10	V6	2.7L	G6BA3	—	TT302-180	TTG65	
Isuzu										
Bighorn	UBS13 (NZ only)	01/81	12/87	4	1.9L	G200Z	TT241-180	TT2041-180	TTG4	
Bighorn	UBS25 (Petrol) (NZ only)	11/91	02/98	V6	3.2L	6VD1	—	TT320-170	TTG45	
Bighorn	UBS52 Turbo Diesel (NZ only)	01/84	12/89	4	2.2L	C223T	TT272-180		TTG28 TTG29U	Check illustrations for correct application
Bighorn	UBS55 Inc. Turbo (NZ only)	01/87	12/92	4	2.8L	4JB1,T	TT272-180 TT382-185		TTG4 TTG28 TTG29U	Check illustrations for correct application
Bighorn	UBS69 Turbo Diesel (NZ only)	12/91	02/98	4	3.1L	4JG2T	TT241-180	TT2041-180	TTG4	
F Series	FDR11	08/84	12/06	6	5.8L	6BD1-T	TT8073-180P			
F Series	FDR32	01/92	12/06	6	7.1L	6HE1-STD	— —	TT8010-180P TT8017-180P		TT8010-180P (Inner), TT8017-180P (Outer)
F Series	FRR11	01/84	12/06	6	5.8L	6BD1-T	TT8073-180P			
F Series	FRR12	01/84	12/06	6	6.5L	6BG1	TT8073-180P			
F Series	FRR32	01/70	12/06	6	7.1L	6HE1-N, STD,TC	— —	TT8010-180P TT8017-180P		TT8010-180P (Inner), TT8017-180P (Outer)
F Series	FSR12	08/85	12/06	6	6.5L	6BG1	TT8073-180P			
F Series	FTR11	08/85	08/88	6	5.8L	6BD1-T	TT8073-180P			
F Series	FTR12	08/85	12/06	6	6.5L	6BG1	TT8073-180P			
MU	UCS17	02/89	12/94	4	2.6L	4ZE1	TT241-180	TT2041-180		
MU	UCS55 (NZ only)	05/90	12/94	4	2.8L	4JB1	TT326-180			
N Series	NHR54	03/86	12/06	4	2.5L	4JA1	TT326-180			
N Series	NHR55	03/86	12/06	4	2.8L	4JB1	TT326-180			
N Series	NHR69	05/93	12/06	4	3.1L	4JG2	TT385-185P		INC	
N Series	NKR55	01/70	12/06	4	2.8L	4JB1	TT326-180			
N Series	NKR(56-63)	11/85	12/06	4	3.3L-3.9L	4BA1- E2	TT8039-180P			
N Series	NKR69	05/93	12/06	4	4.3L	4HF1	TT385-185P		INC	
N Series	NKS58	01/70	12/06	4	3.6L	4BE1	TT8039-180P			
N Series	NPR(57-61)	02/86	05/89	4	3.3L-4.3L	4BC2-G1	TT8039-180P			
N Series	NPS(58, 59)	01/70	12/06	4	3.6L,3.9L	4BD,E1	TT8039-180P			
Jaguar										
240		03/68	12/69	6	2.5L		TT233-180	TT2033-180	TTG28 TTG29U	Check illustrations for correct application
340		03/68	12/69	6	3.4L		TT233-180	TT2033-180	TTG28 TTG29U	Check illustrations for correct application
420		10/66	12/71	6	4.2L		TT1-180	TT2000-180	TTG20U	
E Type	Ser.1	03/62	07/65	6	3.8L		TT233-180	TT2033-180	TTG28 TTG29U	Check illustrations for correct application
E Type		08/65	12/69	6	4.2L		TT233-180	TT2033-180	TTG28 TTG29U	Check illustrations for correct application
E Type		03/69	05/72	6	4.2L		TT1-180 TT233-180	TT2000-180 TT2033-180	TTG28 TTG29U	Check illustrations for correct application
E Type		06/72	10/74	V12	5.3L	7P	TT233-180	TT2033-180	TTG28 TTG29U	Check illustrations for correct application
Majestic		10/93	10/94	6	4.0L	9EP	—	TT248-180	TTG33	
Mk II		01/60	12/68	6	2.5L, 3.4L		TT1-180	TT2000-180	TTG29U	

Vehicle Application List

Make and Model		Year		Engine			Part Number			Notes
		Start	Finish	Cyl	Size	Model	Standard Thermostat	High Flow Thermostat	Gasket	
Jaguar cont.										
Mk II		01/60	12/67	6	3.8L		TT1-180	TT2000-180	TTG20U	
Mk 9		01/55	12/61	6	3.8L		TT1-180	TT2000-180	TTG29U	
Mk 10		01/62	10/66	6	3.8L,4.2L		TT1-180	TT2000-180	TTG29U	
S Type		09/64	03/69	6	3.4L		TT1-180	TT2000-180	TTG29U	
S Type		04/64	03/69	6	3.8L		TT1-180	TT2000-180	TTG20U	
S Type	V6 - 2.5	07/02	07/04	V6	2.5L	AJ-V6	—	TT354-189P		
S Type		05/99	07/04	V6	3.0L		—	TT354-189P		
S Type		03/06	12/10	V6	3.0L		—	TT354-189P		
S Type	V8	05/99	06/02	V8	4.0L	AJ26	—	TT304-170	TTG33	
S Type	Inc. Supercharged	07/02	12/10	V8	4.2L		—	TT304-183		
Sovereign		10/98	08/03	V8	3.2L	AJ6	—	TT304-170	TTG33	
Sovereign		03/87	09/89	6	3.6L	9DPBP	—	TT247-192	TTG33	
Sovereign		10/89	12/94	6	4.0L	9EP	—	TT247-192	TTG33	
Sovereign		10/94	01/97	6	4.0L	9JP	—	TT304-170	TTG33	
Sovereign	Supercharged	11/97	08/03	V8	4.0L	AJ26	—	TT304-170	TTG33	
Sovereign		01/83	03/87	6	4.2L	8L	TT233-180	TT2033-180	TTG28 TTG29U	Check illustrations for correct application
Sovereign		02/86	12/89	V12	5.3L	7P	TT233-180	TT2033-180	TTG28 TTG29U	Check illustrations for correct application
X Type		10/01	02/05	V6	2.5L		TT631-180		INC	
X Type		10/01	12/10	V6	3.0L		TT631-180		INC	
XJ6	Series I	04/69	12/73	6	2.8L	7G	TT233-180	TT2033-180	TTG28 TTG29U	Check illustrations for correct application
XJ6	Series I	01/69	12/74	6	4.2L		TT233-180	TT2033-180	TTG28 TTG29U	Check illustrations for correct application
XJ6	Series II	01/74	07/79	6	4.2L		TT233-180	TT2033-180	TTG28 TTG29U	Check illustrations for correct application
XJ6	Series III	08/79	03/87	6	4.2L	8L	TT233-180	TT2033-180	TTG28 TTG29U	Check illustrations for correct application
XJ6	XJ40	03/87	09/89	6	3.6L	9DPBP	—	TT248-192	TTG33	
XJ6	XJ40	10/89	08/92	6	4.0L	9EP	—	TT247-192	TTG33	
XJ6		10/91	01/97	6	3.2L	9B,HP	—	TT304-192	TTG33	
XJ6		07/92	10/97	6	4.0L	9E,JP	—	TT247-192	TTG33	
XJ6		03/04	03/06	V6	3.0L	AJ-V6	—	TT480-180		
XJ8		11/97	06/03	V8	3.2L	AJ6	—	TT304-170	TTG33	
XJ8	Inc. X350	06/03	09/10	V8	3.5L		—	TT304-183		
XJ8		11/97	06/03	V8	4.0L	AJ26,BC	—	TT304-170	TTG33	
XJ8	Inc. Supercharged	06/03	12/10	V8	4.2L		—	TT304-183		
XJ12		03/73	01/92	V12	5.3L	7P	TT233-180	TT2033-180	TTG28 TTG29U	Check illustrations for correct application
XJ12		11/92	12/94	V12	6.0L	8C	TT233-180	TT2033-180	TTG28 TTG29U	Check illustrations for correct application
XJ12		10/94	12/95	V12	6.0L	8E	TT233-192	TT2033-192	TTG28 TTG29U	Check illustrations for correct application
XJC		01/70	12/84	6	4.2L		TT233-180	TT2033-180	TTG28 TTG29U	Check illustrations for correct application
XJR		11/94	10/97	6	4.0L	9KP	TT233-192	TT2033-192	TTG28 TTG29U	Check illustrations for correct application
XJR		11/97	12/06	V8	4.0L		—	TT304-192		
XJR-S		11/92	09/93	V12	6.0L	8S	TT233-180	TT2033-180	TTG28 TTG29U	Check illustrations for correct application
XJS	Sport	02/92	12/96	6	4.0L	9EP	—	TT304-170	TTG33	
XJS		09/76	09/93	V12	5.3L	7P	TT233-180	TT2033-180	TTG28 TTG29U	Check illustrations for correct application
XJS		10/93	12/96	V12	6.0L	8S	TT233-180	TT2033-180	TTG28 TTG29U	Check illustrations for correct application
XJSC		10/85	11/88	V12	5.3L		TT233-180	TT2033-180	TTG28 TTG29U	Check illustrations for correct application
XK8		10/96	10/02	V8	4.0L	AJ/BC	—	TT304-192	TTG33	
XKR		05/98	10/02	V8	4.0L	AJ/BC	—	TT304-192	TTG33	
XK150		01/55	12/61	6	3.8L		TT1-180	TT2000-180		
Jeep										
Cherokee		03/79	04/85	V8	5.9L		TT1-180	TT2000-180	TTG10	
Cherokee	XJ - Turbo Diesel	09/97	09/01	4	2.5L	250VX,VM	TT1-180	TT2000-180		
Cherokee	XJ Limited	04/94	01/98	6	4.0L	312MX	TT1-190	TT2000-190	TTG55	
Cherokee	XJ Sport	04/94	11/96	6	4.0L	312MX	TT244-180		TTG55	
Cherokee	XJ Sport	08/97	06/00	6	4.0L	312MX	TT1-195	TT2000-195	TTG55	

Make and Model		Year		Engine			Part Number			Notes
		Start	Finish	Cyl	Size	Model	Standard Thermostat	High Flow Thermostat	Gasket	
Jeep cont.										
Cherokee	KJ	02/04	02/06	4	2.4L	EDO	TT340-195		INC	
Cherokee	KJ - Turbo Diesel	09/01	11/03	4	2.5L		TT1-180	TT2000-180		
Cherokee	KJ	09/01	02/08	V6	3.7L	2W,EKO	TT420-195		INC	
Cherokee	KK	03/08	12/10	V6	3.7L	8W	TT420-195		INC	
CJ5	Soft Top	06/73	12/77	6	3.8L		TT1-180	TT2000-180		
CJ6	Hard Top	06/73	12/77	6	3.8L		TT1-180	TT2000-180		
CJ7		06/81	12/83	4	2.5L		TT1-180	TT2000-180	TTG55	
CJ7	Renegade	09/78	12/81	6	4.2L		TT244-180		TTG55	
CJ8	Overlander	11/83	04/85	6	4.2L		TT244-180		TTG55	
Commander	XH	05/06	12/10	V8	4.7L	EVA	TT420-195		INC	
Commander	XH	05/06	12/10	V8	5.7L	EZB/O	TT420-195		INC	
Grand Cherokee	ZG	03/96	06/99	6	4.0L	508MX	TT1-195	TT2000-195	TTG55	
Grand Cherokee	WJ	06/99	10/00	6	4.0L	ERO	TT1-195 TT244-180	TT2000-195 —	TTG55 TTG55	Check illustrations for correct application
Grand Cherokee	WJ	06/99	10/00	V8	4.7L	EVO	TT420-195		INC	
Grand Cherokee	WG - Turbo Diesel	03/03	06/05	5	2.7L	ENF/O	TT503-189 TT505-189		INC INC	Check illustrations for correct application
Grand Cherokee	WG	11/00	01/04	6	4.0L	ERO	TT1-195	TT2000-195	TTG55	
Grand Cherokee	WG	11/00	06/05	V8	4.7L	EVA,C,O	TT420-195		INC	
Grand Cherokee	WH	06/05	12/10	V8	4.7L	EVO,XY	TT420-195		INC	
Grand Cherokee	WH - Overland	04/10	12/10	V8	5.7L	Hemi	TT420-195		INC	
Grand Cherokee	WH - SRT 8	08/06	12/10	V8	6.1L	6Y	TT420-195		INC	
J10		11/82	04/85	6	4.2L		TT244-180		TTG55	
J20		07/81	04/85	6	4.2L		TT244-180		TTG55	
J20		07/81	04/85	V8	5.9L		TT1-180	TT2000-180	TTG10	
Patriot	MT - Turbo Diesel	08/07	12/10	4	2.0L		TT340-195		INC	
Renegade		06/81	12/83	4	2.5L		TT1-180	TT2000-180		
Renegade		01/81	12/84	6	4.2L		TT244-180		TTG55	
Wrangler	TJ	10/96	01/00	6	4.0L	MX,ER	TT1-195 TT244-180	TT2000-195 —	TTG55 TTG55	Check illustrations for correct application
Wrangler	TJ	01/00	09/02	6	4.0L	ERO	TT1-195	TT2000-195	TTG55	
Wrangler	TJ	09/02	02/07	6	4.0L	ERO	TT1-195 TT340-195	TT2000-195 —	TTG55 INC	Check illustrations for correct application
Wrangler Inc. Rubicon	JK	03/07	12/10	V6	3.8L	EGT	TT340-195		INC	
Kia										
Carens		07/00	10/02	4	1.8L	TB	TT240-192	TT2040-192	TTG2U	
Carnival	VQ	08/06	12/10	V6	2.7L	G6EA	—	TT302-180	TTG45	
Carnival	VQ - Turbo Diesel	01/08	12/10	4	2.9L	J3	—	TT329-192	TTG36	
Cerato	LD	06/04	01/09	4	2.0L	G4GC	TT373-180		TTG2U	
Cerato	TD	01/09	12/10	4	2.0L	G4KD	TT373-180			
Ceres	S28A - Diesel	09/92	12/96	4	2.2L	S2	TT240-180	TT2040-180	TTG2U	
Ceres	KW52 - Diesel	07/96	02/00	4	2.4L	SC	—	TT329-180	TTG17	Check illustrations for correct application
Credos	G11	05/98	12/99	4	2.0L	FED	—	TT323-192	TTG2U	
Credos	G11	12/99	05/01	4	2.0L	FED	TT414-190		TTG2U	
Grand Carnival	VQ	01/06	05/10	V6	3.8L	G6DA	—	TT635-180	INC	
Grand Carnival	VQ - Turbo Diesel	03/09	12/10	4	2.9L	J3	—	TT329-192	TTG36	
K2700	TU - PU Diesel	10/02	03/08	4	2.7L	J2	—	TT329-180	TTG36	
K2900	PU3 - Turbo Diesel	04/08	12/10	4	2.9L	J3	—	TT329-192		
Magentis	MG	08/06	12/10	4	2.4L	G4KC	—	TT302-170		
Magentis	(NZ Only)	01/09	12/10	4	2.4L	G4KE	TT373-180			
Magentis	MG	06/06	08/08	V6	2.7L	MG	—	TT302-180		
Mentor		01/96	01/01	4	1.5L	B5	TT240-180	TT2040-180	TTG2U	
Mentor		05/98	06/00	4	1.5L	BF-E	TT240-180	TT2040-180	TTG2U	
Mentor	(NZ Only)	01/96	01/98	4	1.6L	B6	TT240-192	TT2040-192	TTG2U	
Mentor		05/98	06/00	4	1.8L	TE	TT240-180	TT2040-180	TTG2U	
Optima	GD	05/01	04/04	V6	2.5L	G6BV	—	TT302-180		
Optima	GD	04/04	07/06	V6	2.7L	G6BA	—	TT302-180		
Pregio	CT - Diesel	07/02	04/06	4	2.7L	J2	—	TT329-180	TTG36	
Pride	(NZ Only)	01/93	01/97	4	1.3L	B3	TT240-180	TT2040-180	TTG2U	
Rio	BC	07/00	09/05	4	1.5L	A5D	TT240-192	TT2040-192	TTG2U	
Rio	JB	03/07	11/09	4	1.4L	G4EE	TT373-180		TTG58	
Rio	JB	09/05	12/10	4	1.6L	G4ED	TT373-180			

Vehicle Application List

Make and Model		Year		Engine			Part Number			Notes
		Start	Finish	Cyl	Size	Model	Standard Thermostat	High Flow Thermostat	Gasket	
Kia cont.										
Rondo	UN	04/08	12/10	4	2.0L	G4KA8	—	TT302-170		
Shuma	FB	12/99	04/01	4	1.8L	TE	TT240-180	TT2040-180	TTG2U	
Sorento	BL	02/03	09/09	V6	3.5L	G6CU	—	TT302-180		
Sorento	BL	08/06	09/07	V6	3.8L		—	TT635-180	INC	
Sorento	BL	08/07	09/09	V6	3.3L		—	TT635-180	INC	
Sorento	BL - Turbo Diesel	08/07	09/09	4	2.5L	D4CB6	TT228-180	TT2028-180	TTG2U	
Sorento	JC - Diesel (NZ Only)	01/05	01/07	4	2.5L	A5	TT228-180	TT2028-180	TTG2U	
Sorento	XM	10/09	12/10	4	2.3L	G4KE	TT373-180			
Sorento	XM - Turbo Diesel	10/09	12/10	4	2.2L	D4HB	—	TT302-180		
Spectra	FB	05/01	03/04	4	1.8L	TE	TT240-180	TT2040-180	TTG2U	
Sportage		12/96	05/99	4	2.0L	FE	—	TT323-192	TTG16	
Sportage		05/99	06/00	4	2.0L	FE	TT414-190		TTG16	
Sportage		06/00	03/04	4	2.0L	FE	TT240-192	TT2040-192	TTG16	
Sportage	KM	08/07	07/10	4	2.0L	G4GC	TT373-180		TTG2U	
Sportage	KM	04/05	03/10	V6	2.7L	G6BA	—	TT302-180		
Sportage	KM - Turbo Diesel	08/07	03/10	4	2.0L		TT233-180	TT2033-180	TTG2U	
Land Rover										
110		11/84	12/91	V8	3.5L	17G,24G	TT1-180	TT2000-180	TTG15	
110		11/84	12/91	4	3.9L	4BD1	TT1-180	TT2000-180	TTG15 TTG29U	
3.5		03/81	12/84	V8	3.5L	12G	TT1-180	TT2000-180	TTG15	
3.9	Diesel	10/81	12/84	4	3.9L	4BD1	TT1-180	TT2000-180	TTG29U	
Defender	Turbo Diesel	09/92	03/99	4	2.5L	11L	TT1-180 TT265-180 TT388-190	TT2000-180 TT2065-180 —	TTG20U TTG20U INC	Check illustrations for correct application
Defender	110 - Diesel	03/93	02/99	4	2.5L	16L	TT1-180 TT265-180 TT388-190	TT2000-180 TT2065-180 —	TTG20U TTG20U INC	Check illustrations for correct application
Defender	110 - Turbo Diesel	02/99	10/99	4	2.5L	11L	TT1-180 TT265-180 TT388-190	TT2000-180 TT2065-180 —	TTG20U TTG20U INC	Check illustrations for correct application
Defender	110 - Turbo Diesel	02/99	02/02	5	2.5L	10P	TT1-180 TT265-180 TT388-190	TT2000-180 TT2065-180 —	TTG20U TTG20U INC	Check illustrations for correct application
Defender	110 - TD5	04/02	10/06	5	2.5L		TT388-190		INC	Check illustrations for correct application
Defender	130 - Turbo Diesel	11/94	03/99	4	2.5L	11L	TT1-180 TT265-180 TT388-190	TT2000-180 TT2065-180 —	TTG20U TTG20U INC	Check illustrations for correct application
Defender	130 - Turbo Diesel	03/99	07/03	5	2.5L	10P	TT1-170 TT1-180	TT2000-170 TT2000-180	TTG20U TTG20U	Check original thermostat temperature for correct application
Defender	90 - Turbo Diesel	08/03	04/06	5	2.5L	10P	TT1-180	TT2000-180	TTG20U	
Discovery	Turbo Diesel	03/93	01/97	4	2.5L	12L	TT265-180	TT2065-180	TTG20U	
Discovery	Turbo Diesel	03/97	12/99	4	2.5L	18L	TT265-180	TT2065-180	TTG11 TTG20U	
Discovery	Turbo Diesel	03/99	10/02	5	2.5L	10P	TT439-180P			
Discovery		04/91	10/93	V8	3.5L	17G	TT1-190	TT2000-190	TTG15	
Discovery		11/93	03/99	V8	3.9L	37D,38D	TT1-190	TT2000-190	TTG15	
Discovery		02/99	10/02	V8	4.0L	55D	TT439-180P			
Discovery II	Series II Turbo Diesel	10/02	11/04	5	2.5L	10P	TT439-180P			
Discovery II	Series II	10/02	11/04	V8	4.0L	55D	TT439-180P			
Freelander		02/98	07/03	4	1.8L	18K4FJ	TT6-180 TT439-180P	TT2001-180 —	TTG29U INC	TT6-180 From Vin 1A000001, TT439-180P From Vin 1A000001
Freelander	Di, DT	02/98	02/04	4	2.0L		TT6-180	TT2001-180	TTG29U	
Lexus										
ES300	VCV10R	06/92	10/96	V6	3.0L	3VZ-FE	—	TT281-180	TTG34	
ES300	MCV20R	10/96	10/01	V6	3.0L	1MZ-FE	—	TT281-180	TTG34	
ES300	MCV30R	10/01	09/04	V6	3.0L	1MZ-FE	—	TT281-180	TTG34	
ES300	MCV30R	09/04	06/08	V6	3.0L	1MZ-FE	—	TT296-180	TTG34	
GS300	JZS160R	11/97	03/05	6	3.0L	2JZ-GE	—	TT296-180	TTG34	
GS300	GRS190R	03/05	12/10	V6	3.0L	3GR-FSE	TT660-180		INC	
GS430	UZS190R	03/05	02/08	V8	4.3L	3UZ-FE	—	TT334-180	TTG45	
GS450H	GWS191R	05/06	12/10	V6	3.5L	2GR-FSE	TT660-180		INC	
GS460	URS190R	02/08	12/10	V8	4.6L	1UR-FSE	TT637-180		INC	
IS200	GXE10R	03/99	11/05	6	2.0L	1GFE	TT242-180	TT2042-180	TTG34	

Make and Model		Year		Engine			Part Number			Notes
		Start	Finish	Cyl	Size	Model	Standard Thermostat	High Flow Thermostat	Gasket	
Lexus cont.										
IS250	GSE20R	11/05	12/10	V6	2.5L	4GR-FSE	TT660-180		INC	
IS250C	GSE20R - GSE20	07/09	12/10	V6	2.5L	4GRFSE	—	TT281-170		
IS300	JCE10R	08/01	11/05	6	3.0L	2JZ-GE	—	TT296-180	TTG34	
IS F	USE20R	10/08	12/10	V8	5.0L	2URFSE	TT637-180		INC	
LS400	UCF10R	05/90	10/94	V8	4.0L	1UZ-FE	—	TT281-180	TTG20U	
LS400	UCF20R	11/94	11/97	V8	4.0L	1UZ-FE	—	TT281-180	TTG20U	
LS400	UCF20R	11/97	11/00	V8	4.0L	1UZ-FE	—	TT334-180	TTG45	
LS430	UCF30R	12/00	03/07	V8	4.3L	3UZ-FE	—	TT334-180	TTG20U	
LS460	USF40R	04/07	12/10	V8	4.6L	1UR-FSE	TT637-180		INC	
LX470	UZJ100R	05/98	09/02	V8	4.7L	2UZ-FE	—	TT334-180	TTG20U	
LX470	UZJ100R	09/02	03/08	V8	4.7L	2UZ-FE	—	TT334-180	TTG45	
LX570	UZJ201R	04/08	12/10	V8	5.7L	3UR-FE	TT637-180		INC	
RX330	MCU38R	04/03	02/06	V6	3.3L	3MZ-FE	—	TT281-180	TTG34	
RX350	GSU35R	02/06	01/09	V6	3.5L	2GR-FE	—	TT281-180	TTG34	
RX350	GGL15R	02/09	12/10	V6	3.5L	2GR-FE	—	TT281-180	TTG34	
RX400H	MHU38R	10/06	05/09	V6	3.3L	3MZ-FE	—	TT296-180	TTG34	
SC430	UZZ40R	10/01	09/05	V8	4.3L	3UZ-FE	—	TT334-180	TTG20U	
SC430	UZZ40R	09/05	12/10	V8	4.3L	3UZ-FE	—	TT334-180	TTG45	
Leyland										
Clubman		03/73	12/78	4		A	TT1-180	TT2000-180	TTG43	
Marina		04/72	12/75	4, 6	1.5L-2.6L		TT1-180	TT2000-180	TTG43	
Mini		01/72	12/83	4	1.0L-1.3L		TT1-180	TT2000-180	TTG43	
Moke		03/66	12/83	4	1.0L-1.3L	A	TT1-180	TT2000-180	TTG43	
P76		01/72	12/74	6, V8	2.6L, 4.4L		TT1-180	TT2000-180	TTG29U	
Mazda										
1000		03/66	08/68	4	1.0L	PC / PB	TT239-180		TTG20U	
1200	STA	11/68	07/70	4	1.2L	TB	TT6-180	TT2001-180	TTG29U	
1300	STB	07/70	02/77	4	1.3L	TC	TT6-180	TT2001-180	TTG15	
1500	SUE	10/66	10/71	4	1.5L	UB	TT6-180	TT2001-180	TTG41	
1800	SUA	09/69	07/73	4	1.8L	VB	TT6-180	TT2001-180	TTG41	
121	CD2, 5	03/76	12/80	4	1.8L, 2.0L	MA, VC	TT6-180	TT2001-180	TTG41	
121	DA, DB	03/87	08/97	4	1.3L	B3	TT240-180	TT2040-180	TTG15	
121	DB	01/94	12/98	4	1.5L	B5	TT240-180	TT2040-180	TTG15	
121	DW	10/96	12/02	4	1.3L, 1.5L	B3, 5	TT240-192	TT2040-192	TTG15 TTG29U	Check illustrations for correct application
323	FA, B(D,F,W)	03/77	10/89	4	1.3L-1.6L	B, TC, UC	TT240-180	TT2040-180	TTG15	
323	BA Inc. Astina, Protégé	10/89	09/98	4	1.6L, 1.8L	B6, BP, D	TT240-180	TT2040-180	TTG15	
323	BG Inc. Astina, Protégé	10/89	09/98	4	1.6L, 1.8L	B6, BP, D	TT240-180 TT323-180	TT2040-180 TT323-180	TTG15	Check illustrations for correct application
323	BA	07/94	09/98	V6	2.0L	KF	TT319-180		TTG11	
323	BJ Inc. Astina, Protégé	09/98	01/04	4	1.6L, 1.8L	FPD, ZMD	TT240-192 TT323-192 TT532-180	TT2040-192 TT323-192 —	TTG11 TTG15 INC	Check illustrations for correct application
323	SP20 Inc. Astina, Protégé	02/01	01/04	4	2.0L	FS, D	TT532-180		INC	
626	CB2	12/78	02/83	4	2.0L		TT240-180	TT2040-180	TTG41	
626	GC, GD - Inc. Turbo	02/83	12/88	4	2.0L, 2.2L		TT240-180	TT2040-180	TTG15	
626	GC	01/84	12/87	4	2.0L	RF	TT241-190	TT2041-190	TTG43	
626	GD, GV - Inc. Turbo	10/87	12/97	4	2.2L	F2	—	TT323-180	TTG15	
626	GE	01/92	06/97	4, V6	2.0L, 2.5L	FS, KL	TT319-180		TTG34	
626	GE	05/95	12/97	4	2.2L	F2	TT240-180	TT2040-180	TTG15	
626	GF, GW	07/97	07/02	4	2.0L	FSD	TT319-180		TTG34	
800		01/65	07/67	4	0.8L		TT239-180		TTG20U	
808		01/72	12/78	4	1.3L, 1.6L	NA, TC	TT240-180	TT2040-180	TTG41	
929	LA	08/73	06/79	4	1.8L	VC	TT240-180	TT2040-180	TTG41	
929	HBSHE, LA4	06/78	12/87	4	2.0L	MA	TT240-180	TT2040-180	TTG41	
929	HBES - Inc. Turbo	02/84	06/87	4	2.0L	FE	TT240-180	TT2040-180	TTG15	
929	HC, HD, HE	07/87	11/97	V6	3.0L	JE	—	TT303-180	INC	
Atenza	GG, GY (NZ only)	01/02	12/10	4	2.3L	L3	TT514-192P		INC	
B1500		01/70	06/71	4	1.5L	UB	TT240-180	TT2040-180	TTG29U	
B1600		07/71	12/77	4	1.6L	NA	TT240-180	TT2040-180	TTG41	
B1800		10/77	11/82	4	1.8L	VC	TT240-180	TT2040-180	TTG41	
B2000		12/82	05/85	4	2.0L	MA	TT240-180	TT2040-180	TTG41	

Vehicle Application List

Make and Model		Year		Engine			Part Number			Notes
		Start	Finish	Cyl	Size	Model	Standard Thermostat	High Flow Thermostat	Gasket	
Mazda cont.										
B2000		06/85	07/88	4	2.0L	FE	TT240-192	TT2040-192	TTG15	
B2200	Diesel	01/81	11/91	4	2.2L	R2,S2	TT241-190	TT2041-190	TTG15	
B2200		03/88	02/93	4	2.2L	F2	TT240-192	TT2040-192	TTG15	
B2200	Diesel	11/91	03/96	4	2.2L	R2	TT240-192	TT2040-192	TTG15	
B2500	Diesel - 4WD, RWD	04/96	12/99	4	2.5L	WL	TT319-180		TTG34	
B2500	Turbo Diesel - RWD	02/99	11/02	4	2.5L	WL-AT	TT532-180		INC	
B2500	Turbo Diesel - 4WD	02/99	11/02	4	2.5L	WL-AT	TT319-180		TTG34	
B2500	Turbo Diesel	11/02	11/06	4	2.5L	WL-T	TT532-180		INC	
B2600	Incl Bravo - 4WD	03/87	10/91	4	2.6L	4G54	—	TT323-192	TTG15	
B2600	Inc. Bravo	12/90	11/02	4	2.6L	G6	—	TT323-192	TTG15 TTG16 TTG19	Check illustrations for correct application
B2600	DX , SDX	11/02	11/06	4	2.6L	G6E	—	TT323-180	TTG15	
B4000	Incl Bravo	11/05	11/06	V6	4.0L		—	TT248-192	TTG33	
Bongo	F1000	01/69	12/79	4	1.0L	PB	TT239-180		TTG20U	
Bounty	UNYOW (NZ only)	01/99	12/10	4	2.5L	WLT	TT319-180		TTG29U TTG34	Check illustrations for correct application
BT50	Turbo Diesel - Inc. B3000	11/06	12/10	4	2.5L,3.0L	WL,WE	TT532-180		INC	
Capella		10/70	12/78	4	1.6L	NA	TT240-180	TT2040-180	TTG41	
Capella	(NZ only)	01/88	01/92	4	1.8L	F8	—	TT323-180	TTG15	
Capella	(NZ only)	01/94	01/02	4	1.8L	FP	—	TT323-180	TTG15	
CX-7	ER	11/06	12/10	4	2.3L	MZR DISI	TT512-180P		INC	
CX-7	ER - Turbo Diesel	10/09	12/10	4	2.2L	R2	TT532-180		INC	
CX-7	ER - ER5	10/09	12/10	4	2.5L	L5	TT512-180P		INC	
Demio	DW3W, DW5W (NZ only)	01/96	01/02	4	1.3L,1.5L	B3,B5	TT240-192	TT2040-192	TTG29U	
Demio	DY3W (NZ only)	01/02	12/10	4	1.3L	ZJVE	TT233-180	TT2033-180	TTG15	
E1300	Carb.	05/78	12/80	4	1.3L	TC	TT6-180	TT2001-180	TTG15	
E1400		01/80	12/83	4	1.4L	UC	TT6-180	TT2001-180	TTG15	
E1400		06/84	07/86	4	1.5L	E5	TT233-180	TT2033-180	TTG15	
E1600	Utility	01/78	12/83	4	1.6L	NA	TT240-180	TT2040-180	TTG41	
E1600	Van	05/78	12/83	4	1.6L	NA	TT6-180	TT2001-180	TTG41	
E1800		02/84	12/96	4	1.8L	F8	TT240-180	TT2040-180	TTG15 TTG19	
E1800		02/03	07/06	4	1.8L		TT240-192	TT2040-192	TTG15	
E2000	Carb.	01/74	12/81	4	2.0L	VA	TT240-180	TT2040-180	TTG15 TTG19	Check illustrations for correct application
E2000	Carb.	02/84	02/03	4	2.0L	FE	TT240-180	TT2040-180	TTG15 TTG19	
E2000	EFl	01/03	07/06	4	2.0L	FE	TT240-192	TT2040-192	TTG15	
E2200	Diesel	05/81	01/84	4	2.2L	S2	—	TT329-180	TTG15	
E2200	Diesel	02/84	12/97	4	2.2L	R2	TT353-180 TT561-190		TTG29U TTG29U	Check illustrations for correct application
E2500	Diesel	01/80	09/80		2.5L	XA,XB	TT215-180			
E2500	Diesel	08/97	10/99	4	2.5L	WL	TT319-180		TTG20U TTG69	Check illustrations for correct application
E2500	Diesel	10/99	05/03	4	2.5L		TT532-180		INC	
F1000		01/69	12/78	4	1.0L	PB	TT239-180		TTG20U	
Familia	BG5S (NZ only)	01/89	01/94	4	1.5L	B5	TT240-192	TT2040-192	TTG29U	
Familia	BHALP (NZ only)	01/94	01/98	4	1.5L	Z5DE	—	TT323-180	TTG29U	
Familia	BJ5W (NZ only)	01/98	01/03	4	1.5L	ZLVE	TT240-192 TT319-180	TT2040-192 —	TTG29U TTG34	Check illustrations for correct application
Familia	BJFW (NZ only)	01/99	01/03	4	2.0L	FSZE	—	TT323-180	TTG15 TTG29U	Check illustrations for correct application
Mazda2	DY	12/02	06/05	4	1.5L	MZR	TT319-180		TTG11	
Mazda2	DY MY05	06/05	08/07	4	1.5L	MZR	—	TT531-180	INC	
Mazda2	DE	09/07	04/10	4	1.5L	ZY MZR	TT532-180		INC	
Mazda3	BK	01/04	09/06	4	2.0L	LF MZR	TT514-192P		INC	
Mazda3	BK	09/06	03/09	4	2.0L	LF MZR	TT514-192P		INC	
Mazda3	BK - SP23	01/04	12/10	4	2.3L	L3 MZR	TT514-192P		INC	
Mazda3	BK - MPS Turbo	07/06	05/09	4	2.3L	L3	TT512-180P		INC	
Mazda3	BL	04/09	12/10	4	2.0L		TT514-192P		INC	
Mazda3	BL - Turbo Diesel	11/09	12/10	4	2.2L	R2	TT532-180		INC	
Mazda3	BL - MPS Turbo	07/09	12/10	4	2.3L	L3	TT532-180		INC	
Mazda3	BL - SP25	04/09	12/10	4	2.5L	L5	TT512-180P		INC	

Make and Model		Year		Engine			Part Number			Notes
		Start	Finish	Cyl	Size	Model	Standard Thermostat	High Flow Thermostat	Gasket	
Mazda cont.										
Mazda6	GG (NZ only)	01/02	12/10	4	2.0L	LFDE	TT514-192P		INC	
Mazda6	GG - Diesel	10/06	01/08	4	2.0L	MZR-CD	TT532-180		INC	
Mazda6	GG Inc. MPS Turbo	08/02	01/08	4	2.3L	MZR	TT532-180 TT512-180P		INC INC	Check illustrations for correct application
Mazda6	GH	02/08	12/10	4	2.5L	L5	TT512-180P		INC	
Mazda6	GH	03/09	12/10	4	2.2L		TT532-180		INC	
Millenia	4D Sedan	10/00	05/02	V6	2.3L	KJ	TT319-180		TTG11	
MPV	LV	10/93	04/96	V6	3.0L	JE	—	TT268-180		
MPV	LV - Series II	04/96	08/99	V6	3.0L	JE	—	TT303-180	INC	
MPV	LW	08/99	06/02	V6	2.5L	GY	—	TT354-192P	TTG28	
MPV	LWA2	06/02	09/06	V6	3.0L	MZI	—	TT354-180P TT354-192P	TTG28 TTG28	Check illustrations for correct application
MPV	LW10J2	06/02	09/06	V6	3.0L	MZI	—	TT354-180P	TTG28	
MX5	NA	10/89	11/93	4	1.6L	B6	—	TT323-180	TTG15	
MX5	NA, NB	11/93	10/00	4	1.8L	BP,D	—	TT323-192	TTG15	
MX5	NB - Inc. Turbo	10/00	09/05	4	1.8L	BPD	TT240-192	TT2040-192	TTG15	
MX5	NC	09/05	12/10	4	2.0L	MZR	TT514-192P		INC	
MX6	GC	11/86	12/87	4	2.0L	FE	—	TT323-192	TTG15	
MX6	GD - Inc. Turbo	10/87	12/91	4	2.2L	F2	TT240-180	TT2040-180	TTG15	
MX6	GE10, GE20	11/91	09/97	V6	2.5L	KL	TT319-180			
Premacy		02/01	06/03	4	1.8L,2.0L	FP,FS	TT532-180		INC	
Proceed	UV66R (NZ only)	01/91	01/96	4	2.6L	G6	TT233-180	TT2033-180	TTG15	
R100		06/69	12/71	2R	1.0L	10A	TT6-180	TT2001-180	TTG41	
RX2	S101A, S122A	10/70	04/76	2R	1.1L	12A	TT233-180 TT240-180	TT2033-180 TT2040-180	TTG15 TTG41	Check illustrations for correct application
RX3	S102A, S124A	01/72	12/76	2R	1.1L	12A	TT233-180	TT2033-180	TTG15	
RX4		04/73	06/79	2R	1.1L,1.3L	12A,13B	TT233-180	TT2033-180	TTG15	
RX5	CD23	07/76	06/79	2R	1.3L	13B	TT233-180	TT2033-180	TTG15	
RX7	SA22 - Series I - III	03/79	12/85	2R	1.1L	12A	TT233-180	TT2033-180	TTG15	
RX7	FC10 Series IV Inc. Turbo	01/86	02/89	2R	1.3L	13B	TT233-180	TT2033-180	TTG15	
RX7	FC10 - Series V	03/89	12/92	2R	1.3L	13B	TT215-180		TTG15	
RX7	FC10 - Series V Turbo	03/89	12/92	2R	1.3L	13B	TT215-180		TTG15	
RX7	FD3S Import	01/91	12/98	2R	1.3L	13B-T	TT322-180	TT2322-180		
RX7	FD10, Series VI - VIII	03/92	12/99	2R	1.3L	13B	TT322-180	TT2322-180	TTG15	
RX8		07/03	12/10	2R	1.3L		-	TT620-180	INC	
T2000		05/81	12/82	4	2.0L	VA,GE	TT240-180	TT2040-180	TTG29U	
T2600	Diesel	04/85	12/88	4	2.6L	4G54	TT240-180	TT2040-180	TTG25	
T3000	Diesel	01/81	10/84	4	3.0L	HA	TT233-180	TT2033-180	TTG15	
T3500	Diesel Inc. Turbo	05/84	04/97	4	3.5L	SL-T	-	TT329-170	TTG16	
T4000	Diesel	11/89	07/00	4	4.0L	TF	-	TT329-170	TTG16	
T4600	Diesel	06/92	07/00	4	4.6L	4HG1,TM	-	TT329-170		
Traveller		06/84	01/86	4	1.4L,1.6L	NA,UC	TT6-180	TT2001-180	TTG41	
Traveller		08/86	12/88	4	1.8L	F8	TT240-180	TT2040-180	TTG15	
Traveller		08/86	12/88	4	2.0L	FE	TT240-192	TT2040-192	TTG15	
Tribute		03/01	01/04	4	2.0L	YF	TT270-192		TTG47	
Tribute		03/01	07/03	V6	3.0L	AJ	—	TT354-192P	TTG28	
Tribute		07/03	01/04	V6	3.0L	AJ	—	TT354-180P	TTG28	
Tribute		01/04	01/08	4	2.3L	L3 MZR	TT512-180P		INC	
Tribute		02/04	01/08	V6	3.0L	AJ	—	TT354-180P	TTG28	
Mazda Eunos										
30X	EC	11/92	10/97	V6	1.8L	K8-ZE	TT319-180		TTG11	
500	CA	11/92	12/99	V6	2.0L	KF-ZE	TT319-180		TTG11	
800	TA	03/94	05/96	V6	2.3L,2.5L	KJ,KL	TT319-180		TTG11	
800M	TA, TB	06/96	08/02	V6	2.3L,2.5L	KJ,KL	TT319-180		TTG11	
Mercedes										
180 E	W201	10/91	03/94	4, 6	1.8L-2.6L	M102, M103	—	TT248-192	TTG33	
190 E	W201	12/84	12/94	4, 6	1.8L-2.6L	M102, M103	—	TT248-192	TTG33	
190 D	W201	01/86	12/88	5	2.5L	OM602	—	TT251-185	TTG32 TTG33	Check illustrations for correct application
200		02/66	12/76	4	2.0L		—	TT248-174	TTG33	
220 E	W124	02/93	09/93	4	2.2L	M111	TT351-189P		INC	
230	Inc. S & SL	02/66	12/68	6	2.3L		—	TT248-174	TTG33	
230	W114	02/68	12/76	6	2.3L	M114	—	TT248-170	TTG33	

Vehicle Application List

Make and Model		Year		Engine			Part Number			Notes
		Start	Finish	Cyl	Size	Model	Standard Thermostat	High Flow Thermostat	Gasket	
Mercedes cont.										
230 (E, TE)	W123	11/76	01/86	4	2.3L	M102, M115	—	TT248-192	TTG32 TTG33	Check illustrations for correct application
230 (E, TE)	W124	02/86	01/93	4	2.3L	M102	—	TT248-192	TTG32 TTG33	Check illustrations for correct application
230 GE	W460	05/86	01/89	4	2.3L	M102	—	TT248-192	TTG33	
240 D	W115, W123	08/74	12/82	4	2.4L	OM615,6	—	TT247-180	TTG33	
250 (C, CE)	W114	06/68	12/76	6	2.5L, 2.8L		—	TT248-174	TTG33	
250	W123	11/76	12/78	6	2.5L		—	TT248-192	TTG33	
260 SE	W124	03/68	01/93	6	2.6L	M103	—	TT248-192	TTG33	
280 (S, SE, SEL)	W108	03/68	12/73	6, V8	2.8L, 3.5L		—	TT248-192	TTG32 TTG33	Check illustrations for correct application
280 S(C)	W107	07/68	12/76	6	2.7L	M110	—	TT248-192	TTG32 TTG33	Check illustrations for correct application
280 SL	W113	12/69	12/71	6	2.8L	M130	—	TT248-192	TTG32 TTG33	Check illustrations for correct application
280 SEC	C111	12/69	12/71	V8	3.5L		—	TT248-192	TTG32 TTG33	Check illustrations for correct application
280 SEL	W108	11/71	12/73	V8	3.5L		—	TT248-180	TTG33	
280	W114	10/72	12/76	6	2.7L	M110	—	TT248-174	TTG33	
280 (C, CE, E)	W114	10/72	01/86	6	2.7L	M110	—	TT248-192	TTG32 TTG33	Check illustrations for correct application
280 S(E, EL)	W116	06/73	12/81	6	2.7L	M110	—	TT248-192	TTG32 TTG33	Check illustrations for correct application
280 (CE, E)	W123	11/76	01/86	6	2.7L	M110	—	TT248-192	TTG33	
280 TE	S123, W123	06/80	01/86	6	2.7L	M110	—	TT248-192	TTG32 TTG33	Check illustrations for correct application
280 SE(L)	W126	02/81	01/86	6	2.7L	M110	—	TT248-192	TTG32 TTG33	Check illustrations for correct application
300 SEL	W109	01/70	12/73	V8	3.5L	M116	—	TT248-170	TTG33	
300 D	W123	11/76	12/79	5	3.0L	OM617	—	TT251-185	TTG33	
300 D	W123	09/79	01/85	5	3.0L	OM617A	—	TT247-180	TTG33	
300 TD	W123	12/79	01/85	5	3.0L	OM617A	—	TT247-174	TTG33	
300 GD	W460	12/82	01/89	5	3.0L	OM617A	—	TT247-180	TTG33	
300 D 16V	W124	02/86	01/93	6	3.0L	OM603	—	TT251-180	TTG33	
300 (E, TE)	W124	03/86	08/93	6	2.8L, 3.0L	M103, M104	—	TT248-192	TTG33	
300 SE(L)	W126	04/86	01/92	6	3.0L	M103	—	TT248-192	TTG33	
300 CE	C124	02/88	01/93	6	3.0L	M103, M104	—	TT248-192	TTG33	
300 SE	W140	03/92	01/93	6	3.2L	M104	—	TT248-192	TTG33	
320 E	W124	02/93	12/93	6	3.2L	M104	—	TT248-192	TTG33	
350 SL(C)	R107	11/71	12/76	V8	3.5L	M116	—	TT248-170	TTG33	
350 S(E, L)	W116	06/73	12/76	V8	3.5L	M116	—	TT248-170	TTG33	
380 SL	C126, R107	01/80	01/86	V8	3.8L	M116	—	TT248-170	TTG33	
380 SEC	C126, R107	02/82	01/86	V8	3.8L	M116	—	TT248-170	TTG33	
380 SEL	W126	02/81	01/86	V8	3.8L	M116	—	TT248-170	TTG33	
380 SE	W126	08/83	01/86	V8	3.8L	M116	—	TT248-180	TTG33	
420 SE(L)	W126	04/86	01/92	V8	4.2L	M116	—	TT269-180	TTG33	
400 SE(L)	W140	03/92	01/93	V8	4.2L	M119	—	TT269-180	TTG33	
450 S(EL, L, LC)	W116	07/73	01/80	V8	4.5L	M117	—	TT248-170	TTG33	
450 SEL 6.9	W116	12/78	01/80	V8	6.8L	M100	—	TT248-192	TTG33	
500 SL	R129	07/90	01/93	V8	5.0L	M119	—	TT269-180	TTG33	
500 SEL	W140	03/92	08/93	V8	5.0L	M119	—	TT269-180	TTG33	
500 SEC	C140	02/93	08/93	V8	5.0L	M119	—	TT269-180	TTG33	
560 SEC	C126	04/86	03/92	V8	5.0L	M117	—	TT248-180	TTG32	
560 SEC	C126	04/86	01/92	V8	5.5L	M117	—	TT248-180 TT269-180	TTG32 TTG33	Check illustrations for correct application
560 SEL	W126	04/86	01/92	V8	5.5L	M117	—	TT269-180	TTG33	
560 SL	R107	04/86	01/89	V8	5.5L	M117	—	TT269-180	TTG33	
600 SEL	W140	03/92	01/93	V12	6.0L	M120	—	TT269-180	TTG32 TTG33	Check illustrations for correct application
A140	W168	02/00	07/01	4	1.4L	M166.940	TT599-189		INC	
A150	W169	05/05	07/07	4	1.5L	M266.920	TT626-189		INC	
A160	W168	10/98	04/05	4	1.6L	M166.960	TT599-189		INC	
A170	W169	05/05	12/10	4	1.7L	M266.940	TT626-189		INC	
A180	W169	01/09	12/10	4	1.7L	M640.940	TT600-176		INC	
A190	W168	09/99	03/03	4	1.9L	M166.990	TT599-189		INC	

Make and Model		Year		Engine			Part Number			Notes
		Start	Finish	Cyl	Size	Model	Standard Thermostat	High Flow Thermostat	Gasket	
Mercedes cont.										
A200	W169	05/05	12/10	4	2.0L	M266.960	TT626-189		INC	
A200	W169 (Turbo)	12/05	12/10	4	2.0L	26698030	TT626-189		INC	
B180	245	05/06	12/10	4	2.0L	OM640.940	TT600-176		INC	
B180	W245	01/09	12/10	4	1.7L	M640.940	TT600-176		INC	
B200	245	11/05	12/10	4	2.0L	M266.960	TT626-189		INC	
C180	W202	03/94	08/95	4	1.8L	M111.920	TT351-189P		INC	
C180	W202	09/95	10/00	4	1.8L	M111.921	TT352-192P		INC	
C180	W203	11/00	11/02	4	2.0L	M111.951	TT351-189P		INC	
C180	CL203	12/01	09/02	4	2.0L	M111.951	TT630-195			Check illustrations to ensure correct application
C180 Kompressor	CL203	10/02	01/08	4	1.8L	M271.946	TT630-195			
C180 Kompressor	W203	11/02	01/08	4	1.8L	M271.940	TT630-195			
C200(T)Inc. Kompressor	W202, W203, S202	10/96	10/02	4	2.0L	M111.940 M111.955	TT351-189P		INC	
C200 Kompressor	CL203, S203	11/00	11/02	4	2.0L	M111.955	TT351-189P		INC	
C200 Kompressor	CL203, W203, W204	11/02	12/10	4	1.8L	M271.940,950	TT630-195			
C200 Inc. Kompressor	W204	01/07	12/10	4	1.8L	M271.860 M271.950	TT630-195			
C220	W202	03/94	11/96	4	2.2L	M111.960	TT351-189P		INC	
C220 CDI	W203	08/01	06/07	4	2.2L	OM646.962	TT498-189		INC	
C220 CDI	W204	07/07	12/10	4	2.1L	OM651.811 OM651.911	TT503-198 TT505-198		INC	
C230	W202	11/96	08/97	4	2.3L	M111.961	TT351-189P		INC	
C230 Kompressor	CL203	11/02	08/05	4	1.8L	M271.948	TT630-195			Check illustrations to ensure correct application
C230	CL203	09/05	01/08	V6	2.5L	M272.920	TT630-195			Check illustrations to ensure correct application
C240	W202, W203	08/97	08/05	V6	2.4L,2.6L	M112.911,912	TT458-189P		INC	
C250 (D, TD)	W202	10/94	12/00	5	2.5L	OM605.910 OM605.960	—	TT251-180	TTG33	
C280	W202	02/94	09/97	6	2.8L	M104.941	—	TT248-192	TTG33	
C280	W202	08/97	12/00	V6	2.8L	M112.920	TT458-189P		INC	
C32 AMG	W163	11/01	09/04	V6	3.2L	M112.616	TT628-189		INC	
C320	W203	11/00	09/04	V6	3.2L	M112.946	TT458-192P		INC	
C320	CL203	02/04	08/05	V6	3.2L	M112.946	TT458-189P		INC	
C350 Cdi	W204	01/10	12/10	V6	3.0L	OM642.960	TT623-189		INC	
C36 AMG	W202	10/95	11/96	6	3.6L	M104.941	TT233-180	TT2033-180	TTG15	
C36 AMG	W202	11/96	07/97	6	3.6L	M104.941	—	TT248-192	TTG33	
C43 AMG	W202	04/98	12/00	V8	4.3L	M113.944	TT458-189P		INC	
C55 AMG	W203	11/04	06/07	V8	5.4L	M113.988	TT458-189P		INC	
CL280	R129, W140	01/97	12/99	6	2.8L	M104	—	TT248-192		
CL500		11/96	07/98	V8	5.0L	M119	—	TT269-180	TTG32 TTG33	Check illustrations for correct application
CL55 AMG	C215	07/01	11/03	V8	5.4L	M113	TT458-192P		INC	
CL600	R129	01/97	12/98	V12	6.0L	M120	—	TT269-180	TTG32 TTG33	Check illustrations for correct application
CLK200 Inc. Kompressor	C208	10/97	01/04	4	2.0L	M111.945 M111.956	TT351-189P		INC	
CLK200K	C209	08/04	07/07	4	1.8L	M271.940	TT630-195			Check illustrations for correct application
CLK200K	C209	08/07	12/10	4	1.8L	M271.955	TT630-195			
CLK230	C208	10/97	07/02	4	2.3L	M111.975, M111.982	TT351-189P		INC	
CLK240	C209	11/02	08/05	V6	2.6L	M112.912	TT458-189P		INC	
CLK320	C208	10/97	12/02	V6	3.2L	M112.941	—	TT248-192	TTG33	
CLK320	C208	09/98	02/03	V6	3.2L	M112.941	TT458-189P		INC	
CLK320	C209	06/02	09/05	V6	3.2L	M112.955	TT458-189P		INC	
CLK430	C208	11/99	07/02	V8	4.3L	M113	TT458-189P		INC	
CLK500	A209, C209	06/02	11/04	V8	5.0L	M113	TT458-189P		INC	
CLK55 AMG	AMG	02/00	07/02	V8	5.4L	M113	TT458-189P		INC	
CLK55 AMG	A209	06/03	09/05	V8	5.4L	M113.987	TT458-189P		INC	
E200 K	W211	10/04	09/06	4	1.8L	M271.940	TT630-195			
E200 K	W211	10/06	12/10	4	1.8L	M271.940	TT630-195			
E220 (C, CA)	W124	09/93	12/96	4	2.2L	M111	—	TT269-180	TTG32 TTG33	Check illustrations for correct application
E230 T	W210	02/96	12/98	4	2.3L	M111	TT352-189P		INC	

Vehicle Application List

Make and Model		Year		Engine			Part Number			Notes
		Start	Finish	Cyl	Size	Model	Standard Thermostat	High Flow Thermostat	Gasket	
Mercedes cont.										
E240 T	W210	02/98	08/02	V6	2.4L	M112	TT458-189P		INC	
E240		08/02	09/05	V6	2.6L	M112	TT458-189P		INC	
E270 Cdi	W210	01/00	08/02	5	2.7L	OM612	TT505-198		INC	
E270 Cdi	W211	08/02	09/05	5	2.7L	OM647	TT503-198 TT505-198		INC INC	
E280 (T)	S124, W124	09/93	02/96	6	2.8L	M104	—	TT248-192		
E280	W210	09/98	03/01	6	2.8L	M112	TT458-189P		INC	
E280 CDI	W211	09/05	12/10	V6	3.0L	642920	TT623-189		INC	
E300 D	W124	09/93	12/94	6	3.0L	OM606	—	TT251-185		
E300 TD	W210	07/97	12/99	6	3.0L	OM606	—	TT251-180		
E320 (C, CA, CE)	W124, W210	02/93	01/97	6	3.2L	M104	—	TT248-192	TTG33	
E320 (T)	W210	06/97	08/02	V6	3.2L	M112	TT458-189P		INC	
E320	W211	08/02	02/05	V6	3.2L	M112	TT458-192P		INC	
E36 AMG	C124	05/96	01/97	6	3.6L	M104	—	TT248-192		
E430	W210	02/98	08/02	V8	4.3L	M113	TT458-192P		INC	
E500	W211	08/02	09/06	V8	5.0L	M113	TT458-189P		INC	
E55 AMG	W210	03/98	09/02	V8	5.4L	M113	TT458-189P		INC	
GL320 CDI	X164	11/06	12/10	V6	3.0L	642940	TT623-189		INC	
MB100		11/99	12/01	4	2.3L	M161	—	TT248-180		
MB100		11/99	12/01	4	2.3L	M661	—	TT248-192		
MB140		11/99	05/05	4	2.3L	M161	—	TT248-192		
MB140 D		11/99	05/05	5	2.9L	M662	—	TT251-185	TTG45	
MB100D		12/01	05/05	5	2.9L	M662	—	TT251-185		
ML270 Cdi	W163	01/00	08/05	5	2.7L	OM612.963	TT504-189		INC	
ML280 CDI	W164	10/06	12/10	V6	3.0L	642920	TT623-189		INC	
ML320	W163	09/98	11/01	V6	3.2L	M112	TT458-192P		INC	
ML320 CDI	W164	09/05	12/10	V6	3.0L	642940	TT623-189		INC	
ML430	W163	03/99	12/01	V8	4.3L	M113	TT458-192P		INC	
ML500	W163, W164	09/05	09/07	V8	5.0L		TT458-189P		INC	
R280 CDI	W251	10/07	12/10	V6	3.0L		TT623-189		INC	
R320 CDI	W251	04/06	12/10	V6	3.0L	642950	TT623-189		INC	
R500	W251	04/06	10/07	V8	5.0	113971	TT458-189P		INC	
S280	W140	10/95	12/99	6	2.8L	M104	—	TT248-192		
S320	W140	09/93	12/99	6	3.2L	M104	—	TT248-192		
S320	W220	04/99	01/03	V6	3.2L	M112	TT458-192P		INC	
S350(L)	W220	02/03	02/06	V6	3.7L	M112	TT458-189P		INC	
S420(L)	W140	09/93	12/99	V8	4.2L	M119	—	TT269-180	TTG32 TTG33	Check illustrations for correct application
S430(L)	W220	02/98	02/06	V8	4.3L	M113	TT458-189P		INC	
S500(C,L)	C140, W140	09/93	12/99	V8	5.0L	M119	—	TT269-180	TTG32 TTG33	Check illustrations for correct application
S500 L	W220	04/99	02/06	V8	5.0L	M113	TT458-192P		INC	
S55 K	Kompressor	02/03	02/06	V8	5.4L	M113	TT458-192P		INC	
S600(L, SL)	W129, W140	05/93	12/99	V12	6.0L	M120	—	TT269-180	TTG32 TTG33	Check illustrations for correct application
SL280	R129	11/95	04/99	6	2.8L	M104	—	TT248-192		
SL320	R129	03/99	10/01	V6	3.2L	M112	TT458-189P		INC	
SL350	R230	10/03	12/06	V6	3.7L	M112	TT458-189P		INC	
SL500	R129	01/90	01/00	V8	5.0L	M119.972	—	TT269-176	TTG32 TTG33	Check illustrations for correct application
SL500		09/93	12/96	V8	5.0L	M119	—	TT269-180	TTG32 TTG33	Check illustrations for correct application
SL500	R230	01/02	01/05	V8	5.0L	M113.963	TT458-189P		INC	
SL500	R230	07/02	02/04	V8	5.0L	M119	TT458-189P		INC	
SL500	R230	01/06	01/07	V8	5.5L	M273.965	TT458-189P		INC	
SL55	R230	01/02	01/06	V8	5.4L	M113.992	TT458-189P		INC	
SL600	R129	09/93	01/97	V12	6.0L	M120	—	TT269-180	TTG32 TTG33	Check illustrations for correct application
SLK200	R170	01/97	11/02	4	2.0L	M111.946	TT351-189P TT630-195		INC —	Check illustrations for correct application
SLK200	R170	01/00	01/04	4	2.0L	M111.958	TT351-189P		INC	
SLK200	R171	01/04	01/07	4	1.8L	M271.944	TT630-195			
SLK200	Kompressor	08/04	12/10	4	1.8L		TT630-195			
SLK230	R170	01/96	08/04	4	2.3L	M111	TT351-189P		INC	
SLK32	AMG Kompressor	09/01	01/04	V6	3.2L	M112	TT458-192P		INC	

Make and Model	Year		Engine			Part Number			Notes	
	Start	Finish	Cyl	Size	Model	Standard Thermostat	High Flow Thermostat	Gasket		
Mercedes cont.										
SLK320	R170	07/00	08/04	V6	3.2L	M112	TT458-192P		INC	
SLK320	R170	01/01	01/04	6	3.2L	M112.947	TT628-189		INC	
Sprinter	208 - 309 CDI	12/01	12/10	4	2.1L,2.2L	OM611	TT503-189 TT505-189		INC INC	Check illustrations for correct application
Sprinter	311 CDI	10/06	01/10	4	2.1L	OM646.985	TT503-192P		INC	
Sprinter	313 CDI	04/02	07/03	4	2.2L	OM611	TT503-192P		INC	
Sprinter	313 CDI	07/03	12/06	4	2.2L	OM611.981	TT503-189 TT505-189		INC INC	Check illustrations for correct application
Sprinter	315 CDI	10/06	01/10	4	2.1L	OM646.986	TT503-192P		INC	
Sprinter	315 CDI - Turbo Diesel	04/09	12/10	4	2.1L	OM646.990	TT503-189 TT505-189		INC INC	Check illustrations for correct application
Sprinter	316 CDI	07/03	12/06	5	2.7L	OM651957	TT503-189 TT505-189		INC INC	Check illustrations for correct application
Sprinter	413 CDI	04/02	07/03	4	2.2L	OM611.981	TT503-189 TT505-189		INC INC	Check illustrations for correct application
Sprinter	416 CDI	07/03	12/06	5	2.7L	OM612	TT503-192P		INC	
Sprinter	515 CDI	10/06	12/10	4	2.1L	646986	TT503-192P		INC	
Sprinter	616 CDI	04/02	12/06	4	2.7L	OM612	TT503-192P		INC	
Viano	639	01/05	01/06	V6	3.2L,3.7L	M112.951-976	TT458-189P		INC	
Viano	639	07/05	12/10	4	2.1L		TT503-192P		INC	
Viano	639	07/05	12/10	V6	3.7L		TT458-189P		INC	
Vito	108	02/98	12/99	4	2.3L	OM601	—	TT251-180	TTG33	
Vito	108 CDI	08/99	04/04	4	2.2L	OM611A	TT503-189 TT505-189		INC INC	Check illustrations for correct application
Vito	109 CDI	04/04	12/10	4	2.1L		TT503-192P		INC	
Vito	113	02/98	04/04	4	2.0L	M111	TT351-189P		INC	
Vito	115 CDI	04/04	12/10	4	2.1L		TT503-192P		INC	
Vito	119	04/04	12/06	V6	3.2L	M112	TT458-189P		INC	
MG										
Magnette		01/56	12/62	4	1.5L		TT1-180	TT2000-180	TTG43	
MG		01/71	12/72	4	1.1L,1.3L	B	TT1-180	TT2000-180	TTG43	
MGA		01/56	12/63	4	1.6L		TT1-180	TT2000-180	TTG43	
MGB Inc GT	Mk I - III	01/63	12/72	4	1.8L		TT1-180	TT2000-180	TTG43	
MGC		01/68	12/70	6			TT1-180	TT2000-180	TTG43	
MGF		03/97	09/02	4	1.8L	18K4F	TT6-180	TT2001-180	TTG11	
MGF	VVC, TF	03/97	06/05	4	1.8L	18K4F,K	TT1-192	TT2000-192	TTG11	
MGF	VVC, TF	03/97	06/05	4	1.8L	18K4F,K	TT1-192	TT2000-192	TTG11	
MGF	TF160	09/02	06/05	4	1.8L	18K4K	TT6-180	TT2001-180	TTG11	
Midget	MK III	01/68	12/72	4	1.3L		TT1-180	TT2000-180	TTG43	
ZS	ZS	11/04	03/05	V6	2.5L	KV6	TT1-192	TT2000-192	TTG11	
ZT		05/02	12/06	V6	2.5L	KV6	TT363-180			
ZT	260	07/04	09/04	V8	4.6L	46F2F	TT265-192	TT2065-192		
MINI										
Cooper	R50 - Inc. S	03/02	12/10	4	1.6L	W10,W11 B16A	TT340-195		INC	
Mitsubishi										
3000GT	JF	10/92	12/96	V6	3.0L	6G72	—	TT301-170	INC	
380	DB - DL1A	10/05	04/08	V6	3.8L	6G75	—	TT297-192	TTG45	
Canter	FC211	01/79	01/80	4	2.4L	4G53	TT240-180	TT2040-180	TTG25	
Canter	FC(212, 432)	01/81	01/92	4	2.6L	4G54	TT240-180	TT2040-180	TTG25	
Canter	FE(211 - 444)	01/79	01/93	4	3.3L	4D30,31	TT371-180			
Canter	FE(339 - 449)	07/91	12/95	4	3.9L	4D34-T	TT372-180			
Canter	FE (Series)	07/96	12/06	4	4.2L	4D33	TT372-180			
Challenger	K97 (NZ only)	01/96	12/10	4	2.8L	4M40T	—	TT301-180	INC	
Challenger	PA - K96W	03/98	03/07	V6	3.0L	6G72-S4	—	TT301-192	INC	
Challenger	PB - KH	12/09	12/10	4	2.5L	4D56T	—	TT297-180		
Chariot	N33W (NZ only)	01/91	01/98	4	2.0L	4G63	TT240-180	TT2040-180	TTG25	
Chariot	N84W (NZ only)	01/97	01/02	4	2.4L	4G64	—	TT299-180	INC	
Colt		01/64	01/71	4	1.0L-1.3L		TT6-180	TT2001-180	TTG25	
Colt	RA - RE	11/80	01/90	4	1.4L,1.6L	4G12-33	TT240-180	TT2040-180	TTG25	
Colt	Z25A (NZ only)	01/01	01/04	4	1.3L	4G19	—	TT281-180	TTG49	
Colt	RG - Z27A	08/04	02/06	4	1.5L	4G15	—	TT299-180	INC	
Colt	RG	12/05	12/10	4	1.5L	4A91 MIVEC	—	TT374-180	INC	
Colt	RG - Ralliart Turbo	07/06	12/10	4	1.5L	4G15	—	TT299-180	INC	
Colt	RZ - Cabriolet Turbo	11/06	12/08	4	1.5L	4G15 MIVEC	—	TT299-180	INC	

Vehicle Application List

Make and Model		Year		Engine			Part Number			Notes
		Start	Finish	Cyl	Size	Model	Standard Thermostat	High Flow Thermostat	Gasket	
Mitsubishi cont.										
Cordia	AA	04/83	10/84	4	1.6L	4G32	TT240-192	TT2040-192	TTG25	
Cordia	AA - AC Carb, EFI (Inc. Turbo)	04/83	07/89	4	1.8L	4G 37,62	TT240-192	TT2040-192	TTG25	
Delica	P01V	04/86	04/93	4	1.4L	G33B	TT240-180	TT2040-180		
Delica	P02V, P12V	04/86	04/93	4	1.6L	4G32B	TT240-180	TT2040-180		
Delica	P03(V, W) - P23(V, W)	04/86	03/94	4	2.0L	4G63B	TT240-180	TT2040-180		
Delica	PA3V	03/94	03/99	4	2.0L	4G63	—	TT281-180	TTG34	
Delica	PA3V	03/99	12/06	4	2.0L	4G63	—	TT299-180	INC	
Delica	P06V	04/94	03/99	4	2.0L	4G92	—	TT281-180	TTG34	
Delica	P06V	03/99	06/99	4	2.0L	4G92	—	TT299-180	INC	
Delica	P07V	04/94	03/99	4	2.0L	4G63	—	TT281-180	TTG34	
Delica	P07V	03/99	06/99	4	2.0L	4G63	—	TT299-180	INC	
Delica	P27V	04/94	12/06	4	2.0L	4G63	—	TT281-180	TTG34	
Delica	P04W	08/89	04/93	4	2.4L	4G64	TT240-192	TT2040-192		
Delica	P24W	04/86	03/94	4	2.4L	4G64	TT240-192	TT2040-192		
Delica	PA4W	03/94	03/99	4	2.4L	4G64	—	TT281-180	TTG34	
Delica	PD4W	03/94	05/97	4	2.4L	4G64	—	TT299-180	INC	
Delica	PA4W	03/99	12/06	4	2.4L	4G64	—	TT299-180	INC	
Delica	P05(V, W)	04/86	06/99	4	2.5L	4D56	TT330-180			
Delica	P15(V, W) - P35W	04/86	12/89	4	2.5L	4D56	TT233-180	TT2033-180		
Delica	P15(V, W) - P35W	12/89	12/06	4	2.5L	4D56	TT330-180			
Delica	P17V	04/94	12/06	4	2.5L	4D56	—	TT281-180	TTG34	
Delica	P45V	08/90	12/06	4	2.5L	4D56	TT330-180			
Delica	PA5V	03/94	06/99	4	2.5L	4D56	TT330-180			
Delica	PA5W	03/94	04/99	4	2.5L	4D56	—	TT281-180	TTG34	
Delica	PB5V	03/94	12/06	4	2.5L	4D56	TT330-180			
Delica	PB5W	03/94	12/06	4	2.5L	4D56	—	TT281-180	TTG34	
Delica	PC5W	03/94	04/99	4	2.5L	4D56	—	TT281-180	TTG34	
Delica	PD5V	03/94	12/06	4	2.5L	4D56	TT330-180			
Delica	PD8W - PF8W	03/94	12/06	4	2.8L	4M40	—	TT299-170	INC	
Delica	PB4W	03/94	12/06	V6	3.0L	6G72	—	TT299-180	INC	
Delica	PB6W, PD6W	03/94	05/97	V6	3.0L	6G72	—	TT301-180	INC	
Delica	PD6W	06/97	12/06	V6	3.0L	6G72	—	TT301-192	INC	
Delica	PF6W	03/94	05/97	V6	3.0L	6G72	—	TT301-180	INC	
Delica	PF6W	06/97	12/06	V6	3.0L	6G72	—	TT301-192	INC	
Diamante	F31A (NZ only)	01/94	01/02	V6	2.5L	6G73	—	TT297-180	TTG45	
Diamante	TJ (NZ only)	07/00	05/03	V6	3.5L	6G74	—	TT301-180	INC	
Express	SF	10/86	08/90	4	2.0L	4G63	TT240-180	TT2040-180	TTG25	
Express	SF	10/86	08/90	4	2.4L	4G64	TT240-192	TT2040-192	TTG25	
Express	SG	09/90	08/91	4	2.0L	4G63	TT240-180	TT2040-180	TTG25	
Express	SG - Carb, EFI	09/90	08/91	4	2.4L	4G64	TT240-192	TT2040-192	TTG25	
Express	SH	09/91	09/94	4	2.0L	4G63	TT240-180	TT2040-180	TTG25	
Express	SH - EFI	09/91	09/94	4	2.4L	4G64	TT240-192	TT2040-192	TTG25	
Express	SJ	10/94	11/96	4	2.0L	4G63	—	TT299-170	INC	
Express	SJ - P03V	11/03	02/06	4	2.0L		—	TT299-180	INC	
Express	SJ	10/94	12/06	4	2.4L	4G64	—	TT281-180	TTG34	
Express	WA - Walk Thru	09/94	08/05	4	2.4L	4G64	—	TT281-180	TTG34	
Express	WA - Walk Thru (20V)	08/05	02/06	4	2.4L	4G64 S4	—	TT299-180	INC	
Express (Diesel)	SF	09/89	12/90	4	2.5L	4D56	TT233-180	TT2033-180	TTG4	
Express (Diesel)	SG	09/90	08/91	4	2.5L	4D56	TT233-180	TT2033-180	TTG4	
Express (Diesel)	SH	09/91	09/94	4	2.5L	4D56	TT233-180	TT2033-180	TTG4	
Express (Diesel)	SJ	10/94	09/03	4	2.5L	4D56	TT233-180	TT2033-180	TTG4	
Fighter	FK417	09/87	11/90	6		6D16	—	TT369-180P		
FTO	Import	01/94	07/00	V6	2.0L	6A12	—	TT281-180 TT299-180	TTG34 INC	Check illustrations for correct application
FTO	Import	09/94	08/99	4		4G93	—	TT299-180	INC	
Galant	E35A (NZ only)	01/89	01/95	4	1.8L	4G67	TT240-180	TT2040-180	TTG25	
Galant	EA1A (NZ only)	01/96	01/00	4	1.8L	4G93	—	TT299-180	INC	
Galant	EA2A (NZ only)	01/98	12/10	4	2.0L	4G63	—	TT281-180	TTG49	
Galant	GA - GD	08/71	06/77	4	1.3L-1.6L	4G30-3	TT240-180	TT2040-180	TTG25	
Galant	HG - Inc. GSR	05/89	08/90	4	2.0L	4G63	TT240-192	TT2040-192	TTG25	
Galant	HH - Inc. GSR & Turbo	09/90	03/93	4	2.0L	4G63	—	TT301-180	INC	
Galant	HJ	04/93	10/96	4	2.0L	4G63	—	TT299-170	INC	

Make and Model	Year		Engine			Part Number			Notes	
	Start	Finish	Cyl	Size	Model	Standard Thermostat	High Flow Thermostat	Gasket		
Mitsubishi cont.										
Galant	HJ	04/93	10/96	V6	2.0L	6A12	—	TT299-170	INC	
Grandis	BA - 35U NA4W	05/04	12/10	4	2.4L	4G69	—	TT281-180	TTG34	
L200	MA - Carb.	05/79	12/81	4	1.6L,2.0L	4G32,52,63	TT240-180	TT2040-180	TTG25	
L200	MB - Carb.	10/81	09/82	4	1.6L,2.0L	4G32,52	TT240-180	TT2040-180	TTG25	
L200	MC - Inc. Diesel	10/82	09/84	4	1.6L-2.3L	4G32,55,63	TT240-180	TT2040-180	TTG25	
L200	MD - Carb.	09/84	10/86	4	1.6L,2.0L	4G32,63	TT240-180	TT2040-180	TTG25	
L200 (Diesel)	MD	09/84	10/86	4	2.3L	4D55	TT233-180	TT2033-180	TTG25	
L300	P03V	01/87	01/94	4	2.0L	4G63	TT240-180	TT2040-180	TTG25	
L300	P04V	01/98	12/04	4	2.4L	4G64	—	TT299-180	INC	
L300	P15V	01/00	12/10	4	2.5L	4D56	TT330-180		TTG40	
L300 Express	SA	04/80	10/81	4	1.6L	4G32	TT240-180	TT2040-180	TTG25	
L300 Express	SB	11/81	05/83	4	1.6L,1.8L	4G32,62	TT240-192	TT2040-192	TTG25	
L300 Express	SC	05/83	07/84	4	1.6L,1.8L	4G32,62	TT240-180	TT2040-180	TTG25	
L300 Express	SD	08/84	07/85	4	1.6L-2.0L	4G32,62,63	TT240-180	TT2040-180	TTG25	
L300 Express	SE	07/85	10/86	4	1.6L,2.0L	4G32,63	TT240-180	TT2040-180	TTG25	
Lancer	CA - Carb	09/88	08/90	4	1.5L	4G15	TT240-180	TT2040-180	TTG25	
Lancer	CA - EFI	04/89	08/90	4	1.5L	4G15	TT240-192	TT2040-192	TTG25	
Lancer	CB - Carb.	09/90	09/92	4	1.5L	4G15	TT240-180	TT2040-180	TTG25	
Lancer	CB - EFI	09/90	09/92	4	1.5L	4G15	TT240-192	TT2040-192	TTG25	
Lancer	CB - GSR EFI	09/90	09/92	4	1.6L	4G61	TT240-192	TT2040-192	TTG25	
Lancer	CB3A (NZ only)	01/91	01/96	4	1.5L	4G91	TT240-180	TT2040-180	TTG25	
Lancer	CC - Carb.	09/92	07/96	4	1.5L	4G15	TT240-180	TT2040-180	TTG25	
Lancer	CC - EFI	09/92	07/96	4	1.6L	4G92	—	TT299-180	INC	
Lancer	CC - EFI Inc. GSR	09/92	07/96	4	1.8L	4G93	—	TT281-180	TTG34	
Lancer	CE	07/96	12/98	4	1.5L,1.8L	4G15,93	—	TT281-180	TTG34	
Lancer	CE - Series II	10/98	07/04	4	1.5L	4G15	—	TT299-180	INC	
Lancer	CE - Series II	10/98	07/04	4	1.8L	4G93	—	TT281-180	TTG34	
Lancer	CE	01/02	08/03	4	1.8L	4G93,E34	—	TT281-180	TTG34	
Lancer	CG	07/02	08/03	4	2.0L	4G94	—	TT299-180	INC	
Lancer	CH	08/03	04/06	4	2.0L	4G69,94	—	TT299-180	INC	
Lancer	CH	08/05	12/08	4	2.4L	4G69	—	TT281-180		
Lancer	CJ - Inc. VR-X	10/07	12/10	4	2.0L,2.4L	4B11,12 Inc. MIVEC	TT1728-180		INC	
Lancer	CK2A (NZ only)	01/95	01/00	4	1.5L	4G15	—	TT281-170		
Lancer	CS5W (NZ only)	01/00	01/04	4	1.8L	4G93	—	TT281-180	TTG49	
Lancer	CY - EVO IX	08/05	09/07	4	2.0L	4G63	—	TT281-180		
Lancer	CZ - EVO VIII	06/04	08/05	4	2.0L	4G63T	—	TT281-180		
Legnum	EA1W (NZ only)	01/95	01/00	4	1.8L	4G93	—	TT281-180	TTG49	
Legnum	EC5W (NZ only)	01/96	01/01	V6	2.5L	6A13	—	TT281-180	TTG49	
Libero	CB5W (NZ only)	01/92	01/00	4	1.8L	4G93	—	TT281-180	TTG29U TTG49	Check illustrations for correct application
Magna	TM - TS	05/85	01/97	4	2.6L	4G54	TT240-180	TT2040-180	TTG25	
Magna	TE, TF	04/96	03/99	4	2.4L	4G64-S4	—	TT281-180	TTG34	
Magna - V6	TR, TS	04/93	01/97	V6	3.0L	6G72	TT240-192	TT2040-192	TTG25	
Magna - V6	TE, TF	04/96	03/99	V6	3.0L	6G72-S4	—	TT297-180	TTG45	
Magna - V6	TH, TJ	03/99	06/03	V6	3.0L,3.5L	6G72, 6G74	—	TT301-180	INC	
Magna - V6	TL, TW	06/03	09/05	V6	3.5L	6G74	—	TT301-180	INC	
Mirage	CA1A (NZ only)	01/91	01/96	4	1.3L	4G13	TT240-192	TT2040-192	TTG25	
Mirage	CJ1A (NZ only)	01/95	01/00	4	1.3L	4G13	—	TT281-170		
Mirage	CE	07/96	10/98	4	1.5L	4G15	—	TT281-180	TTG34	
Mirage	CE - Series II	10/98	08/04	4	1.5L	4G15	—	TT299-180	INC	
Nimbus	UA, UB	05/84	08/87	4	1.8L	4G37	TT240-180	TT2040-180	TTG25	
Nimbus	UC	09/87	01/92	4	2.0L	4G63	TT240-192	TT2040-192	TTG25	
Nimbus	UF	02/92	11/98	4	2.4L	4G64	TT240-192	TT2040-192	TTG25	
Nimbus	UG	11/98	04/04	4	2.4L	4G64	—	TT299-192	INC	
Outlander	ZE, ZF	01/03	10/06	4	2.4L	4G64, 4G69	—	TT281-180	TTG34	
Outlander	ZG, ZH	11/06	12/10	4	2.4L	4B12	TT1728-180		INC	
Outlander	ZG	11/06	12/10	V6	3.0L	6B31 Mivec	—	TT297-180		
Pajero	NA	01/83	10/84	4	2.6L	4G54	TT240-180 TT240-192	TT2040-180 TT2040-192	TTG25 TTG25	TT240-192 (To Eng # DT8639), TT240-180 (From engine # DT8640)
Pajero	NB	11/84	11/85	4	2.6L	4G54	TT240-192	TT2040-192	TTG25	
Pajero	NC	12/85	09/86	4	2.6L	4G54	TT240-180	TT2040-180	TTG25	

Vehicle Application List

Make and Model		Year		Engine			Part Number			Notes
		Start	Finish	Cyl	Size	Model	Standard Thermostat	High Flow Thermostat	Gasket	
Mitsubishi cont.										
Pajero	ND	10/86	09/87	4	2.6L	4G54	—	TT518-170	TTG25	
Pajero	NE	10/87	08/88	4	2.6L	4G54	TT240-180	TT2040-180	TTG25	
Pajero	NF	05/88	08/89	V6	3.0L	6G72	TT240-192	TT2040-192	TTG25	
Pajero	NF	08/88	05/91	4	2.6L	4G54	TT240-180	TT2040-180	TTG25	
Pajero	NG	09/89	05/91	4	2.6L	4G54	TT240-180	TT2040-180	TTG25	
Pajero	NG	09/89	05/91	V6	3.0L	6G72	TT240-192	TT2040-192	TTG25	
Pajero	NH	05/91	10/93	4	2.6L	4G54	TT240-180	TT2040-180	TTG25	
Pajero	NH	05/91	10/93	V6	3.0L	6G72	TT240-192	TT2040-192	TTG25	
Pajero	NJ	01/93	10/96	V6	3.0L	6G72	TT240-192	TT2040-192	TTG25	
Pajero	NJ	09/95	10/96	V6	3.5L	6G74	—	TT301-180	INC	
Pajero	NK	10/96	07/97	V6	3.0L	6G72	TT240-192	TT2040-192	TTG25	
Pajero	NK	10/96	07/97	V6	3.5L	6G74	—	TT301-180	INC	
Pajero	NL	08/97	06/00	V6	3.5L	6G74	—	TT301-180	INC	
Pajero	NM	05/00	11/02	V6	3.5L	6G74	—	TT301-192	INC	
Pajero	NP	11/02	07/04	V6	3.5L	6G74	—	TT301-180	INC	
Pajero	NP	09/03	08/05	V6	3.8L	6G75	—	TT301-180	INC	
Pajero	NP	08/05	10/06	V6	3.8L	6G75	—	TT281-170		
Pajero	NS	11/06	01/09	V6	3.8L	6G75	—	TT301-180	INC	
Pajero	NT	01/09	12/10	V6	3.8L	6G75	—	TT302-170		
Pajero iO	QA	03/99	09/03	4	1.8L,2.0L	4G93,94	—	TT299-180	INC	
Pajero (Diesel)	NA, NB - Turbo Diesel	01/83	11/85	4	2.3L	4D55 T	TT330-180		TTG25	
Pajero (Diesel)	NC - Turbo Diesel	12/85	10/86	4	2.3L	4D55 T	TT330-180		TTG40	
Pajero (Diesel)	ND	10/86	09/87	4	2.5L	4D56	TT330-170		TTG40	
Pajero (Diesel)	NE - NG	10/87	05/91	4	2.5L	4D56	TT330-170		TTG25	
Pajero (Diesel)	NH - Turbo Diesel	05/91	10/93	4	2.5L	4D56T	—	TT518-170	TTG40	
Pajero (Diesel)	NJ	11/93	10/96	4	2.8L	4M40	—	TT299-170	INC	
Pajero (Diesel)	NK	10/96	07/97	4	2.8L	4M40	—	TT299-170	INC	
Pajero (Diesel)	NL	08/97	06/00	4	2.8L	4M40	—	TT299-170	INC	
Pajero (Diesel)	NM	05/00	11/02	4	2.8L	4M40	—	TT299-170	INC	
Pajero (Diesel)	NP - Turbo Diesel	11/02	07/04	4	3.2L	4M41	—	TT299-170	INC	
Pajero (Diesel)	NP - Turbo Diesel	07/04	08/05	4	3.2L	4M41	—	TT281-170		
Pajero (Diesel)	NS - Turbo Diesel	12/06	01/09	4	3.2L	4M41	—	TT301-180	INC	
Pajero (Diesel)	NT	01/09	12/10	4	3.2L		—	TT302-170		
RVR	N11W (NZ only)	01/91	01/98	4	1.8L	4G93	—	TT299-180	INC	
RVR	N23W (NZ only)	01/91	01/98	4	2.0L	4G63	—	TT281-180	TTG49	
Scorpion	GE	03/78	06/79	4	2.0L	4G52	TT240-180	TT2040-180	TTG25	
Scorpion	GH - GL	07/79	09/85	4	2.6L	4G54	TT240-180	TT2040-180	TTG25	
Sigma	GE - GN	10/77	12/87	4	1.6L-2.6L	4G32-54	TT240-180	TT2040-180	TTG25	
Starion	JA - Turbo	05/82	08/84	4	2.0L	4G63T	TT240-180	TT2040-180	TTG44	
Starion	JB, JD - Turbo	09/85	08/87	4	2.0L	4G63T	TT240-192	TT2040-192	TTG44	
Starwagon	SF - Carb.	10/86	08/90	4	2.0L	4G63	TT240-180	TT2040-180	TTG25	
Starwagon	SF - Carb.	10/86	08/90	4	2.4L	4G64	TT240-192	TT2040-192	TTG25	
Starwagon	SG	09/90	08/91	4	2.0L	4G63	TT240-180	TT2040-180	TTG25	
Starwagon	SG	09/90	08/91	4	2.4L	4G64	TT240-180	TT2040-180	TTG25	
Starwagon	SG - EFI	09/91	09/94	4	2.4L	4G64	TT240-192	TT2040-192	TTG25	
Starwagon	SH	09/91	09/94	4	2.0L	4G63	TT240-180	TT2040-180	TTG25	
Starwagon	SH	09/91	09/94	4	2.4L	4G64	TT240-180 TT240-192	TT2040-180 TT2040-192	TTG25 TTG25	Check original thermostat temperature for correct application
Starwagon	SJ	10/95	04/04	4	2.0L	4G63	—	TT299-170	INC	
Starwagon	WA	09/94	04/04	4	2.0L	4G63	—	TT299-170	INC	
Starwagon	WA - EFI	09/94	02/00	4	2.4L	4G64	—	TT281-180	TTG34	
Starwagon	WA	09/94	12/98	V6	3.0L	6G72	—	TT301-180	INC	
Triton	ME - MJ	10/86	10/96	4	2.6L	4G54	TT240-180	TT2040-180	TTG25	
Triton	MH - MJ	09/90	10/96	V6	3.0L	6G72	TT240-192	TT2040-192	TTG25	
Triton	MK	10/96	10/04	4	2.4L	4G64	—	TT281-180	TTG34	
Triton	MK	10/96	01/00	V6	3.0L	6G72	—	TT301-180	INC	
Triton	MK	01/00	10/03	V6	3.0L	6G72	—	TT301-192	INC	
Triton	MK	11/03	09/05	V6	3.0L	6G72	—	TT301-180	INC	
Triton	ML	11/06	08/09	V6	3.5L	6G74	—	TT301-180	INC	
Triton	ML	03/07	07/09	4	2.4L	4G64	—	TT299-180	INC	
Triton (Diesel)	ME - MG	10/86	09/90	4	2.5L	4D56,T	TT330-180		TTG40	
Triton (Diesel)	MH - MJ	09/90	10/96	4	2.5L	4D56,T	—	TT518-170	TTG40	

Make and Model		Year		Engine			Part Number			Notes
		Start	Finish	Cyl	Size	Model	Standard Thermostat	High Flow Thermostat	Gasket	
Mitsubishi cont.										
Triton (Diesel)	MK Diesel Inc. Turbo	10/96	06/06	4	2.8L	4M40	—	TT281-170 TT299-170	TTG34 INC	Check illustrations for correct application
Triton (Diesel)	MN - Turbo Diesel	09/09	12/10	4	2.5L		—	TT297-180		
Verada	KR, KS	07/91	12/97	V6	3.0L	6G72	TT240-192	TT2040-192	TTG25	
Verada	KE, KF	10/96	03/99	V6	3.5L	6G74	—	TT297-180	TTG45	
Verada	KH - KW	03/99	12/06	V6	3.5L	6G74	—	TT301-180	INC	
Morris										
1100(S)		01/60	12/69	4	1.1L,1.3L	A	TT1-180	TT2000-180	TTG43	
2-7 ton		01/59	12/69	6			TT1-180	TT2000-180	TTG43	
850		01/60	12/68	4	0.8L	A	TT1-180	TT2000-180	TTG43	
Elite		01/59	12/64	4	1.6L		TT1-180	TT2000-180	TTG43	
Isis		01/56	12/68	6	0		TT1-180	TT2000-180	TTG43	
J2, J4	Van 1/2 ton	01/59	12/69	4			TT1-180	TT2000-180	TTG43	
LD1, 2, LC5		01/56	12/60	4			TT1-180	TT2000-180	TTG43	
LD4, 5, LDM20, 30		01/60	12/66	4			TT1-180	TT2000-180	TTG43	
Major	Mk I, Mk II	01/59	12/63	4	1.5L		TT1-180	TT2000-180	TTG43	
Marshall		01/56	12/60	6	2.6L		TT1-180	TT2000-180	TTG43	
Mini		01/59	01/78	4	1.0L-1.3L	A	TT1-180	TT2000-180	TTG43	
Mini Minor		01/66	12/67	4	0.8L	A	TT1-180	TT2000-180	TTG43	
Minor		01/56	12/68	4	1.0L		TT1-180	TT2000-180	TTG43	
Nomad		01/69	12/72	4	1.3L,1.5L	A,E	TT1-180	TT2000-180	TTG43	
Oxford		01/59	12/67	4			TT1-180	TT2000-180	TTG43	
Nissan										
120Y	B210	03/74	03/79	4	1.2L	A12	TT1-180	TT2000-180	TTG23	
180B	610	09/72	10/77	4	1.8L	L18	TT1-180	TT2000-180	TTG15	
200B	810	10/77	05/81	4	2.0L	L20B	TT1-180	TT2000-180	TTG15 TTG17	Check illustrations for correct application
180SX	RS13 - Import	03/89	01/91	4	1.8L	CA18DT	TT241-180	TT2041-180		
180SX	RS13 - Import	01/91	08/96	4	2.0L	SR20DET	—	TT2028-170		
180SX	S14 - Import	08/96	01/99	4	2.0L	SR20DE,T	—	TT2028-170		
200SX	S14, S15	10/94	12/03	4	2.0L	SR20DET	—	TT2028-170	TTG26 TTG49	Check illustrations for correct application
240(C,K,Z)		10/70	03/78	6	2.4L	L24	TT1-180	TT2000-180	TTG17	
260(C,Z)		01/73	12/78	6	2.6L	L26	TT1-180	TT2000-180	TTG15 TTG17	Check illustrations for correct application
280C		03/78	05/84	6	2.8L	L28	TT1-180	TT2000-180	TTG39	
280ZX		03/79	05/84	6	2.8L	L28E	TT1-180	TT2000-180	TTG39	
280C		03/83	05/84	6	2.8L	L28E	TT1-180	TT2000-180	TTG15 TTG17	Check illustrations for correct application
300C		05/84	12/88	V6	3.0L	VG30E	—	TT268-170	TTG45	
300ZX	Z31 Inc. Turbo	05/84	12/89	V6	3.0L	VG30E,T	—	TT268-170	TTG45	
300ZX	Z32	07/89	03/97	V6	3.0L	VG30DE	—	TT268-170	TTG45	
300ZX Fairlady	Z32 Inc. Turbo	07/89	12/10	V6	3.0L	VG30DE,TT	—	TT268-170		
350Z	Z33	02/03	04/09	V6	3.5L	VQ35DE	TT391-180P		INC	
720	Petrol	01/80	12/85	4	1.8L,2.2L	L18,Z22	TT241-180	TT2041-180	TTG15 TTG17	Check illustrations for correct application
720	Diesel	01/80	12/85	4	2.2L-2.5L	SD22-25	TT233-180	TT2033-180	TTG43	
1000		03/67	12/70	4	1.0L	A10	TT1-180	TT2000-180	TTG29U	
1200		06/70	01/85	4	1.2L	A12	TT1-180	TT2000-180	TTG29U	
1600	510	01/68	12/72	4	1.6L	L16	TT1-180	TT2000-180	TTG15	
Bluebird	Carb.	01/60	08/65	4	1.2L		TT1-180	TT2000-180	TTG29U	
Bluebird	Carb.	01/65	01/68	4	1.3L		TT1-180	TT2000-180	TTG29U	
Bluebird	Series I, II	05/81	04/85	4	2.0L	L20B	TT1-180	TT2000-180	TTG15 TTG17	
Bluebird	Series III	04/85	12/86	4	2.0L	CA20S	TT1-180	TT2000-180	TTG17	
Bluebird	U13 (NZ only)	01/90	01/98	4	2.0L	SR20DE	—	TT381-180	TTG11	
Bluebird	U13	10/93	12/97	4	2.4L	KA24DE	—	TT2028-170	TTG11 TTG20U	
Bluebird	G10 (NZ only)	01/00	01/03	4	1.8L	QG18DE	TT441-170		INC	
C80	Truck	01/65	12/74	6	3.0L	H30	TT1-180	TT2000-180	TTG43	
Caball	C240, C380	01/70	12/81	4	2.0L	H20	TT1-180	TT2000-180	TTG43	
Cabstar	F22 - Petrol	05/82	12/87	4	2.0L	Z20	—	TT268-170	TTG40	
Cabstar	H40 - Petrol	01/82	12/87	4	2.2L	Z22	—	TT369-180P		

Vehicle Application List

Make and Model		Year		Engine			Part Number			Notes
		Start	Finish	Cyl	Size	Model	Standard Thermostat	High Flow Thermostat	Gasket	
Nissan cont.										
Cabstar	H41 - Petrol	05/82	12/87	4	2.2L	Z22	TT241-180	TT2041-180	TTG40	
Cabstar (Diesel)	F22 - Diesel	10/85	01/92	4	2.3L-2.7L	SD23,SD25,TD27	TT241-170	TT2041-170	TTG43	
Cabstar (Diesel)	H40 - Diesel	05/87	09/92	4	2.7L	TD27	TT241-170	TT2041-170	TTG29U TTG43	
Cabstar (Diesel)	H40 - Diesel	05/82	12/87	4	3.3L	ED33	TT241-170	TT2041-170	TTG29U	
Cabstar (Diesel)	H40 - Inc. Turbo	10/84	01/86	4	3.3L	FD33,T	—	TT369-180P		
Cabstar (Diesel)	H40 - Inc. Turbo	05/87	01/93	4	3.5L	FD35	—	TT369-170P		
Cabstar (Diesel)	H40 - Inc. Turbo	05/87	01/93	4	3.5L	FD35T	—	TT369-180P		
Cabstar (Diesel)	H42 - Turbo Diesel	08/84	12/86	4	3.3L	FD33T	—	TT369-180P		
Cedric	G31	01/63	12/66	4	1.9L		TT241-180	TT2041-180	TTG29U	
Cefiro	A32 (NZ only)	01/94	01/98	V6	2.0L,2.5L	VQ20D-25D	TT343-180P		INC	
Civilian Bus	H40, W40 - Diesel	05/87	12/91	4	3.3L	FD33	—	TT369-180P		
Civilian Bus	W40 - Diesel	05/84	12/87	4	3.3L	ED33	TT241-170	TT2041-170	TTG29U	
Civilian Bus	W40 - Diesel	07/99	12/06	6	4.2L	TD42	TT330-170		TTG43	
Dualis		10/07	12/10	4	2.0L	MR20	TT1712-180		INC	
EXA	KEN13	02/87	01/88	4	1.6L	CA16DE	TT241-180	TT2041-180	TTG15 TTG16	Check illustrations for correct application
EXA	KCN13	01/88	10/91	4	1.8L	CA18DE	TT241-180	TT2041-180	TTG17	
Fairlady		01/63	12/71	4	1.5L	J15	TT1-180	TT2000-180		
Gazelle	S12	01/84	11/88	4	2.0L	CA20E	TT241-180	TT2041-180	TTG15	
Homer	F20, T20	01/69	12/81	4	1.6L,2.0L	J16,H20	TT1-180	TT2000-180	TTG43	
Infiniti	Q45 - NG50	09/93	01/97	V8	4.5L	VH45DE	—	TT268-170		
Infiniti	Q45 - NG51	07/95	12/97	V8	4.5L	VH45DE	—	TT282-170		
Largo	W30 (Import)	05/93	06/99	4	2.0L	CD20ETI	—	TT281-180		
Largo	W30 (Import)	05/93	06/99	4	2.4L	KA24DE	—	TT2028-170		
Lucino	B14, N15 NZ only)	01/94	01/99	4	1.5L	GA15DE	TT214-170	TT2014-170	TTG29U	
March	K11 (NZ only)	01/92	01/02	4	1.0L	CG10DE	TT239-180		TTG3	
March	K12 (NZ only)	01/02	01/05	4	1.2L	CR12DE	TT330-180			
Maxima	J30 (Import)	10/88	08/91	V6	3.0L	VG30E	—	TT268-170		
Maxima	J30 (Import)	08/91	10/94	V6	3.0L	VG30E	—	TT268-180		
Maxima	A31	01/93	02/95	V6	3.0L	VG30E	—	TT268-170	TTG45	
Maxima	J31	11/03	03/09	V6	3.5L	VQ35DE	TT431-180P		INC	
Maxima	UA32	02/95	11/99	V6	3.0L	VQ30DE	—	TT268-170		
Maxima	UA33	11/99	11/03	V6	3.0L	VQ30DE	TT343-180P		INC	
Micra	AK11E	05/95	12/98	4	1.3L	CG13DE	TT244-180		TTG3	
Murano	Z50 - ST, TI	07/05	01/09	V6	3.5L	VQ35	TT391-180P		INC	
Murano	Z51	01/09	12/10	V6	3.5L	VQ35DE	TT391-180P TT431-180P		INC INC	Check illustrations for correct application
Navara	D21	01/86	05/92	4	2.4L	Z24	TT241-180	TT2041-180	TTG15 TTG40	Check illustrations for correct application
Navara	D21	06/92	12/97	4	2.4L	KA24E	TT228-170	TT2028-170		
Navara	D21	06/92	02/97	V6	3.0L	VG30E	—	TT268-180	TTG45	
Navara	D22	03/97	06/99	4	2.4L	KA24E	TT228-170	TT2028-170	TTG11 TTG40	Check illustrations for correct application
Navara	D22 - Series II	07/99	12/01	4	2.4L	KA24DE	—	TT2028-170	TTG11 TTG40	Check illustrations for correct application
Navara	D22	06/00	03/03	V6	3.0L	VG30E	—	TT281-180		
Navara	D22	03/03	12/05	V6	3.3L	VG33E	—	TT268-180		
Navara	D40	12/05	12/10	V6	4.0L	VQ40	TT391-180P		INC	
Navara	FGD21	01/86	10/95	4	2.0L	Z20	TT241-180	TT2041-180		
Navara	HGD21	06/92	02/97	V6	3.0L	VG30E	—	TT268-170		
Navara (Diesel)	D21	01/86	05/92	4	2.5L	SD25,TD25	TT233-180	TT2033-180	TTG43	
Navara (Diesel)	D21	01/88	02/97	4	2.7L	TD27	TT233-180	TT2033-180	TTG43	
Navara (Diesel)	D22 (NZ only)	01/02	12/10	4	2.5L	YD25DDT	—	TT302-180	TTG45	
Navara (Diesel)	D22 - Inc. Series II	03/97	12/01	4	2.7L	TD27	TT233-180	TT2033-180	TTG28 TTG29U TTG43	Check illustrations for correct application
Navara (Diesel)	D22 - Turbo Diesel	12/01	12/10	4	3.0L	ZD30	—	TT281-180		
Navara (Diesel)	D22 - Inc. Series II	03/97	12/01	4	3.2L	QD32TI	TT233-180	TT2033-180		
Navara (Diesel)	D40 - Turbo Diesel	12/05	12/10	4	2.5L	YD25	—	TT297-180		
Navara (Diesel)	D40 - Titanium Edition	07/09	12/10	4	2.5L	YD25	—	TT534-180	INC	
Nomad	GC22	01/87	01/92	4	2.4L	Z24	TT241-180	TT2041-180	TTG40	

Make and Model		Year		Engine			Part Number			Notes
		Start	Finish	Cyl	Size	Model	Standard Thermostat	High Flow Thermostat	Gasket	
Nissan cont.										
NX(-R)	AB13	10/91	01/96	4	2.0L	SR20DE	—	TT2028-170	TTG11 TTG20U	Check illustrations for correct application
Pathfinder	D21	01/86	01/92	4	2.4L	Z24	TT241-180	TT2041-180	TTG40	
Pathfinder	D21 - MPFI	10/92	11/95	V6	3.0L	VG30E	—	TT268-170	TTG45	
Pathfinder	R50 - MPFI	11/95	01/99	V6	3.3L	VG33E	—	TT268-170	TTG45	
Pathfinder	R50 - Series II	02/99	07/05	V6	3.3L	VG33E	—	TT268-180	TTG45	
Pathfinder	R51 - Turbo Diesel	07/05	12/10	4	2.5L	YD25	—	TT297-180		
Pathfinder	R51	07/05	12/10	V6	4.0L	VQ40	TT391-180P		INC	
Patrol	G60	01/85	01/80	6	4.0L	P40	TT1-180	TT2000-180	TTG15 TTG17	Check illustrations for correct application
Patrol	G60	01/80	01/85	6	4.0L	P40	—	TT332-180	TTG20U	
Patrol	MQ	01/80	12/87	6	2.8L	L28	TT241-180	TT2041-180	TTG15 TTG17	Check illustrations for correct application
Patrol	MQ	01/80	01/85	6	4.0L	P40	TT241-170	TT2041-170	TTG29U	
Patrol	GQ	01/90	12/97	6	3.0L	RB30S	—	TT268-170	TTG18	
Patrol	GQ	02/88	12/99	6	4.2L	TB42,E,S	—	TT332-180	TTG20U	
Patrol	GU	12/97	10/01	6	4.5L	TB45E	—	TT320-180	TTG45	
Patrol	GU	10/01	01/06	6	4.8L	TB48DE	—	TT301-170	INC	
Patrol	GU	02/06	12/10	6	4.8L	TB48DE	—	TT282-170	TTG45	
Patrol (Diesel)	MQ - Inc. Turbo	01/80	12/87	6	3.3L	SD33,T	TT228-170	TT2028-170	TTG29U	
Patrol (Diesel)	GQ - Series II Turbo Diesel	02/95	12/97	6	2.8L	RD28T	—	TT268-180	TTG29U	
Patrol (Diesel)	GQ	08/87	12/97	6	4.2L	TD42	TT233-170 TT241-170	TT2033-170 TT2041-170	TTG43 TTG43	Check illustrations for correct application
Patrol (Diesel)	GU - Turbo Diesel	01/98	04/00	6	2.8L	RD28ET	—	TT268-180		
Patrol (Diesel)	GU - Turbo Diesel	04/00	10/01	4	3.0L	ZD30DET	—	TT299-170	INC	
Patrol (Diesel)	GU - Turbo Diesel	10/01	12/10	4	3.0L	ZD30T	—	TT281-180		
Patrol (Diesel)	GU - Inc. Turbo	05/99	09/07	6	4.2L	TD42,T	TT228-170	TT2028-170		
Pintara	U12, U13	01/86	10/92	4	2.0L	CA20E	TT241-180	TT2041-180	TTG15	
Pintara	U12, U13	01/86	10/92	4	2.4L	KA24	—	TT2028-170	TTG11 TTG20U	Check illustrations for correct application
Prairie	M10	12/82	12/86	4	1.5L	E15	TT241-180	TT2041-180	TTG15	
Prairie	M11 (NZ only)	01/95	01/98	4	2.0L	SR20DE	TT228-170	TT2028-170	TTG11 TTG20U	Check illustrations for correct application
Presea	R11 (NZ only)	01/94	01/00	4	1.8L	SR18DE	—	TT381-180	TTG43	
Primera	P10 (NZ only)	01/90	01/96	4	1.8L	SR18DE	—	TT381-180	TTG43	
Primera	P11 (NZ only)	01/95	01/99	4	1.8L	SR18DE	TT564-180			
Primera	P10 (NZ only)	01/89	01/96	4	2.0L	SR20DE	TT228-170	TT2028-170	TTG43	
Primera	P11 (NZ only)	01/95	01/02	4	2.0L	SR20DE	—	TT2028-170	TTG43	
Pulsar	N10	10/81	12/82	4	1.3L	E13	TT241-180	TT2041-180	TTG16	
Pulsar	N10	10/80	10/81	4	1.4L	A14	TT241-180	TT2041-180	TTG50	
Pulsar	N10	10/81	12/82	4	1.5L	E15	TT241-180	TT2041-180	TTG16	
Pulsar	N12	11/82	07/87	4	1.3L-1.6L	E13 - E16	TT241-180	TT2041-180	TTG16	
Pulsar	N13	06/87	09/91	4	1.6L,1.8L	16LF,18LF	—	TT283-195P	INC	
Pulsar	N14 (NZ only)	01/90	01/97	4	1.5L	GA15DS	—	TT381-180	TTG43	
Pulsar	N14	10/91	09/95	4	1.6L	GA16DE	TT214-170	TT2014-170	TTG47	
Pulsar	N14 - Inc. Turbo	08/90	09/95	4	2.0L	SR20DE,T	—	TT2028-170	TTG11 TTG20U	Check illustrations for correct application
Pulsar	N15	10/95	04/98	4	1.6L	GA16DE	TT214-170	TT2014-170		
Pulsar	N15	04/98	07/02	4	1.6L	GA16DE	TT214-180	TT2014-180		
Pulsar	N15	10/95	07/00	4	2.0L	SR20DE	—	TT2028-170	TTG11 TTG20U	Check illustrations for correct application
Pulsar	N16 (NZ only)	01/01	12/03	4	1.5L	QG15DE	TT214-180	TT2014-180	TTG47	
Pulsar	N16	07/00	03/03	4	1.6L	QG16DE	TT214-180	TT2014-180	TTG47	
Pulsar	N16	07/00	01/06	4	1.8L	QG18DE	TT214-180	TT2014-180	TTG47	
Sentra	N14 (NZ only)	01/91	01/96	4	1.6L	GA16DE	TT214-170	TT2014-170	TTG47	
Sentra	N15 (NZ only)	01/96	01/99	4	1.5L	GA15DE	TT214-170	TT2014-170	TTG40 TTG47	Check illustrations for correct application
Serena	AC23	10/92	11/95	4	2.0L	SR20DE	—	TT2028-170	TTG11 TTG20U	Check illustrations for correct application
Silvia	S12 Import Inc. Turbo	08/83	05/88	4	1.8L,2.0L	CA18,FJ20	TT241-180	TT2041-180	TTG15 TTG17	Check illustrations for correct application
Silvia	S13 Import Inc. Turbo	05/88	01/91	4	1.8L	CA18	TT241-180	TT2041-180	TTG15 TTG17	Check illustrations for correct application
Silvia	S13 - Import	01/91	10/93	4	2.0L	SR20D	—	TT2028-170		
Silvia	S14 - Import	10/93	01/99	4	2.0L	SR20DE,T	—	TT2028-170		

Vehicle Application List

Make and Model		Year		Engine			Part Number			Notes
		Start	Finish	Cyl	Size	Model	Standard Thermostat	High Flow Thermostat	Gasket	
Nissan cont.										
Silvia	S15 - Import	01/99	12/06	4	2.0L	SR20DE,T	—	TT2028-170		
Skyline	C210	03/78	03/81	6	2.4L	L24	TT241-180	TT2041-180	TTG39	
Skyline	R30	03/81	06/86	6	2.4L	L24E	TT241-180	TT2041-180	TTG19	
Skyline	R31 - Import	08/85	04/89	4	1.8L	CA18S	TT241-180	TT2041-180		
Skyline	R31 - Import Inc. Turbo	08/85	04/89	6	2.0L	RB20D,E,T	—	TT268-170		Alternate temperatures available for high performance applications.
Skyline	R31 - Turbo Import	08/85	04/89	6	2.0L	RB20DT	—	TT268-170		Alternate temperatures available for high performance applications.
Skyline	R31 - Import	08/85	04/89	6	2.8L	RD28	—	TT268-180		
Skyline	R31	07/86	12/90	6	3.0L	RB30E	—	TT268-170	TTG18	
Skyline	R32 - Import	05/89	12/10	4	1.8L	CA18i	TT241-180	TT2041-180		
Skyline	R32 - Import	05/89	08/93	6	2.0L	RB20DE,E	—	TT268-170		Alternate temperatures available for high performance applications.
Skyline	R32 - Turbo Import	05/89	08/93	6	2.0L	RB20DT	—	TT268-170		Alternate temperatures available for high performance applications.
Skyline	R32 - Import	08/91	08/93	6	2.5L	RB25DE	—	TT268-170		Alternate temperatures available for high performance applications.
Skyline	R32 - Turbo Import	05/89	08/93	6	2.6L	RB26DTT	—	TT268-170		Alternate temperatures available for high performance applications.
Skyline	R32A - Twin Turbo	01/91	12/93	6	2.6L	RB26DETT	—	TT268-170		Alternate temperatures available for high performance applications.
Skyline	R33 - Import	08/93	05/98	6	2.0L	RB20E	—	TT268-170		Alternate temperatures available for high performance applications.
Skyline	R33 Import Inc. Turbo	08/93	05/98	6	2.5L	RB25DE,T	—	TT268-170		Alternate temperatures available for high performance applications.
Skyline	R33 - Twin Turbo	01/95	01/98	6	2.6L	RB26DETT	—	TT268-170		Alternate temperatures available for high performance applications.
Skyline	R34 - Import	05/98	12/10	6	2.0L	RB20DE	—	TT268-180		Alternate temperatures available for high performance applications.
Skyline	R34 - Turbo Import	05/98	12/10	6	2.5L	RB25DET	—	TT268-180		Alternate temperatures available for high performance applications.
Skyline	R34 - Twin Turbo	01/99	12/10	6	2.6L	RB26DETT	—	TT268-170		Alternate temperatures available for high performance applications.
ST		09/82	01/86	4	2.0L	Z20	TT241-180	TT2041-180		
ST	XFN - Utility	07/88	12/91	6	4.1L		TT1-192	TT2000-192	TTG15	
Stanza	A10	10/78	09/83	4	1.6L	L16	TT1-180	TT2000-180	TTG15 TTG17	Check illustrations for correct application
Sunny	B310	01/79	12/81	4	1.2L-1.5L	A12 - A15	TT1-180	TT2000-180	TTG23	
Sunny	B14 (NZ only)	01/94	01/98	4	1.5L	GA15DE	—	TT381-170	TTG43	
Sunny	B15 (NZ only)	01/98	01/04	4	1.5L	QG15DE	TT228-170	TT2028-170	TTG43	
Terrano	WD21 - Import	08/86	10/89	4	2.7L	TD27	TT233-180	TT2033-180		
Terrano	WD21 - Import	01/93	08/95	4	2.7L	TD27T	TT330-180			
Terrano	WD21 - Import	08/87	08/95	V6	3.0L	VG30E,I	—	TT268-170		
Terrano	R50 - Turbo Diesel	01/95	01/98	4	2.7L	TD27ETI	TT330-180		TTG45	
Terrano	R50 - Import	09/95	02/99	4	2.7L	TD27Ti	TT330-180			
Terrano	R50 - Import	02/99	09/01	4	3.0L	ZD30DDTi	—	TT281-180	TTG34	
Terrano	R50 - Import	09/95	02/99	4	3.2L	QD32Ti	TT330-180			
Terrano	R50 - Import	09/95	09/01	V6	3.3L	VG33E	—	TT268-180		
Terrano	JR50 - Import	02/99	09/01	4	3.0L	ZD30DDTi	—	TT281-180	TTG34	
Terrano	JR50 - Import	08/96	09/01	V6	3.3L	VG33E	—	TT268-180		
Terrano II	R20	03/97	06/00	4	2.4L	KA24E	—	TT2028-170		
Terrano II	R20 - Turbo Diesel	03/97	06/00	4	2.7L	TD27Ti	TT330-180		TTG29U	
TIIDA	C11	02/06	12/10	4	1.8L	MR18DE	TT457-205 TT1712-180		INC INC	Check illustrations for correct application
Urvan	E20	04/74	12/75	4	1.5L	J15	TT1-180	TT2000-180	TTG43	
Urvan	E20, E23	04/74	12/82	4	1.6L	J16	TT1-180	TT2000-180	TTG43	
Urvan	E20, E23	01/76	12/82	4	2.0L	H20	TT1-180	TT2000-180	TTG43	

Make and Model		Year		Engine			Part Number			Notes
		Start	Finish	Cyl	Size	Model	Standard Thermostat	High Flow Thermostat	Gasket	
Nissan cont.										
Urvan	E23	09/82	12/87	4	2.0L	Z20S	TT241-170	TT2041-170	TTG40	
Urvan	E23 - Diesel	11/80	07/83	4	2.2L	SD22	TT241-170	TT2041-170	TTG43	
Urvan	E23 - Diesel	09/82	12/87	4	2.3L	SD23	TT241-170	TT2041-170		
Urvan	E24	03/87	09/93	4	2.4L	Z24	TT241-170	TT2041-170	TTG40	
Urvan	E24 - Diesel	03/87	09/93	4	2.7L	TD27	TT241-170	TT2041-170		
Vanette	C120	07/82	12/84	4	1.2L	A12	TT241-180	TT2041-180	TTG40	
Vanette	C120	11/84	01/86	4	1.5L	A15	TT241-180	TT2041-180	TTG40	
Vanette	C20	10/80	12/82	4	1.2L	A12	TT241-180	TT2041-180	TTG40	
Vanette	C22	12/86	01/93	4	2.0L	Z20	TT241-180	TT2041-180	TTG40	
Vanette Largo	GC22 - Import	05/86	04/93	4	1.5L	A15S	TT241-170 TT241-180 TT241-190	TT2041-170 TT2041-180 TT2041-190		Check original thermostat temperature for correct application
Vanette Largo	GC22 - Import	05/86	06/91	4	1.8L	CA18T	TT241-180 TT241-190	TT2041-180 TT2041-190	TTG29U TTG29U	Check original thermostat temperature for correct application
Vanette Largo	GC22 - Import	05/86	04/93	4	2.0L	LD20,T	TT233-192	TT2033-192	TTG29U	
Vanette Largo	GC22 - Import	05/86	06/91	4	2.0L	CA20S	TT241-180 TT241-190	TT2041-180 TT2041-190	TTG29U TTG29U	Check original thermostat temperature for correct application
Wingroad	Y10 (NZ only)	01/94	01/99	4	1.5L	GA15DS	TT214-170	TT2014-170	TTG43	
Wingroad	Y11 (NZ only)	01/99	01/03	4	1.5L	QG15DE	TT214-180	TT2014-180	TTG43	
X-Trail	T30	10/01	09/07	4	2.5L	QR25DE	—	TTP1	INC	TTP1 contains TT427-180 + TT457-205 (Vehicle requires 2 Thermostats)
X-Trail	T31	10/07	12/10	4	2.5L	QR25	TT427-180 TT1370-180		INC INC	Check illustrations for correct application
Peugeot										
205	1.9 - GTi	01/87	12/94	4	1.9L	XU9JA	TT276-180		TTG33	
205	1.6	01/91	12/94	4	1.6L	XU5M3	TT276-180		TTG33	
206	1.4 - SOHC 8V	03/02	03/04	4	1.4L	TP3UJP	TT438-192P		INC	
206	1.6	01/06	06/07	4	1.6L	TU5JP4	TT438-192P		INC	To Chassis No 10401
206	1.6	01/06	06/07	4	1.6L	TU5JP4	TT618-195		INC	From Chassis No 10402
206	2.0 - GTi, GTi 180	10/03	02/07	4	2.0L	EW10J4,S	TT443-192P		INC	
206CC	1.6	11/01	09/04	4	1.6L	TU5JP4	TT438-192P		INC	To Chassis No 10401
206CC	1.6	11/01	09/04	4	1.6L	TU5JP4	TT618-195		INC	From Chassis No 10402
206CC	2.0 - GTi	11/01	06/07	4	2.0L	EW10J4	TT443-192P		INC	
207	1.4 - SOHC 8V	02/07	12/10	4	1.4L	TU3A	TT573-217		INC	
207	1.4 - DOHC 16V	02/07	12/10	4	1.4L	ET3J4	TT618-195		INC	
207	1.6 HDI	02/07	12/10	4	1.6L	DV6TED4	TT574-181		INC	To Chassis No 11045
207	1.6 HDI	02/07	12/10	4	1.6L	DV6TED4	TT616-181		INC	From Chassis No 11046
306	1.8 - SOHC 8V	04/94	12/01	4	1.8L	XU7JP	TT276-180		TTG29U	
306	1.8 - DOHC 16V	07/97	12/01	4	1.8L	XU7JP4	TT276-180		TTG29U	
306	2.0 - SOHC 8V	11/95	06/97	4	2.0L	XU10J2	TT276-180		TTG29U	
306	2.0 - DOHC 16V	07/94	12/01	4	2.0L	XU10J4	TT276-180		TTG29U	
306	1.9 DT	04/96	12/01	4	1.9L	XUD9TE/L3	TT265-180	TT2065-180	TTG49	
306	2.0 HDI	04/00	12/01	4	2.0L	DW10 TD	TT228-180	TT2028-180	TTG11	
307	1.6	12/01	06/08	4	1.6L	TU5JP4	TT438-192P		INC	
307	1.6	10/05	06/08	4	1.6L	TU5JP4	TT438-192P		INC	
307	2.0	12/01	10/05	4	2.0L	EW10J4	TT443-192P		INC	
307	2.0	10/05	06/08	4	2.0L	EW10A	TT443-192P		INC	Check illustrations & specs for correct application (89°C)
307	2.0	10/05	06/08	4	2.0L	EW10A	TT570-221		INC	Check illustrations & specs for correct application (105°C)
307	1.6 HDI	10/05	06/08	4	1.6L	DV6TED4	TT616-181		INC	From Chassis No 11167
307	1.6 HDI	10/05	06/08	4	1.6L	DV6TED4	TT574-181		INC	To Chassis No 11166
307	2.0 HDI	12/01	10/05	4	2.0L	DW10TD	TT228-180	TT2028-180	TTG11	
307	2.0 HDI	10/05	06/08	4	2.0L	DW10BTED4	TT584-183		INC	
307CC	2.0	11/03	10/05	4	2.0L	EW10J4	TT443-192P		INC	
307CC	2.0	10/05	06/09	4	2.0L	EW10A	TT570-221		INC	
307CC	2.0 - Sport	10/05	12/08	4	2.0L	EW10J4S	TT443-192P		INC	
308	1.6 HDI	07/08	12/10	4	1.6L		TT616-181		INC	
308	2.0 HDI	02/08	12/10	4	2.0L	DW10BTED4	TT584-183		INC	
3008	1.6 HDI	06/10	12/10	4	1.6L	DV6TED4	TT616-181		INC	
405	1.9 - SOHC 8V	02/89	04/93	4	1.9L	XU9J2	TT228-195	TT2028-195	TTG29U	
405	1.9 - DOHC 16V	02/89	04/93	4	1.9L	XU9J4	TT276-192		TTG29U	

Vehicle Application List

Make and Model		Year		Engine			Part Number			Notes
		Start	Finish	Cyl	Size	Model	Standard Thermostat	High Flow Thermostat	Gasket	
Peugeot cont.										
405	2.0 - DOHC 16V	05/93	05/96	4	2.0L	XU10J4	TT276-180		TTG29U	
405	2.0 - SOHC 8V	05/93	05/96	4	2.0L	XU10J2	TT276-192		TTG74	
405	1.9 DT	01/93	12/96	4	1.8L	XU9TE	—	TT249-180	TTG31	
406	2.0 - DOHC 16V	09/96	09/04	4	2.0L	XU10J4R	—	TT2000-180	TTG11	High flow thermostat recommended only
406	2.0 - DOHC 16V	08/99	09/04	4	2.0L	EW10J4	TT443-192P		INC	
406	3.0 - V6	09/97	09/04	V6	3.0L	ES9J4,S	TT8700-180P			
406	2.1 DT	10/97	12/99	4	2.1L	XUD11BTE	TT1309-176 TT1309-185		INC INC	Check original thermostat temperature for correct application
406	2.0 HDi	08/99	08/04	4	2.0L	DW10ATED	TT443-192P		INC	
407	2.2 - DOHC 16V	09/04	08/09	4	2.2L	EW12J4	TT443-192P		INC	
407	3.0 - V6	09/04	03/09	V6	3.0L	ES9J4	TT8700-180P			
407	2.0 HDi	09/04	12/10	4	2.0L	DW10BTED4	TT566-183		INC	To Chassis No 10310
407	2.0 HDi	09/04	12/10	4	2.0L	DW10BTED4	TT584-183		INC	From Chassis No 10311
407	2.7 - V6 HDi	03/06	01/10	V6	2.7L	DT17TED4	TT1685-190		INC	
4007		10/09	12/10	4	2.2L	DW12MTED4	TT1747-181		INC	
504	2.0	01/71	12/83	4	2.0L	XN1	TT208-170		TTG68	
504	2.3 - Diesel	01/78	12/82	4	2.3L	XD2	TT238-170			
505	2.0 - 2.2	01/80	12/90	4	2.0L-2.2L	XN1,ZDJ	—	TT248-180	TTG31	
505	2.2	01/90	01/93	4	2.2L	ZDJL	—	TT277-180	TTG31	
505	2.3 DT	01/81	1982	4	2.3L	XD2S	TT238-170			
505	2.3 DT	1982	12/88	4	2.3L	XD2S	—	TT249-170	TTG31	
505	2.5 DT - GTD	01/87	01/89	4	2.5L	XD3T	—	TT249-170	TTG31	
605	3.0 - V6	03/94	08/96	V6	3.0L	ZPJ	—	TT249-180	TTG31	
607	3.0 - V6	11/01	06/08	V6	3.0L	ES9	TT8700-180P			
Expert	2.0 HDi	08/08	12/10	4	2.0L	DW10BTED4	TT584-183		INC	
Partner	1.6 - L1	09/08	12/10	4	1.6L	TU5JP4B	TT618-195		INC	
Partner	1.6 HDi - L1, L2	09/08	12/10	4	1.6L		TT616-181		INC	
Proton										
Gen.2	CM - L, M, H	10/04	03/09	4	1.6L	S4PH	—	TT281-180		
Jumbuck	GLI, GLSI	02/03	12/10	4	1.5L	4G15P	TT240-180	TT2040-180	TTG15	
M21		10/97	11/00	4	1.8L	4G93	—	TT281-180	TTG34	
Persona	Gli	10/99	10/04	4	1.3L	4G13	TT240-192	TT2040-192	TTG15	
Persona	Gli	11/96	09/99	4	1.5L	S3/4G15	TT240-192	TT2040-192	TTG15	
Persona	Xli	11/96	10/04	4	1.6L	S4/4G92	—	TT281-180	TTG34	
Satria	GL	10/99	06/02	4	1.3L	4G13	TT240-192	TT2040-192	TTG15	
Satria	GL, Gli	02/97	09/99	4	1.5L	S3,4G15	TT240-192	TT2040-192	TTG25	
Satria	XLi	02/97	11/00	4	1.6L	S4,4G92	—	TT281-180	TTG34	
Satria	Gti	10/99	01/07	4	1.8L	4G93	—	TT281-180	TTG34	
Waja		12/01	10/05	4	1.6L	4G18P	—	TT8047-192P	INC	
Wira		05/95	11/96	4	1.5L	4G15	TT240-192	TT2040-192	TTG15	
Wira		05/95	11/96	4	1.6L	4G92	—	TT281-180	TTG34	
Range Rover										
Range Rover	2.4 - Turbo Diesel	03/88	12/90	4	2.4L	VM	TT1-180	TT2000-180	TTG20U	
Range Rover	2.9 - Turbo Diesel TD6	08/02	01/07	6	2.9L	306D	TT571-190		INC	
Range Rover	3.5	01/72	12/89	V8	3.5L		—	TT2000-180	TTG20U	
Range Rover	3.9	12/89	04/95	V8	3.9L	37D,38D	TT1-180	TT2000-180	TTG20U	
Range Rover	4.0 - SE	05/95	05/00	V8	4.0L	44D	TT1-180	TT2000-180	TTG20U	
Range Rover	4.0 - S	01/98	07/02	V8	4.0L	44D	TT440-180P		INC	
Range Rover	4.4 - Vogue	08/05	12/07	V8	4.4L	ZF 5HP24	TT468-221P		INC	
Range Rover	4.6 - HSE	05/95	07/02	V8	4.6L	48D	TT440-180P			
Renault										
Clio		01/02	06/06	4	1.4L	K4J	TT305-192		TTG47	
Clio		07/06	12/08	4	1.4L	K4J	TT305-192 TT1706-192		TTG47 INC	Check illustrations for correct application
Clio	Privilege	01/02	06/06	4	1.6L	K4M	TT305-192		TTG47	
Clio		05/01	10/06	4	2.0L	F4R	TT305-192		TTG47	
Clio		08/08	12/10	4	2.0L	F4R	TT305-167		TTG47	
Fuego		08/84	12/88	4	2.0L	J6R	—	TT277-180	TTG33	
Grand Scenic II		02/07	12/10	4	2.0L		TT305-192		TTG47	
Kangoo	X76	08/04	12/10	4	1.6L	K4M	TT305-192		TTG47	
Koleos	H45	09/08	12/10	4	2.0L	M9RC833	TT623-189		INC	

Make and Model		Year		Engine			Part Number			Notes
		Start	Finish	Cyl	Size	Model	Standard Thermostat	High Flow Thermostat	Gasket	
Renault Cont.										
Koleos	H45	09/08	12/10	4	2.5L	2TR 70	TT233-180	TT2033-180		
Laguna		01/95	07/96	4	2.0L	F3R	TT276-180		TTG20U	
Laguna		03/02	01/06	4	2.0L	F4R 713	TT305-192		TTG47	
Laguna		01/95	07/96	V6	3.0L	Z7X	TT1326-183			
Laguna		03/02	01/06	V6	3.0L	L7X 731F	TT8700-180P			
Megane		05/01	12/10	4	1.6L	K4M	TT305-192		TTG47	
Megane	Privilege Turbo Diesel	07/07	09/09	4	1.9L	F9QJ 803	TT515-192		INC	
Megane	Petrol	11/03	12/10	4	2.0L	F4RZ	TT305-192		TTG47	
Megane	Sport dCi Turbo Diesel	08/08	12/10	4	2.0L		TT624-192		INC	
R10		08/66	12/71	4	1.1L	ABG	TT237-180P			
R12		01/70	12/76	4	1.3L	810,A12	TT237-180P			
R12	1.4	10/76	12/77	4	1.4L	AT12	TT345-192P		TTG20U	
R15		01/73	12/76	4	1.6L	807	TT237-180P			
R16		01/68	12/77	4	1.5L,1.6L	697,A16	TT237-180P			
R17	Carb.	05/73	12/76	4	1.6L	807	TT237-180P			
R18		03/80	12/83	4	1.6L	A/M18	TT237-192P			
R19	EFI	09/91	12/95	4	1.7L	F3N	TT276-192		TTG34	
R19	EFI	03/95	12/96	4	1.8L	F3P	TT305-192		TTG47	
R20		01/75	12/83	4	2.0L	829	—	TT277-180	TTG31	
R21		01/88	12/91	4	2.2L	J7T	TT237-192P			
R25		01/85	12/91	4, V6	2.2L,2.8L	J7T,W	—	TT277-180	TTG33	
Scenic		05/01	02/05	4	1.6L,2.0L	F4	TT305-192		TTG47	
Scenic II		02/05	12/10	4	2.0L	F4RZ 770	TT305-192		TTG47	
Trafic	1.9 - Turbo Diesel	04/04	04/07	4	1.9L	F4Q	TT276-192 TT507-192 TT515-192		— INC INC	Check illustrations for correct application
Trafic	2.0 dCi - Turbo Diesel	05/07	12/10	4	2.0L	M9R	TT305-192		TTG47	
Virage	Carb.	10/76	01/80	4	1.4L	AT12	TT345-192P		TTG20U	
SAAB										
9-3		06/98	09/02	4	2.0L	B204E,L	TT265-180	TT2065-180	TTG49	
9-3		06/98	12/99	4	2.3L	B234I	TT265-180	TT2065-180	TTG49	
9-3		11/98	09/02	4	2.0L	B205E	TT265-180	TT2065-180	TTG49	
9-3	Viggen	08/99	01/01	4	2.3L	B235R	TT265-180	TT2065-180	TTG49	
9-3	Inc. Convertible	10/02	01/07	4	2.0L		TT1-180	TT2000-180	TTG11	
9-3	Turbo Diesel	01/07	12/10	4	1.9L	Z19DTH	TT1669-190		INC	
9-5	S, SE - S, SE	11/97	01/01	4	2.3L	B235LE	TT265-180	TT2065-180	TTG49	
9-5	S,SE & Griffin	03/99	11/01	V6	3.0L	B308E	TT265-180	TT2065-180	TTG49	
9-5		07/99	01/01	4	2.0L	B205LE	TT265-180	TT2065-180	TTG49	
9-5		11/01	12/10	4	2.3L	B235E	TT265-192	TT2065-192	TTG49	
9-5	Aero	05/06	12/10	4	2.3L	B235R	TT265-192	TT2065-192	TTG49	
9-5	Vector	05/06	12/10	4	2.3L	B235L	TT265-192	TT2065-192	TTG49	
99		01/68	12/73	4	1.9L		TT272-180		TTG49	
99		03/73	12/79	4	2.0L		TT265-180 TT272-180	TT2065-180 —	TTG49 TTG49	Check illustrations for correct application
900		03/79	12/84	4	2.0L	B120	TT272-180		TTG49	
900		04/79	12/87	4	2.0L	B201 I	TT233-180	TT2033-180	TTG49	
900		01/83	01/86	4	2.0L	BS120	TT272-180		TTG49	
900		06/85	01/93	4	2.0L	B202L	TT233-180	TT2033-180	TTG11	
900		09/87	12/93	4	2.0L	B202I	TT265-192	TT2065-192	TTG49	
900		03/91	01/93	4	2.1L	B212	TT272-180		TTG49	
900		03/94	12/98	4	2.0L	B206	TT228-195	TT2028-195	TTG49	
900		03/94	12/98	V6	2.5L	B256/8/S	TT265-192	TT2065-192	TTG49	
900		10/94	12/98	4	2.3L	B234	TT265-192	TT2065-192	TTG49	
900	SE	10/94	11/96	V6	2.5L	B202	TT349-198P		INC	
900		12/94	12/98	4	2.0L	B204L	TT265-192	TT2065-192	TTG49	
9000		05/86	02/91	4	2.0L	B202,L	TT233-180	TT2033-180	TTG9 TTG28	Check illustrations for correct application
9000		05/90	03/96	4	2.3L	B234	TT233-180	TT2033-180	TTG9 TTG28	Check illustrations for correct application
9000		03/91	01/97	4	2.3L	B234	TT265-192	TT2065-192	TTG49	
9000		02/95	12/96	4	2.3L	B234L	TT228-195	TT2028-195	TTG49	
9000		05/92	12/97	4	2.3L	B234	TT265-180 TT265-192	TT2065-180 TT2065-192	TTG11 TTG11	Check illustrations for correct application

Vehicle Application List

Make and Model		Year		Engine			Part Number			Notes
		Start	Finish	Cyl	Size	Model	Standard Thermostat	High Flow Thermostat	Gasket	
SAAB cont.										
9000		02/96	12/98	4	2.3L	B234L4	TT265-192	TT2065-192	TTG49	
9000		02/95	02/97	V6	3.0L	B308	TT349-192P		INC	
Seat										
Cordoba		09/98	12/00	4	1.6L	AEE,AFT	TT234-192	TT2034-192	TTG20U TTG28	Check illustrations for correct application
Cordoba		01/95	12/00	4	1.8L	ABS,ABY,ADZ	TT234-192	TT2034-192	TTG20U TTG28	Check illustrations for correct application
Ibiza	CLX	01/95	12/98	4	1.4L	ABD	TT234-180	TT2034-180	TTG20U TTG28	Check illustrations for correct application
Ibiza		01/95	12/00	4	2.0L	2E,ABF	TT234-192	TT2034-192	TTG20U TTG28	Check illustrations for correct application
Toledo		01/95	12/00	4	2.0L	2E,ABF,AGG	TT234-192	TT2034-192	TTG20U TTG28	Check illustrations for correct application
Skoda										
Octavia	1Z	10/07	12/10	4	1.8L	BZB	TT1743-203		INC	
Octavia	1Z	10/07	12/10	4	1.9L	BXE	TT234-192	TT2034-192	TTG27	
Octavia	1Z	10/07	12/10	4	2.0L	BKD	TT1-190	TT2000-190	TTG27	
Octavia	1Z	10/07	12/10	4	2.0L	BVY	TT597-189		INC	
Octavia	RS - 1Z	10/07	12/10	4	2.0L	BWA	TT580-189		INC	
Octavia	Scout	09/08	12/10	4	2.0L	BMM	TT234-192	TT2034-192	TTG27	
Roomster	5J	10/07	12/10	4	1.6L	BTS	TT1745-181		INC	
Roomster	5J	10/07	12/10	4	1.9L	BSW	TT234-192	TT2034-192	TTG27	
Superb		05/09	12/10	4	1.8L	BZB	TT1743-203		INC	
Superb		05/09	08/09	4	2.0L	CBBB	TT1-190	TT2000-190	TTG27	
Smart										
ForTwo Coupe	C450 - C450	10/04	01/08	3	0.7L	SUPREX	TT547-195		INC	
ForFour	W454	10/04	01/07	4	1.5L	M135.950	—	TT374-180	INC	
ForFour	W454	04/06	01/07	4	1.5L	4G15	TT1404-180		INC	
Ssangyong										
Actyon	A200 Inc. Sports	03/07	12/10	4	2.0L	OM664.951	—	TT251-185	TTG31	
Chairman	CM600S - W100	08/05	09/07	6	3.2L	M162.994	—	TT248-189	TTG33	
Korando		02/98	07/98	4	2.3L	M161.973	—	TT248-180	TTG20U	
Korando		03/04	06/07	5	2.9L	6621020	—	TT248-180	TTG20U	
Korando		01/05	06/07	6	3.2L	16299300	—	TT248-189	TTG33	
Kyron	D100	02/06	12/10	4	2.0L	664 950	—	TT251-185	TTG31	
Kyron	D100	06/06	12/10	5	2.7L	665 995	—	TT251-185	TTG31	
Kyron	D100	06/06	07/07	6	3.2L	M162.950	—	TT248-189	TTG33	
Musso		09/97	07/98	4	2.3L	M111-97	—	TT248-180	TTG20U	
Musso		07/96	07/98	5	2.9L	OM602	—	TT248-180	TTG20U	
Musso		03/04	09/07	5	2.9L	662LA	—	TT248-180	TTG20U	
Musso		07/96	01/97	6	3.2L	M104-99	—	TT248-192	TTG20U	
Musso		03/97	12/98	6	3.2L	M162-99	—	TT251-185	TTG20U	
Rexton	Y200 - RX270	03/04	03/08	5	2.7L	OM665.935, OM665.925	—	TT251-185	TTG31	
Rexton	Y200 - RX290	06/03	06/05	5	2.9L	OM662.925	—	TT248-180	TTG20U	
Rexton	Y200 - RX320	06/03	09/07	6	3.2L	M162.995	—	TT248-192	TTG20U	
Stavic	A100 - SV270, SV320	03/05	12/10	5, V6	2.7L,3.2L	OM665.926, M162.996	—	TT248-189	TTG33	
Subaru										
1400 - 1600		01/73	12/78	4	1.4L-1.6L		TT241-180	TT2041-180	TTG15	
Brumby		06/78	03/94	4	1.6L-1.8L	EA71 - EA81	TT241-180	TT2041-180	TTG15	
FF-1		01/70	12/71	4	1.1L		TT239-180		TTG3	
Fiori	KN4	03/90	12/92	4	0.7L	EN08	TT239-180		TTG3	
Forester		08/97	07/02	4	2.0L		—	TT294-170	TTG34	
Forester	2.0 GT - Turbo	09/98	05/02	4	2.0L	EJ205	—	TT294-170	TTG34	
Forester	2.0 (NZ only)	01/97	01/02	4	2.0L	EJ20	—	TT294-170	TTG49	
Forester	2.5	07/02	12/10	4	2.5L	EJ25	—	TT294-170	TTG34	
Forester	2.5 XT - Turbo	07/03	02/08	4	2.5L	EJ25,T	—	TT294-170	TTG34	
Forester	2.5 XT - Turbo	03/08	12/10	4	2.5L	EJ25DET	—	TT294-183	TTG34	
GL		06/82	08/88	4	1.8L	EA81	TT241-180	TT2041-180	TTG15	
GL		09/88	06/94	4	1.8L	EA82	TT241-180	TT2041-180	TTG9	
Impreza	1.5 (NZ only)	01/96	01/00	4	1.5L	EJ15	TT241-180	TT2041-180	TTG15	
Impreza	1.6	04/93	09/98	4	1.6L	EJ16	—	TT294-170	TTG34	
Impreza	1.8	04/93	09/96	4	1.8L	EJ18	—	TT294-170	TTG34	

Make and Model		Year		Engine			Part Number			Notes
		Start	Finish	Cyl	Size	Model	Standard Thermostat	High Flow Thermostat	Gasket	
Subaru cont.										
Impreza	2.0	05/96	08/07	4	2.0L	EJ20	—	TT294-170	TTG34	
Impreza	2.0	09/07	12/10	4	2.0L		—	TT294-190	TTG34	
Impreza	2.5 RS	10/01	09/05	4	2.5L	EJ251	—	TT294-170	TTG34	
Impreza	2.0 WRX	02/94	09/05	4	2.0L	EJ205	—	TT294-170	TTG34	
Impreza	2.5 WRX	09/05	12/10	4	2.5L	EJ25DET	—	TT294-170	TTG34	
Legacy	1.8 (NZ only)	01/89	01/94	4	1.8L	EJ18	TT241-180	TT2041-180	TTG9	
Legacy	2.0 (NZ only)	01/89	01/98	4	2.0L	EJ20	TT241-180	TT2041-180	TTG9	
Legacy	2.5 (NZ only)	01/98	01/00	4	2.5L	EJ254	—	TT294-170	TTG29U TTG49	Check illustrations for correct application
Legacy	3.0 (NZ only)	01/00	01/03	6	3.0L	EZ30D	—	TT294-170	TTG49	
Leone	1.6	10/79	01/80	4	1.6L	EA71	TT241-180	TT2041-180	TTG15	
Leone	1.8	11/79	07/88	4	1.8L	EA81	TT241-180	TT2041-180	TTG15	
Leone	1.8	12/84	12/95	4	1.8L	EA82	TT241-180	TT2041-180	TTG9	
Leone	1.8 - Turbo	08/87	06/88	4	1.8L	EA82T	TT241-180	TT2041-180	TTG9	
Liberty	2.0 RS - Turbo	10/91	06/94	4	2.0L	EJ20	—	TT294-170	TTG34	
Liberty	2.0	03/99	07/05	4	2.0L		—	TT294-170	TTG34	
Liberty	2.0	07/05	07/07	4	2.0L		—	TT294-170	TTG34	
Liberty	2.0 B4 - Twin Turbo	08/01	08/03	4	2.0L	EJ206	—	TT294-170	TTG34	
Liberty	2.0 GT - Turbo	09/03	07/06	4	2.0L	EJ20X	—	TT294-170	TTG34	
Liberty	2.2	10/89	03/99	4	2.2L	EJ22	—	TT294-170	TTG34	
Liberty	2.5	11/96	03/99	4	2.5L		—	TT294-170	TTG34	
Liberty	2.5	03/99	09/09	4	2.5L		—	TT294-170	TTG34	
Liberty	2.5	09/09	12/10	4	2.5L		—	TT294-190	TTG34	
Liberty	2.5 GT-B Turbo	03/99	09/09	4	2.5L		—	TT294-170	TTG34	
Liberty	3.0	08/04	09/09	6	3.0L		—	TT294-170	TTG34	
Outback	2.5	09/96	10/98	4	2.5L	EJ25	—	TT294-170	TTG34	
Outback	2.5	10/98	08/09	4	2.5L	EJ25	—	TT294-170	TTG34	
Outback	3.0	10/00	09/08	6	3.0L		—	TT294-170	TTG34	
Outback	3.6R	09/09	12/10	6	3.6L		—	TT294-170	TTG34	
RX	Turbo - 4WD	11/85	08/87	4	1.8L	EA82T	TT241-185	TT2041-185	TTG9	
Sherpa	KM3, KN3	10/82	10/89	2	0.6L	EK42	TT239-180		TTG9	
SVX	CX	03/92	04/97	6	3.3L	EG33	—	TT294-170	TTG34	
Tribeca	3.0R	11/06	11/07	6	3.0L	EZ30	—	TT294-170		
Tribeca	3.6R	12/07	12/10	6	3.6L		—	TT294-170		
Vortex		09/85	09/89	4	1.8L	EA82	TT241-180	TT2041-180	TTG9	
Suzuki										
Alto	SB	09/85	02/89	3	0.5L-0.8L		TT239-180		TTG20U	
Alto	SH	03/96	04/98	4	1.0L	G10B	TT239-180		TTG15	
APV	GD	08/05	12/10	4	1.6L	G16A	TT239-180			
Baleno		04/95	11/01	4	1.6L	G16B	TT239-192		TTG20U	
Baleno		03/96	11/01	4	1.8L	J18A	—	TT374-180	INC	
Carry	ST	02/77	12/78	3	0.5L	F5	TT239-180		TTG3	
Carry	ST	01/73	10/79	4	0.8L	F8A	TT239-180		TTG3	
Carry	ST	10/79	07/85	4	0.8L	F8A	TT240-180	TT2040-180	TTG3 TTG19	Check illustrations for correct application
Carry	DA - GA	06/99	08/05	4	1.3L	G13BB	TT239-180			
Cino	SY	05/94	12/99	4	1.3L	G13B	TT239-192		TTG26	
Escudo	(NZ Only)	01/88	01/97	4	1.6L	G16A	—	TT445-192	INC	
Escudo	(NZ Only)	01/94	01/97	V6	2.0L	H20A	—	TT445-192	INC	
Grand Vitara	SQ	10/99	03/02	4	1.6L	H16A	—	TT445-192	INC	
Grand Vitara	JB	09/05	07/08	4	2.0L	J20A	—	TT374-180	INC	
Grand Vitara	JT	09/05	07/08	4	1.6L	M16A	—	TT445-180	INC	
Grand Vitara	JT	08/08	12/10	4	2.4L		—	TT445-192	INC	
Grand Vitara	SQ	04/98	08/05	V6	2.5L	H25A	—	TT444-180	INC	
Grand Vitara	SQ	09/05	07/08	V6	2.7L	H27A	—	TT445-180	INC	
Grand Vitara	JT (Diesel)	08/08	12/10	4	1.9L		TT515-192		INC	
Hatch	SS	02/80	01/85	3	0.5L-0.8L		TT239-180		TTG3	
Ignis	RG413	01/00	10/00	4	1.3L	M13A	—	TT374-180	INC	
Ignis	RG415	09/00	02/05	4	1.5L	M15A	—	TT374-180	INC	
Jimny	SN	10/98	09/02	4	1.3L	G13BB	TT239-192		TTG19 TTG20U TTG26	Check illustrations for correct application
Jimny	SN	09/00	09/05	4	1.3L	M13A	—	TT374-180	INC	

Vehicle Application List

Make and Model		Year		Engine			Part Number			Notes
		Start	Finish	Cyl	Size	Model	Standard Thermostat	High Flow Thermostat	Gasket	
Suzuki cont.										
Jimny	SN	10/05	12/10	4	1.3L	M13A+VVT	—	TT445-180	INC	
Kizashi		05/10	12/10	4	2.4L		—	TT445-192	INC	
Liana	RH	11/01	03/04	4	1.6L	M16A	—	TT374-180	INC	
Liana	RH	03/04	08/07	4	1.8L	M18A	—	TT374-180	INC	
LJ50		07/74	06/78	3	0.5L		TT239-180		TTG3	
LJ80 - LJ81		11/77	12/81	4	0.8L	F8A	TT240-180	TT2040-180	TTG19	
Mighty Boy	SS	07/85	10/88	3	0.5L	F5A	TT239-180		TTG3	
Sierra	SJ	07/81	06/87	4	1.0L	F10A	TT240-192	TT2040-192	TTG19	
Sierra	MG	03/90	12/96	4	1.0L	F10A	TT240-180	TT2040-180	TTG20U	
Sierra	SJ	10/84	12/90	4	1.3L	G13A	TT240-192	TT2040-192	TTG20U	
Sierra	SJ	03/90	12/98	4	1.3L	G13BA	TT240-180	TT2040-180	TTG20U	
Super Carry	SK	07/85	12/90	4	1.0L	F10A	TT240-192	TT2040-192		
Swift	SA - SF	03/84	12/96	3	1.0L	G10A	TT239-180		TTG20U	
Swift	SA	01/85	03/87	4	1.3L	G13A	TT239-180		TTG20U	
Swift	SA - EFI	10/86	12/88	4	1.3L	G13B	TT239-180		TTG3	
Swift	SF	01/89	12/98	4	1.3L	G13B	TT239-180		TTG15	
Swift	SF	12/90	06/00	4	1.3L	G13BA	TT239-180		TTG15	
Swift	EZ	02/05	12/10	4	1.5L	M15A+VVT	—	TT445-180	INC	
Swift	SF	10/89	04/95	4	1.6L	G16B	TT239-192		TTG15	
Swift	SF - 4WD	01/90	01/92	4	1.6L	G16B	TT239-180		TTG15	
Swift	EZ	10/06	12/10	4	1.6L	M16A	—	TT445-180	INC	
SX4	GY	02/07	12/10	4	2.0L	J20A	—	TT445-180	INC	
Vitara	SE	07/88	12/94	4	1.6L	G16A	TT240-180	TT2040-180	TTG15	
Vitara	SE - EFI	08/91	05/99	4	1.6L	G16B	TT240-180 TT244-192	TT2040-180 —	TTG20U TTG20U	Check original thermostat temperature for correct application
Vitara	SE - SV	05/97	11/01	4	2.0L	J20A	—	TT374-180	INC	
Vitara	SV (V6)	04/95	12/98	V6	2.0L	H20A	—	TT374-180	INC	
X90	SZ	04/96	05/98	4	1.6L	G16B	TT240-180 TT244-192	TT2040-180 —	TTG20U TTG20U	Check original thermostat temperature for correct application
XL7	JA	07/01	01/06	V6	2.7L	H27A	—	TT444-180	INC	
Toyota										
4 Runner	YN60	07/84	10/85	4	2.0L	3Y-C	TT214-180	TT2014-180	TTG47	
4 Runner	YN63	11/85	09/89	4	2.2L	4Y	TT214-180	TT2014-180	TTG47	
4 Runner	YN63	05/89	09/89	4	2.4L	22R	TT240-192	TT2040-192	TTG34	
4 Runner	RN130(R)	05/89	06/96	4	2.4L	22R	TT242-192		TTG20U TTG34	Check illustrations for correct application
4 Runner	YN130	10/89	12/90	4	2.2L	4Y-E	TT214-180	TT2014-180	TTG47	
4 Runner	VZN130	10/90	06/96	V6	3.0L	3VZ-E	TT242-180	TT2042-180	TTG34	
4 Runner (Diesel)	LN60, LN61	07/84	01/89	4	2.4L	2L	TT322-192	TT2322-192	TTG20U TTG29U	Check illustrations for correct application
4 Runner (Diesel)	LN61	05/89	09/89	4	2.8L	3L	TT322-192	TT2322-192	TTG11	
4 Runner (Diesel)	LN130R	10/89	05/95	4	2.8L	3L	TT322-192	TT2322-192	TTG29U TTG34 TTG11	Check illustrations for correct application
4 Runner (Diesel)	LN130R	05/95	06/96	4	2.8L	3L	TT363-180		TTG29U TTG34 TTG11	Check illustrations for correct application
Altezza	SXE10 (NZ only)	01/98	01/04	4	2.0L	3SGE	—	TT334-180	TTG20U	
Altezza	GXE10 (NZ only)	01/98	01/04	6	2.0L	1GFE	TT322-180	TT2322-180	TTG34	
Aurion	GSV40(R) - Inc. TRD	10/06	12/10	V6	3.5L	2GR-FE	—	TT281-180	TTG34	
Avalon	MCX10R	07/00	05/06	V6	3.0L	1MZ-FE	—	TT296-180	TTG34	
Avensis	ACM20R	01/01	11/03	4	2.0L	1AZ-FE	—	TT281-180	TTG34	
Avensis	AZT250	01/03	12/10	4	2.0L	1AZFSE	—	TT281-180	TTG69	
Avensis	ACM21R	10/03	09/04	4	2.4L	2AZ-FE	—	TT281-180	TTG34	
Avensis	ACM21R	09/04	10/05	4	2.4L	2AZ-FE	—	TT296-180	TTG34	
Avensis	ACM21R	10/05	12/10	4	2.4L	2AZ-FE	—	TT281-180	TTG34	
Blizzard	LD10 - Diesel	03/82	12/83	4	2.2L		TT322-180 TT322-192	TT2322-180 TT2322-192	TTG4 TTG4	Check illustrations for correct application
Bundera	RJ70	11/84	01/87	4	2.4L	22R	TT240-192	TT2040-192	TTG34	
Bundera	RJ70	01/87	12/91	4	2.4L	22R	TT242-192		TTG34	
Bundera	LJ70 - Turbo Diesel	01/86	12/91	4	2.4L	2L-T	TT322-192	TT2322-192	TTG34	
Caldina	ST191, ST195 (NZ only)	01/92	01/98	4	2.0L	3SFE	TT214-180	TT2014-180	TTG4 TTG47	Check illustrations for correct application
Caldina	AT191 (NZ only)	01/96	01/97	4	1.8L	7AFE	TT214-180	TT2014-180	TTG47	

Make and Model		Year		Engine			Part Number			Notes
		Start	Finish	Cyl	Size	Model	Standard Thermostat	High Flow Thermostat	Gasket	
Toyota cont.										
Caldina	AT211 (NZ only)	01/97	01/02	4	1.8L	7AFE	TT214-180	TT2014-180	TTG47	
Caldina	ST210 (NZ only)	01/97	01/02	4	2.0L	3SFE	TT214-180	TT2014-180	TTG4 TTG47	Check illustrations for correct application
Caldina	ST215 - Turbo	01/97	01/02	4	2.0L	3SGTE	—	TT281-180	TTG69	
Camry	SV11	04/83	04/87	4	2.0L	2S-EC	TT214-180	TT2014-180	TTG4 TTG47	Check illustrations for correct application
Camry	SV20	05/87	08/89	4	1.8L	1S-E	TT214-180	TT2014-180	TTG4 TTG47	Check illustrations for correct application
Camry	SV21	05/87	02/93	4	2.0L	3S-FE	TT214-180	TT2014-180	TTG4 TTG47	Check illustrations for correct application
Camry	SV22	09/89	06/91	4	2.0L	3S-FC	TT214-180	TT2014-180	TTG4 TTG47	Check illustrations for correct application
Camry	SV30	01/90	01/94	4	1.8L	4SFE	TT214-180	TT2014-180	TTG4 TTG47	Check illustrations for correct application
Camry	SDV10	02/93	04/95	4	2.2L	5S-FE	TT214-180	TT2014-180	TTG4 TTG47	Check illustrations for correct application
Camry	SV40	01/94	01/98	4	1.8L	4SFE	TT214-180	TT2014-180	TTG4 TTG47	Check illustrations for correct application
Camry	SXV10	04/95	08/97	4	2.2L	5S-FE	TT214-180	TT2014-180	TTG47	
Camry	SXV20R	08/97	08/02	4	2.2L	5S-FE	TT214-180	TT2014-180	TTG47	
Camry	ACV36R	09/02	10/05	4	2.4L	2AZ-FE	—	TT296-180	TTG34	
Camry	ACV36R	10/05	06/06	4	2.4L	2AZ-FE	—	TT281-180	TTG34	
Camry	ACV40R	06/06	12/10	4	2.4L	2AZ-FE	—	TT281-180	TTG34	
Camry - V6	VZV20	06/88	02/93	V6	2.5L	2VZ-FE	—	TT281-180	TTG34	
Camry - V6	VZV21	06/88	02/93	V6	2.5L	2VZ-FE	—	TT281-180	TTG34	
Camry - V6	VDV10(R)	02/93	08/95	V6	3.0L	3VZ-FE	—	TT281-180	TTG15	
Camry - V6	VCV10(R) - Vienta	08/95	08/97	V6	3.0L	3VZ-FE	—	TT281-180	TTG34	
Camry - V6	MCV20R	08/97	08/02	V6	3.0L	1MZ-FE	—	TT281-180	TTG34	
Camry - V6	MCV36R	09/02	06/06	V6	3.0L	1MZ-FE	—	TT296-180	TTG34	
Carib	AE111, AE115 (NZ only)	01/95	01/01	4	1.6L, 1.8L	4AFE, 7AFE	TT214-180	TT2014-180	TTG47	
Cavalier	TJG (NZ only)	01/95	01/00	4	2.4L	T2	TT203-180	TT2003-180	TTG11 TTG46	Check illustrations for correct application
Celica	TA22, 23	11/71	05/76	4	1.6L	2T	TT240-192	TT2040-192	TTG4	
Celica	RA23, 28	06/76	10/77	4	2.0L	18R	TT240-192	TT2040-192	TTG4	
Celica	RA40R	11/77	10/81	4	2.0L	18R-C	TT240-180	TT2040-180	TTG4	
Celica	RA60R	11/81	08/82	4	2.0L	21R-C	TT240-180	TT2040-180	TTG4 TTG34	Check illustrations for correct application
Celica	RA60R	08/82	09/83	4	2.0L	21R-C	TT240-192	TT2040-192	TTG4 TTG34	Check illustrations for correct application
Celica	SA63	10/83	09/84	4	2.0L	2S-C	TT214-180	TT2014-180	TTG47	
Celica	RA65R	10/84	12/85	4	2.4L	22R-EC	TT240-192	TT2040-192	TTG34	
Celica	ST162R	10/85	10/89	4	2.0L	3S-FE, 3S-GE	TT214-180	TT2014-180	TTG47	
Celica	ST182, ST18(C)	09/89	09/93	4	2.0L	3S-FE, GE	TT214-180 TT281-180	TT2014-180 TT281-180	TTG34 TTG47	Check illustrations for correct application
Celica	ST184R	11/89	03/94	4	2.2L	5S-FE	—	TT281-180	TTG34	
Celica	ST185(R)	09/89	09/93	4	2.0L	3S-GTE	—	TT281-180	TTG34	
Celica	ST202	09/93	08/99	4	2.0L	3S-FE	TT214-180	TT2014-180	TTG47	
Celica	ST202	09/93	08/99	4	2.0L	3S-GE	—	TT334-180	TTG45	
Celica	ST203	09/93	08/99	4	2.0L	3S-FE	TT214-180	TT2014-180	TTG47	
Celica	ST204R	03/94	11/99	4	2.2L	5S-FE	—	TT281-180	TTG34	
Celica	ST205(R)	09/93	08/99	4	2.0L	3S-GTE	—	TT334-180	TTG45	
Celica	ZZT230	08/99	07/00	4	1.8L	1ZZ-FE	—	TT281-180	TTG34	
Celica	ZZT230	07/00	10/02	4	1.8L	1ZZ-FE	—	TT281-170	TTG34	
Celica	ZZT230	08/02	10/02	4	1.8L	1ZZ-FE	—	TT296-180	TTG34	
Celica	ZZT231	11/99	09/04	4	1.8L	2ZZ-GE	—	TT281-180	TTG34	
Celica	ZZT231	09/04	03/06	4	1.8L	2ZZ-GE	—	TT296-180	TTG34	
Chaser/Cresta	LX70(Y) - Diesel	08/84	08/88			2L, T	TT240-192	TT2040-192	TTG11	
Chaser/Cresta	GX71	08/84	08/88	6	2.0L	1G-EU	TT214-180	TT2014-180	TTG47	
Chaser/Cresta	GX71	08/84	08/88	6	2.0L	1G-G	TT214-192	TT2014-192	TTG47	
Chaser/Cresta	MX71	08/84	10/85	6	2.0L	M-TEU	TT240-180	TT2040-180	TTG4	
Coaster	RU18, 19	01/68	12/77	4	2.0L	5R	TT240-180	TT2040-180	TTG4	
Coaster	BU, BB - Diesel	01/74	07/82	4	3.0L, 3.2L	2B, B	—	TT286-180P	TTG29U	
Coaster	RB11, 13, 20	01/78	06/92	4	2.2L, 2.4L	20R, 22R	TT240-180	TT2040-180	TTG4	
Coaster	BB20, 21, 40 - Diesel	01/84	07/99	4	3.4L	3B	—	TT286-180P	TTG29U	
Coaster	HB30 - Diesel	01/87	12/90	6	4.0L	2H	—	TT286-180P	TTG20U	

Vehicle Application List

Make and Model		Year		Engine			Part Number			Notes
		Start	Finish	Cyl	Size	Model	Standard Thermostat	High Flow Thermostat	Gasket	
Toyota cont.										
Coaster	HZB30, 50 - Diesel	01/90	12/10	6	4.2L	1HZ	—	TT334-170	TTG45	Check illustrations to ensure correct application
Coaster	BB50 - Diesel	12/05	09/06	4	4.1L	15B-FTE	—	TT286-192P	TTG29U	
Corolla	KE(10-70R)	01/66	04/85	4	1.1L-1.3L	3K-C,4K-C	TT240-180	TT2040-180	TTG42	
Corolla	AE71, 86	01/83	01/86	4	1.6L	4A-C	TT214-180	TT2014-180	TTG42	
Corolla	AE80	04/85	05/89	4	1.3L	2A-C	TT214-180	TT2014-180	TTG47	
Corolla	AE82	04/85	07/95	4	1.6L	4A-GE,LC	TT214-180	TT2014-180	TTG47	
Corolla	AE90	07/89	12/94	4	1.4L	6A-FC	TT214-180	TT2014-180	TTG47	
Corolla	AE91	01/87	01/00	4	1.5L	5A-FE	TT214-180	TT2014-180	TTG47	
Corolla	AE92(R)	09/86	12/94	4	1.6L	4A-FC,FE,GE	TT214-180	TT2014-180	TTG47	
Corolla	AE93	11/92	09/94	4	1.8L	7A-FE	TT214-180	TT2014-180	TTG47	
Corolla	AE95R	09/86	07/95	4	1.6L	4A-FE,GE	TT214-180	TT2014-180	TTG47	
Corolla	AE100	01/87	01/00	4	1.5L	5A-FE	TT214-180	TT2014-180	TTG47	
Corolla	AE101R	09/91	12/98	4	1.6L	4A-FE	TT214-180	TT2014-180	TTG47	
Corolla	AE102(R, X)	09/94	12/98	4	1.8L	7A-FE	TT214-180	TT2014-180	TTG47	
Corolla	AE110	01/87	01/00	4	1.5L	5A-FE	TT214-180	TT2014-180	TTG47	
Corolla	AE111	01/95	01/01	4	1.6L	4A-FE	TT214-180	TT2014-180	TTG47	
Corolla	AE112	01/97	01/02	4	1.8L	7A-FE	TT214-180	TT2014-180	TTG47	
Corolla	EE90, 100	01/88	01/97	4	1.3L	2E,L	TT214-180	TT2014-180	TTG47	
Corolla li	EL51	01/94	01/99	4	1.3L	4EFE	TT214-180	TT2014-180	TTG47	
Corolla	ZRE152R	05/07	12/10	4	1.8L	2ZR-FE	—	TT296-180	TTG34	
Corolla	ZZE122R	12/01	04/07	4	1.8L	1ZZ-FE	—	TT296-180	TTG34	
Corolla	ZZE123	05/03	04/06	4	1.8L	2ZZ-GE	—	TT296-180	TTG34	
Corona	1600S	01/66	12/68	4	1.6L	4R	TT240-180	TT2040-180	TTG4	
Corona	AT211	01/96	01/01	4	1.8L	7AFE	TT214-180	TT2014-180	TTG47	
Corona	MX10	07/72	10/74	6	2.0L	M	TT1-192	TT2000-192	TTG4	
Corona	MX13	11/74	12/77	6	2.6L	4M	TT6-180	TT2001-180	TTG4	
Corona	MX22	07/72	10/74	6	2.3L	2M	TT6-180	TT2001-180	TTG4	
Corona	MX23	11/74	12/77	6	2.6L	4M	TT6-180	TT2001-180	TTG4	
Corona	RT40, 80	01/64	12/71	4	1.5L	2R	TT240-180	TT2040-180	TTG4	
Corona	RT72	01/69	12/72	4	1.9L	8R	TT240-180	TT2040-180	TTG4	
Corona	RT81	01/71	12/74	4	1.6L	12R	TT240-180	TT2040-180	TTG4	
Corona	RT104	03/74	09/79	4	2.0L	18R-C	TT240-180	TT2040-180	TTG4	
Corona	RT118	08/77	09/79	4	2.0L	18R-C	TT240-180	TT2040-180	TTG4	
Corona	RT132	10/79	12/82	4	2.0L	18R-C	TT240-180	TT2040-180	TTG4	
Corona	RT133	01/82	12/83	4	2.0L	21R-C	TT240-192	TT2040-192	TTG34	
Corona	RT142	11/84	04/87	4	2.4L	22R-E	TT240-192	TT2040-192	TTG11 TTG34	Check illustrations for correct application
Corona	ST141	08/83	04/87	4	2.0L	2S-C	TT214-180	TT2014-180	TTG47	
Corona Avante	ST141	11/84	04/87	4	2.0L	2S-C	TT214-192	TT2014-192	TTG47	
Corona	ST190	01/92	01/96	4	1.8L	4SFE	TT214-180	TT2014-180	TTG4 TTG47	Check illustrations for correct application
Corona	XT130	10/79	07/83	4	1.9L	Starfire	TT1-190	TT2000-190	TTG5 TTG7	
Cressida	MX32	03/77	12/81	6	2.6L	4M	TT240-180	TT2040-180	TTG4	
Cressida	MX36	03/77	12/81	6	2.6L	4M	TT240-180	TT2040-180	TTG4	
Cressida	MX62R	02/81	08/83	6	2.8L	5M-E	TT240-180	TT2040-180	TTG4	
Cressida	MX62R	08/83	12/84	6	2.8L	5M-E	TT240-192	TT2040-192	TTG4	
Cressida	MX73R	11/84	12/88	6	2.8L	5M-GE,E	TT240-192	TT2040-192	TTG4	
Cressida	MX83R	10/88	01/93	6	3.0L	7M-GE	TT242-192		TTG34	
Crown	RS40, 46	10/63	12/66	4	1.9L	3R	TT240-180	TT2040-180	TTG4	
Crown	RS56	01/68	12/71	4	2.0L	5R	TT240-180	TT2040-180	TTG9	
Crown	MS41, 47	01/66	12/69	6	2.0L	M	TT240-180	TT2040-180	TTG4	
Crown	MS53, 55, 57	02/67	12/71	6	2.3L	2M	TT240-180	TT2040-180	TTG4	
Crown	MS65	01/71	12/76	6	2.6L	4M	TT6-180	TT2001-180	TTG9	
Crown	MS83, 85, 111	01/71	01/80	6	2.6L	4M	TT240-180	TT2040-180	TTG4	
Crown	MS112	10/80	09/83	6	2.8L	5M-E	TT240-180 TT240-192	TT2040-180 TT2040-192	TTG4 TTG4	Check original thermostat temperature for correct application
Crown	MS123	10/83	11/85	6	2.8L	5M-E	TT240-180	TT2040-180	TTG20U	
Crown	MS125	12/85	05/88	6	3.0L	6M-GE	TT240-192	TT2040-192	TTG4	
Cynos	EL52 (NZ only)	01/95	01/99	4	1.3L	4EFE	TT214-180	TT2014-180	TTG4 TTG47	Check illustrations for correct application
Dyna	HU15,30 - Diesel	01/69	12/81	6	3.6L	H	—	TT286-180P	TTG29U	

Make and Model		Year		Engine			Part Number			Notes
		Start	Finish	Cyl	Size	Model	Standard Thermostat	High Flow Thermostat	Gasket	
Toyota cont.										
Dyna	RU10 - 30	01/69	01/84	4	2.0L	5R	TT240-180	TT2040-180	TTG9	
Dyna	BU20 - Diesel	08/77	12/84	4	3.0L	B	—	TT286-180P	TTG29U	
Dyna	DA115 - Diesel	01/75	01/90	6	6.5L	2D	—	TT245-180P	INC	
Dyna	BU32, 36 - Diesel	06/81	12/84	4	3.4L	3B	—	TT286-180P	TTG29U	
Dyna	HU40 - Diesel	07/83	12/84	6	4.0L	2H	—	TT286-180P	TTG20U	
Dyna 100	LH80 - Diesel	11/85	04/91	4	2.4L	2L	TT322-192	TT2322-192	TTG11	Check illustrations for correct application
Dyna 100	YH81R	11/85	12/91	4	1.8L	2Y-C	TT214-180	TT2014-180	TTG9	
Dyna 100	YY100	12/94	08/01	4	1.8L	2Y	TT214-180	TT2014-180	TTG47	
Dyna 100	YY100R - Diesel	07/95	09/01	4	3.0L	5L	TT322-192	TT2322-192	TTG11	Check illustrations for correct application
Dyna 100	LY220 - Diesel	08/01	06/05	4	3.0L	5L	TT322-192	TT2322-192		
Dyna 150	LY60 - Diesel	11/85	09/88	4	2.4L	2L	TT322-192	TT2322-192	TTG11	
Dyna 150	LY61 - Diesel	10/88	06/95	4	2.4L	2L	TT242-180	TT2042-180	TTG11 TTG20U	Check illustrations for correct application
Dyna 150	LY61 - Diesel	10/88	06/95	4	2.8L	3L	TT322-192	TT2322-192	TTG11 TTG20U	Check illustrations for correct application
Dyna 150	LY211(R) - Diesel	07/95	09/01	4	2.8L,3.0L	3L,5L	TT322-192	TT2322-192	TTG11	Check illustrations for correct application
Dyna 150	LY230R-TBMGSQ3 Diesel	08/01	06/05	4	3.0L	5L	TT322-192	TT2322-192	TTG11	
Dyna 200	BU60-66 Diesel	01/84	12/95	4	3.0L, 3.7L	B	—	TT286-180P	TTG29U	
Dyna 200	BU100(R), BU110 Diesel	01/95	05/03	4	3.4L	3B	—	TT286-180P	TTG29U	
Dyna 200	BU142, BU212, BU300 Diesel Inc. Turbo	07/95	01/04	4	4.1L	15B	—	TT286-180P	TTG29U	
Dyna 200	YU60	11/84	10/86	4	2.0L	3Y-C	TT214-180	TT2014-180	TTG47	
Dyna 200	YU62	11/86	12/91	4	2.2L	4Y-C	TT214-180	TT2014-180	TTG9	
Dyna 300	BU85 - BU212 - Diesel	11/84	06/03	4	3.4L-4.1L	13B - 15B	—	TT286-180P	TTG29U	
Dyna 400	BU, WU - Diesel	11/84	06/03	4	4.0L,4.1L		—	TT286-180P	TTG29U	
Echo	NCP10R	10/99	02/03	4	1.3L	2NZ-FE	—	TT296-180	TTG34	
Echo	NCP12R	10/99	10/02	4	1.5L	1NZ-FE	—	TT296-180	TTG34	
Echo	NCP13R	03/01	10/05	4	1.5L	1NZ-FE	—	TT296-180	TTG34	
Estima	TCR(10W - 21W)	02/93	12/99	4	2.4L	2TZ	—	TT298-180	TTG34	
Estima	CXR10 - Turbo Diesel	01/92	01/99	4	2.2L	3CT	TT214-180	TT2014-180	TTG47	
Estima	MCR(30W, 40W)	12/99	12/04	V6	3.0L	1MZ-FE	—	TT281-180	TTG34	
Estima	ACR(30, 40)	01/00	12/10	4	2.4L	2AZ-FE	—	TT281-180	TTG69	
Estima	ACR(30W, 40W)	02/00	12/04	4	2.4L	2AZ-FE	—	TT281-180	TTG34	
Estima Emina, Lucida	CXR(10G - 21G) Turbo Diesel	01/92	12/99	4	2.2L	3C-T,E	TT214-180	TT2014-180	TTG47	
Estima Emina, Lucida	TCR(10G - 21G)	01/92	12/99	4	2.4L	2TZ-FE	—	TT298-180	TTG34	
Hiace	RH10 - RH16	01/67	12/85	4	1.5L,1.6L	2R,12R	TT240-180	TT2040-180	TTG9	
Hiace	RH20 - RH42	01/76	12/83	4	1.6L,2.0L	12R,18R-C	TT240-192	TT2040-192	TTG9	
Hiace	YH50 - YH73	01/82	09/89	4	1.8L-2.2L	2Y-C - 4Y-C	TT214-180	TT2014-180	TTG20U TTG47	Check illustrations for correct application
Hiace	RZH102 (NZ only)	01/89	01/01	4	2.0L	1RZ	—	TT298-180	TTG25 TTG49	Check illustrations for correct application
Hiace	RZH103 - RZH125R	10/89	03/05	4	2.4L	2RZ	—	TT298-180	TTG34	
Hiace	RCH12R - RCH22	10/95	02/05	4	2.4L	2RZ-E	—	TT298-180	TTG34	
Hiace	TRH201R - TRH223R	03/05	12/10	4	2.7L	2TR-FE	—	TT296-180	TTG34	
Hiace (Diesel)	LH20 - LH71	03/81	09/89	4	2.2L,2.4L	L,2L	TT322-192	TT2322-192	TTG11 TTG20U	Check illustrations for correct application
Hiace (Diesel)	LH103 - LH125R	10/89	12/06	4	2.8L	3L	TT322-192	TT2322-192	TTG11 TTG20U TTG34	Check illustrations for correct application
Hiace (Diesel)	LH162R	10/00	10/01	4	3.0L	5L	TT322-192	TT2322-192	TTG34	
Hiace (Diesel)	LH172	01/00	01/05	4	3.0L	5L	TT322-180	TT2322-180	TTG11	
Hiace (Diesel)	LH172R	07/99	03/07	4	3.0L	5L	TT322-192	TT2322-192	TTG11	
Hiace (Diesel)	LH184R	10/00	04/01	4	3.0L	5L	TT322-192	TT2322-192	TTG34	
Hiace (Diesel)	LH184R	04/01	02/05	4	3.0L	5L	TT363-180		TTG34	
Hiace (Diesel)	KZH100 (NZ only)	01/93	01/02	4	3.0L	1KZTE	TT322-180 TT322-192	TT2322-180 TT2322-192	TTG11 TTG11	Check illustrations for correct application
Hiace (Diesel)	KDH200R - KDH222R Turbo Diesel	03/05	10/06	4	2.5L	2KD-FTV	—	TT410-180		
Hiace (Diesel)	KDH200R - KDH222R Turbo Diesel	01/06	12/10	4	3.0L	1KD-FTV	—	TT410-180		

Vehicle Application List

Make and Model		Year		Engine			Part Number			Notes
		Start	Finish	Cyl	Size	Model	Standard Thermostat	High Flow Thermostat	Gasket	
Toyota cont.										
Hilux	RN10 - RN46	01/61	10/83	4	1.5L-2.0L	2R - 18R	TT240-180	TT2040-180	TTG9	
Hilux	RN85 - RN106R	10/88	01/98	4	2.4L	22R	TT240-192	TT2040-192	TTG11 TTG34	Check illustrations for correct application
Hilux	YN55 - YN85R	11/83	11/97	4	1.6L-2.2L	1Y-C - 4Y-C	TT214-180	TT2014-180	TTG47	Check illustrations for correct application
Hilux	RZN147R - RZN174R	08/97	09/04	4	2.0L,2.7L	1RZ-E,3RZ-FE	—	TT298-180	TTG34	
Hilux	VZN130	01/90	01/96	V6	3.0L	3VZE	TT242-180	TT2042-180		
Hilux	VZN167R, VZN172R	09/02	04/05	V6	3.4L	5VZ-FE	—	TT281-180	TTG34	
Hilux	TGN16R	03/05	12/10	4	2.7L	2TR-FE	—	TT296-180	TTG34	
Hilux	GGN (15R, 25R)	03/05	12/10	V6	4.0L	1GR-FE	TT659-180		INC	
Hilux (Diesel)	LN30 - LN86R - Diesel	10/78	01/98	4	2.2L-2.8L	L,2L,3L	TT322-192	TT2322-192	TTG9 TTG11	Check illustrations for correct application
Hilux (Diesel)	LN106 - LN147R	10/88	04/05	4	2.4L-3.0L	2LT,E,3L,5L,E	TT322-192	TT2322-192	TTG11 TTG34	Check illustrations for correct application
Hilux (Diesel)	LN167R - Diesel	11/97	04/05	4	3.0L	5L,E	TT322-192	TT2322-192	TTG11 TTG34	Check illustrations for correct application
Hilux (Diesel)	LN172R - Diesel	01/98	09/01	4	3.0L	5L	TT322-192	TT2322-192	TTG11 TTG34	Check illustrations for correct application
Hilux (Diesel)	LN172R - Diesel	09/01	04/05	4	3.0L	5L	TT363-180		TTG11 TTG34	Check illustrations for correct application
Hilux (Diesel)	KZN(165R-185) Turbo Diesel	01/95	04/05	4	3.0L	1KZ-TE	—	TT410-180		
Hilux (Diesel)	KUN(16R-26R) Inc. Turbo	03/05	12/10	4	3.0L	1KD-FTV	—	TT410-180		
Hilux Surf	YN130G	04/89	08/91	4	2.2L	4Y-E	TT214-180	TT2014-180	TTG47	
Hilux Surf	VZN130G	08/90	11/95	V6	3.0L	3VZ-E	TT242-180	TT2042-180		
Hilux Surf	VZN(180W-215W)	11/95	12/10	V6	3.4L	5VZ-FE	—	TT281-180	TTG34	
Hilux Surf	YX78V	02/93	06/03	4	2.0L	3Y-E	TT214-180	TT2014-180	TTG47	
Hilux Surf	RZN(180W-215W)	11/95	12/10	4	2.7L	3RZ-FE	—	TT298-180	TTG34	
Hilux Surf (Diesel)	LN130(G, W) Inc. Turbo	04/89	08/91	4	2.4L	2L-T,E	TT322-192	TT2322-192	TTG34	
Hilux Surf (Diesel)	LN130(G, W) Inc. Turbo	08/91	03/93	4	2.4L	2L-T,E	TT240-192	TT2040-192	TTG34	
Hilux Surf (Diesel)	LN130(G, W) Inc. Turbo	03/93	08/93	4	2.4L	2L-T,E	TT322-192	TT2322-192	TTG34	
Hilux Surf (Diesel)	LN131V	03/93	08/93	4	2.8L	3L	TT322-192	TT2322-192	TTG1U	
Hilux Surf (Diesel)	KZN130(G,W)-185(G,W) Turbo Diesel	01/93	12/10	4	3.0L	1KZ-TE	—	TT410-180		
Hilux Surf (Diesel)	KDN(185G-215W) Inc. Turbo	08/00	12/10	4	3.0L	1KD-FTV	—	TT410-180		
Kluger	MCU28R	10/03	07/07	V6	3.3L	3MZ-FE	—	TT281-180	TTG34	
Kluger	GSU(40R-45R)	08/07	12/10	V6	3.5L	2GR-FE	—	TT281-180	TTG34	
Landcruiser	FJ40 - FJ75	01/70	10/92	6	3.9L-4.2L		—	TT245-180P	INC	
Landcruiser	FJ80	03/90	10/92	6	4.0L	3F-E	—	TT245-192P	INC	
Landcruiser	FJ80R	03/90	10/92	6	4.0L	3F	—	TT245-180P	INC	
Landcruiser	FZJ79 - FZJ105R	11/92	10/01	6	4.5L	1FZ-FE	—	TT334-180	TTG45	
Landcruiser	FZJ79R	11/01	02/07	6	4.5L	1FZ-FE	—	TT534-180	INC	
Landcruiser	UZJ100R, UZJ200R	06/98	12/10	V8	4.7L	2UZ-FE	—	TT334-180	TTG45	
Landcruiser (Diesel)	HJ45-HJ75 Inc. Turbo	09/77	12/91	6	3.6L,4.0L		—	TT286-180P	TTG20U TTG29U	Check illustrations for correct application
Landcruiser (Diesel)		12/77	09/80	4	3.0L	B	—	TT286-180P	TTG29U	
Landcruiser (Diesel)	BJ42 - BJ73	10/80	03/90	4	3.4L	3B	—	TT286-180P	TTG29U	
Landcruiser (Diesel)	BJ74 - Turbo Diesel	03/86	12/89	4	3.4L	13B-T	—	TT286-192P	TTG29U	
Landcruiser (Diesel)	HDJ78R - HDJ100R Inc. Turbo	01/90	10/07	6	4.2L	1HD	—	TT334-170	TTG45	
Landcruiser (Diesel)	HZJ73 - HZJ105R Inc. Turbo	01/90	10/07	6	4.2L	1HDFTE,1HZ	—	TT334-170	TTG45	
Landcruiser (Diesel)	PZJ70, PZJ73	03/90	02/91	5	3.5L	1PZ	—	TT334-170	TTG45	
Landcruiser (Diesel)	VDJ76R - VDJ200R Turbo Diesel	03/07	12/10	V8	4.5L	1VD-FTV	—	TT334-170	TTG45	
Landcruiser Prado	RZJ95R, RZJ120R	07/96	09/04	4	2.7L	3RZ-FE	—	TT298-180	TTG34	
Landcruiser Prado	VZJ95R	07/96	02/03	V6	3.4L	5VZ-FE	—	TT281-180	TTG34	

Make and Model		Year		Engine			Part Number			Notes
		Start	Finish	Cyl	Size	Model	Standard Thermostat	High Flow Thermostat	Gasket	
Toyota cont.										
Landcruiser Prado	GRJ120R	02/03	10/09	V6	4.0L	1GR-FE	TT659-180		INC	
Landcruiser Prado (Diesel)	KZJ95R Turbo Diesel	03/00	02/03	4	3.0L	1KZ-TE	—	TT410-170		
Landcruiser Prado (Diesel)	KZJ120R Turbo Diesel	02/03	08/03	4	3.0L	1KZ-TE	—	TT410-170		
Landcruiser Prado (Diesel)	KZJ120R Turbo Diesel	08/03	10/06	4	3.0L	1KZ-TE	—	TT410-160		
Landcruiser Prado (Diesel)	KDJ120R Turbo Diesel	11/06	10/09	4	3.0L	1KD-TE	—	TT410-180		
Lexcen	VN - Series I	09/89	10/90	V6	3.8L		TT203-195	TT2003-195	TTG12	
Lexcen	VN - Series II	10/90	10/91	V6	3.8L		TT203-195	TT2003-195	TTG46	
Lexcen	VP - VS	11/91	04/97	V6	3.8L		TT203-195	TT2003-195	TTG46	
Lite-Ace	KM20	02/80	12/85	4	1.3L	4K-C	TT240-180	TT2040-180	TTG42	
Lite-Ace	KM36	01/86	06/88	4	1.5L	5K-C	TT240-192	TT2040-192	TTG42	
Lite-Ace	KM36	06/88	03/92	4	1.5L	5K-C	TT242-192		TTG42	
Lite-Ace	CM20, CM35 - Diesel	01/83	12/87	4	1.8L	1C	TT214-180	TT2014-180	TTG47	
Lite-Ace	CM36 - Diesel	05/87	03/92	4	1.8L	1C	TT240-180	TT2040-180	TTG9	
Lite-Ace	YM21 - YM41	01/84	12/92	4	1.8L,2.0L	2Y-C,3Y-C	TT214-180	TT2014-180	TTG47	
MR2	AW11R	10/87	12/89	4	1.6L	4A-GE	TT214-180	TT2014-180	TTG47	
MR2	SW20R	01/90	11/93	4	2.0L	3S-GE	—	TT281-180	TTG34 TTG45 TTG20U	Check illustrations for correct application
MR2	SW20R	11/93	09/00	4	2.0L	3S-GE	—	TT334-180	TTG34 TTG45 TTG20U	Check illustrations for correct application
MR2	ZZW30R	10/00	08/02	4	1.8L	1ZZ-FE	—	TT281-170	TTG34	
MR2	ZZW30R	08/02	10/02	4	1.8L	1ZZ-FE	—	TT296-180	TTG34	
Paseo	EL44R, EL54R	07/91	07/99	4	1.5L	5E-FE	TT214-180	TT2014-180	TTG47	
Platz	NCP12 (NZ only)	01/99	01/05	4	1.5L	1NZFE	—	TT296-180	TTG34	
Previa	TCR10 (NZ only)	01/90	01/00	4	2.4L	2TZFE	—	TT298-180	TTG34	
Previa	ACR30 (NZ only)	01/00	12/10	4	2.4L	2AZFE	—	TT281-180	TTG69	
Prius	NHW(11R, 20R) Hybrid	10/01	06/09	4	1.5L	1NZ-FXE	—	TT296-180	TTG34	
RAV4	SXA10 - SXA16	05/94	06/00	4	2.0L	3S-FE	TT214-180	TT2014-180	TTG20U TTG47	Check illustrations for correct application
RAV4	ACA20R, ACA21	07/00	08/03	4	2.0L	1AZ-FE	—	TT281-180	TTG34	
RAV4	ACA22	09/03	11/05	4	2.4L	2AZ-FE	—	TT281-180	TTG34	
RAV4	ACA22	11/05	02/06	4	2.4L	2AZ-FE	—	TT296-180	TTG34	
RAV4	ACA23, ACA33R	09/03	12/10	4	2.4L	2AZ-FE	—	TT281-180	TTG34	
RAV4	ADA31 Turbo (NZ only)	01/08	12/10	4	2.2L	2ADFTV	—	TT281-180	TTG34	
RAV4 - V6	GSA33R	10/07	12/10	V6	3.5L		—	TT281-180	TTG29U	
SERA	EXY10	03/90	12/95	4	1.5L	5E-FHE	TT214-180	TT2014-180	TTG47	
Soarer	GZ20	01/86	01/89	6	2.0L	1G-EU	TT214-180	TT2014-180	TTG47	
Soarer	GZ20	01/86	04/91	6	2.0L	1G-GTEU	TT214-192	TT2014-192	TTG47	
Soarer	GZ20	01/89	04/94	6	2.0L	1G-FE	TT242-180	TT2042-180	TTG34	
Soarer	MZ20	01/86	08/88	6	3.0L	7M-GTEU	TT240-180	TT2040-180	TTG34	
Soarer	MZ21	08/88	04/91	6	3.0L	7M-GTEU	TT214-192	TT2014-192	TTG34	
Soarer	UZZ30 - UZZ32	05/91	09/97	V8	4.0L	1UZ-FE	—	TT281-180	TTG34	
Soarer	UZZ40	04/01	12/06	V8	4.3L	3UZ-FE	—	TT332-180	TTG11	
Soarer	JZZ30	05/91	09/91	6	2.5L	1JZ-GTE	—	TT296-180	TTG34	
Soarer	JZZ31	01/94	12/00	6	3.0L	2JZ-GE	—	TT296-180	TTG34	
Spacia	YR22R	10/93	01/98	4	2.2L	4Y-EC	TT214-180	TT2014-180	TTG47	
Spacia	SR40R	01/98	12/01	4	2.0L	3S-FE	TT214-180	TT2014-180	TTG47	
Sprinter	AE101 (NZ only)	01/94	01/99	4	1.6L	4AFE	TT214-180	TT2014-180	TTG47	
Starlet	EP71 - EP82	10/84	01/92	4	1.3L	2E,4E	TT214-180	TT2014-180	TTG47	
Starlet	EP91(R) - EP95	01/96	10/99	4	1.3L	4E-FE,FTE	TT214-180	TT2014-180	TTG47	
Starlet	NP70 - NP90	12/86	07/99	4	1.5L	1N	TT214-180	TT2014-180	TTG47	
Stout		01/63	12/83	4	1.5L-2.0L	R	TT240-180	TT2040-180	TTG9	
Supra	MA61	10/83	03/86	6	2.8L	5M-E	TT240-192	TT2040-192	TTG4	
Supra	MA70	02/86	08/88	6	3.0L	7M-GTEU	TT240-180	TT2040-180	TTG34	
Supra	MA70	03/86	09/88	6	3.0L	7M-GE	TT240-192	TT2040-192	TTG20U	
Supra	MA71	10/88	04/93	6	3.0L	7M-GTE	TT240-192	TT2040-192	TTG20U	
Supra	GA70	02/86	08/88	6	2.0L	1G-EU	TT214-180	TT2014-180	TTG47	
Supra	GA70	02/86	05/93	6	2.0L	1G-G	TT214-192	TT2014-192	TTG47	

Vehicle Application List

Make and Model		Year		Engine			Part Number			Notes
		Start	Finish	Cyl	Size	Model	Standard Thermostat	High Flow Thermostat	Gasket	
Toyota cont.										
Supra	GA70	08/88	08/90	6	2.0L	1G-FE	TT242-180	TT2042-180	TTG34	
Supra	GA70 H	08/89	05/93	6	2.0L	1G-GTEU	TT214-192	TT2014-192	TTG47	
Supra	JZA70	08/90	05/93	6	2.5L	1JZ-GTE	—	TT296-180	TTG34	
Supra	JZA80	05/93	12/97	6	3.0L	2JZ-G	—	TT296-180	TTG34	
T18	TE72	10/79	07/83	4	1.8L	3TC	TT240-180	TT2040-180	TTG4	
Tarago	CR21 - Diesel	01/83	12/88	4	2.0L	2C	TT214-180	TT2014-180	TTG47	
Tarago	YR20 -YR31	02/83	10/90	4	1.8L-2.2L		TT214-180	TT2014-180	TTG47	
Tarago	TCR10R - TCR21R	09/90	12/00	4	2.4L	2TZ-FE	—	TT298-180	TTG34	
Tarago	ACR30R	06/00	06/03	4	2.4L	2AZ-FE	—	TT281-180	TTG34	
Tarago	ACR30R MY03	06/03	02/06	4	2.4L	2AZ-FE	—	TT296-180	TTG34	
Tarago	ACR50R	03/06	12/10	4	2.4L	2AZ-FE	—	TT281-180	TTG34	
Tarago	GSR50(R)	01/07	12/10	V6	3.5L	2GR-FE	—	TT281-180	TTG34	
Tercel	AL25	10/83	04/88	4	1.5L	3A-C	TT214-180	TT2014-180	TTG20U	
Townace	YR39R	04/92	12/96	4	2.0L	3Y-C	TT214-180	TT2014-180	TTG47	
Townace	KR42R - Carb.	02/97	12/98	4	1.8L	7K-C	TT240-180	TT2040-180	TTG47	
Townace	KR42R - EFI	12/98	04/04	4	1.8L	7K-E	TT240-180	TT2040-180	TTG34	
Toyo-Ace	PK(40, 41), RY16	01/64	12/79	4	1.9L,2.0L	3R,5R	TT240-180	TT2040-180	TTG9	
Toyo-Ace	RY31	06/80	01/85	4	2.0L	5R	TT240-180	TT2040-180	TTG4	
Toyo-Ace	LY(30, 31) - Diesel	03/82	01/85	4	2.2L,2.4L	L	TT322-192	TT2322-192	TTG11	
Vitz	SCP10 (NZ only)	01/99	01/03	4	1.0L	1SZFE		TT412-176		
Vitz	NCP10 (NZ only)	01/99	01/04	4	1.3L	2NZFE	—	TT296-180	TTG29U TTG34	Check illustrations for correct application
Windom	VCV10 (NZ only)	01/91	01/96	V6	3.0L	3VZFE	—	TT281-180	TTG69	
Yaris	NCP90R	10/05	12/10	4	1.3L	2NZ-FE	—	TT296-180	TTG34	
Yaris	NCP91R, NCP93	01/05	12/10	4	1.5L	1NZ-FE	—	TT296-180	TTG34	
Triumph										
12/50		01/63	05/66	4	1.1L		TT1-180	TT2000-180		
1300		01/65	07/70	4	1.3L		TT1-180	TT2000-180		
1500		08/70	12/76	4	1.5L	F/RWD,YC	TT1-180	TT2000-180		
2.5 Pi		05/69	06/75	6	2.5L		TT1-180	TT2000-180		
2000		04/64	12/77	6	2.0L		TT1-180	TT2000-180	TTG9	
2500		03/73	12/78	6	2.5L		TT1-180	TT2000-180	TTG9	
Acclaim		01/81	12/84	4	1.3L	EN4	TT6-180	TT2001-180		
Dolomite		01/70	12/80	4	1.3L,1.5L	DH,YC	TT1-180	TT2000-180		
Dolomite	Twin Carb.	09/75	06/78	4	1.9L		TT1-180	TT2000-180		
Dolomite		09/75	12/78	4	1.9L,2.0L		TT228-180	TT2028-180	TTG9	
Dolomite Sprint	Twin Carb.	09/75	06/78	4	2.0L		TT1-180	TT2000-180		
GT6	MK1, 11, 111	03/67	07/73	6	2.0L		TT1-180	TT2000-180	TTG9	
Herald		01/59	12/71	4	1.0L-1.3L		TT1-180	TT2000-180	TTG9	
Spitfire		04/63	01/80	4	1.1L-1.3L		TT1-180	TT2000-180	TTG9	
Stag		01/70	12/78	V8	3.0L		TT1-180 TT228-180	TT2000-180 TT2028-180	TTG9 TTG9	Check illustrations for correct application
TR2 - TR6		01/54	12/75	4, 6	2.0L-2.5L		TT1-180	TT2000-180	TTG9	
TR7		01/75	12/82	4	2.0L		TT228-180 TT272-180	TT2028-180 —	TTG9 TTG9	Check illustrations for correct application
Volkswagen										
Beetle (New)	Inc. Turbo	01/00	12/10	4	1.6L-2.0L	AQY,AWU,AYD, AZJ,BFS	TT1-190	TT2000-190	TTG27	
Beetle (New)	1.9 TDI	11/05	12/10	4	1.9L	BSW	TT234-192	TT2034-192	TTG27	
Bora		11/99	09/05	4	2.0L	APK	TT1-190	TT2000-190	TTG27	
Bora		11/99	05/01	V5	2.3L	AGZ	TT234-192	TT2034-192	TTG33	
Bora		06/01	06/07	V5	2.3L	AQN	—	TT304-180	TTG33	
Bora	V6 4 MOTION	07/01	02/05	V6	2.8L	BDE	—	TT304-180	TTG33	
Caddy		01/05	12/10	4	1.6L	BGU	TT1-190	TT2000-190	TTG27	
Caddy		01/05	12/10	4	1.9L	BJB	TT234-192	TT2034-192	TTG27	
Caravelle		01/93	07/00	5	2.5L	AAF,ACU,AET	—	TT247-180	TTG33	
Caravelle		11/75	12/92	4	1.9L-2.1L	CV,DJ,DH,MV	—	TT273-180	TTG33	
Caravelle		09/00	04/05	5	2.5L	AUF	—	TT247-192	TTG33	
Caravelle		11/02	04/05	V6	2.8L	AMV	—	TT274-180	TTG31	
Crafter 35	Turbo Diesel	03/07	12/10	5	2.5L	BJK,BJL,BJM	—	TT304-192	TTG33	
EOS		03/07	12/10	4	2.0L	BWA	TT580-189		INC	
EOS	TDI	03/07	12/10	4	2.0L	BMM	TT234-192	TT2034-192	TTG27	
Golf		03/76	12/80	4	1.6L	FN,FP	TT234-180	TT2034-180	TTG28	

Make and Model		Year		Engine			Part Number			Notes
		Start	Finish	Cyl	Size	Model	Standard Thermostat	High Flow Thermostat	Gasket	
Volkswagen cont.										
Golf	I	03/78	12/82	4	1.5L	CK	TT234-180	TT2034-180	TTG28	
Golf	II - Cabriolet & GTI	09/90	12/93	4	1.8L	RV	TT234-180	TT2034-180	TTG28	
Golf	III - VR6	03/94	12/98	V6	2.8L	AAA	—	TT273-170	TTG33	
Golf	III	07/94	12/98	4	2.0L	ADY	TT234-192	TT2034-192	TTG27	
Golf	III - Inc TDI & Cabriolet	03/95	12/98	4	1.8L-2.0L	1Y,2E,AFN	TT234-180	TT2034-180	TTG28	
Golf	IV - Inc. GTI	09/98	07/04	4	1.6L-2.0L	AGN,AKL,APK,BFQ	TT1-190	TT2000-190	TTG27	
Golf	IV - Inc. Cabriolet	09/98	07/04	4	1.8L-2.0L	ADZ,AGG	TT234-180	TT2034-180	TTG28	
Golf	IV	03/02	12/10	4	1.6L,2.0L	BFQ,BMN	TT1-192	TT2000-192	TTG27	
Golf	IV - 3.2 R32	11/03	07/04	V6	3.2L	BML	—	TT304-180	TTG33	
Golf	2.0 TDI	01/04	12/10	4	2.0L	BLX	TT569-228		INC	
Golf	TDI & Sport Line	08/04	12/10	4	1.6L,2.0L	BGU,BKD	TT1-190	TT2000-190	TTG27	
Golf	1.9 - TDI	08/04	12/10	4	1.9L	BKC	TT234-192	TT2034-192	TTG27	
Golf	Gti	05/05	12/10	4	2.0L	AXX	TT580-189		INC	
Golf	R32	07/06	12/10	V6	3.2L	BUB	—	TT304-180	TTG33	
Golf	V, VI - TDI Trendline	01/09	12/10	4	1.6L	CAYC	TT1-195	TT2000-195	TTG27	
Jetta	2.0 TDI	02/06	01/09	4	2.0L	BKD	TT1-190	TT2000-190	TTG27	
Jetta	2.0 FSI	02/06	01/09	4	2.0L	BLR	TT569-228		INC	
Jetta	2.0 Turbo FSI	02/06	01/09	4	2.0L	BWA	TT580-189		INC	
Jetta	TDI	01/09	12/10	4	1.6L	CAYC	TT1-195	TT2000-195	TTG27	
Jetta	TDI	01/09	12/10	4	2.0L	CEGA	TT1-190	TT2000-190	TTG27	
Kombi		11/75	02/92	4	1.9L-2.1L	CV,DJ,DH,MV	—	TT273-180	TTG33	
Kombi	70C	05/03	08/07	5	2.5L	AET	—	TT304-192	TTG33	
Kombi	70C	07/06	04/09	4	1.9L	AXB	TT234-192	TT2034-192	TTG27	
Kombi	70C	07/06	04/09	5	2.5L	AXE	TT629-189		INC	
Micro Bus		11/75	12/83	4	2.0L	CV	—	TT273-180	TTG33	
Multivan	T5 TDI	04/05	12/10	5	2.5L	AXE	TT629-189		INC	
Multivan	T5	04/05	12/10	V6	3.2L	BKK	—	TT304-180	TTG33	
Passat		02/74	12/75	4	1.3L	ZF	TT4-192	TT2002-192	TTG27	
Passat	Inc. Diesel	02/74	12/81	4	1.5L,1.6L	CK,FP,FS,ZB	TT234-180	TT2034-180	TTG28	
Passat		08/95	02/97	4	2.0L	2E	TT234-180	TT2034-180	TTG28	
Passat	VR6	08/95	02/97	V6	2.8L	AAAO	—	TT273-180	TTG33	
Passat	Inc. Turbo	03/98	07/04	4	1.8L	ADR,AEB,AWT	TT1-192	TT2000-192	TTG27	
Passat	Inc. VR6 & 4 Motion	02/99	02/06	V6	2.8L	ACK,AEG,AMX,BBG	—	TT304-192	TTG33	
Passat	V5	11/02	11/05	V5	2.3L	AZX	—	TT304-180	TTG33	
Passat	Inc. CC & TDI	03/06	12/10	4	2.0L	BKP,BMR,CBBB	TT1-190	TT2000-190	TTG27	
Passat	Turbo	03/06	07/08	4	2.0L	BWA	TT580-189		INC	
Polo		01/96	01/02	4	1.4L,1.6L	AHS,AHW	TT385-190P		INC	
Polo		10/96	10/00	4	1.6L	AEX	TT234-192	TT2034-192	TTG28	
Polo	1.4	07/02	09/03	4	1.4L	BBY	TT1-180	TT2000-180	TTG28	
Polo	Inc. GTI & Turbo	03/04	12/10	4	1.6L,1.8L	BCD,BJX	TT1-190	TT2000-190	TTG27	
Polo	1.4	10/05	07/07	4	1.4L	BKY	TT1-180	TT2000-180	TTG28	
Polo	1.9 - TDI	10/05	09/08	4	1.9L	AXR	TT234-192	TT2034-192	TTG27	
Polo	1.4	08/07	09/08	4	1.4L	BUD	TT385-190P		INC	
Polo	TDI Comfortline	05/10	12/10	4	1.6L	CAYB	TT1-195	TT2000-195	TTG27	
Tiguan	TDI - Turbo Diesel	05/08	12/10	4	2.0L	CBAB	TT1-190	TT2000-190	TTG27	
Tiguan	125 & 145 TSI	05/08	12/10	4	2.0L	CAWA,CAWB	TT1743-203		INC	
Touareg		09/03	10/06	V6, V8	3.2L,4.2L	AXQ,AZZ	—	TT304-180	TTG33	
Touareg	TDI	10/04	12/10	5	2.5L	BAC	TT629-189		INC	
Touareg	TDI	11/06	12/10	V6	3.0L	BKS	TT578-189		INC	
Transporter		01/83	01/92	4	1.9L-2.1L	DJ,DH,CV,MV	—	TT273-180	TTG33	
Transporter	T4	11/92	08/94	4	2.0L	AAC	TT234-192	TT2034-192	TTG28	
Transporter	T4 - Inc. Diesel	01/94	12/04	5	2.4L,2.5L	AAB,AAF	—	TT273-180	TTG33	
Transporter	T4	09/94	12/04	4	2.0L	AAC	TT234-180	TT2034-180	TTG28	
Transporter	T4 - Inc. Diesel	05/95	12/04	5	2.4L,2.5L	AAB,AAF,AUF	—	TT247-180	TTG33	
Transporter	T5 - Inc. Diesel	07/04	12/10	4	1.9L,2.0L	AXB,AXA	TT234-192	TT2034-192	TTG27	
Transporter	T5	07/04	12/10	4	2.0L	AXA	TT1-190	TT2000-190	TTG27	
Transporter	T5 - TDI	07/04	12/10	5	2.5L	AXE	TT629-189		INC	
Transporter	T5	09/04	12/10	6	3.2L	BKK	—	TT304-180	TTG33	
Vento	GL	06/95	02/97	4	2.0L	ADY	TT234-180	TT2034-180	TTG28	

Vehicle Application List

Make and Model		Year		Engine			Part Number			Notes
		Start	Finish	Cyl	Size	Model	Standard Thermostat	High Flow Thermostat	Gasket	
Volvo										
122S		01/62	12/70	4	1.8L,2.0L	B18A,B20B	TT233-180	TT2033-180	TTG49	
140 Series	142	01/68	12/69	4	1.8L	B18A	TT233-180	TT2033-180	TTG49	
140 Series	142	01/69	12/75	4	2.0L	B20	TT233-180	TT2033-180	TTG11	
144 Series	144	01/68	12/75	4	1.8L,2.0L	B18A,B20	TT233-180	TT2033-180	TTG11	
140 Series	145	01/68	12/75	4	1.8L,2.0L	B20A,B20A	TT233-180	TT2033-180	TTG11	
164 Series	164	01/69	12/75	6	3.0L	B30	TT233-180	TT2033-180	TTG11	
240 Series	240	01/83	10/93	4	2.1L,2.3L	B21A,B23	TT216-192P		TTG49	
240 Series	242	01/75	12/81	4	2.1L,2.3L	B21,B23E	TT216-192P		TTG49	
240 Series	244	01/75	12/82	4	2.1L,2.3L	B21,B230E	TT216-192P		TTG49	
240 Series	245	01/75	12/82	4	2.1L,2.3L	B21,B230E	TT216-192P		TTG49	
260 Series	260	01/83	01/86	V6	2.8L	B28E	—	TT248-192	TTG31	
260 Series	262	03/80	12/81	V6	2.7L	B27E	—	TT248-192	TTG31	
260 Series	264	01/75	12/83	V6	2.7L,2.8L	B27E,B28E	—	TT248-192	TTG31	
260 Series	265	01/76	12/82	V6	2.7L,2.8L	B27E,B28E	—	TT248-192	TTG31	
360 Series		01/84	12/88	4	2.0L	B19E,B200E,A	TT216-192P		TTG49	
440 Series		01/93	12/96	4	2.0L	B20F	TT276-180		TTG20U	
740 Series	Inc. Turbo	01/85	01/92	4	2.3L	B23	TT216-192P		TTG49	
760 Series		02/83	12/90	V6	2.8L	B28	—	TT248-192	TTG31	
760 Series	Turbo	01/84	01/86	4	2.3L	B230ET	TT216-192P		TTG49	
850 Series		01/92	01/97	5	2.5L	B5254	TT272-180		TTG28 TTG29U	Check illustrations for correct application
850 Series	Turbo	05/96	01/97	4	2.3L	B5234FT	TT272-192		TTG28 TTG29U	Check illustrations for correct application
940 Series	Inc. Turbo	11/90	12/96	4	2.3L	B230	TT216-192P		TTG49	
960 Series		11/90	10/91	V6	2.8L	B280F	—	TT248-192	TTG31	
960 Series		11/91	01/97	6	2.9L	B6304F	TT272-180		TTG28 TTG29U	Check illustrations for correct application
C30	Inc. Turbo	03/07	12/10	5	2.4L,2.5L	B5244	TT1731-194		INC	
C70		09/99	03/03	5	2.3L 2.4L	B5234T, B5244T	TT272-180		TTG28 TTG29U	Check illustrations for correct application
C70	LE, T5	12/06	12/10	5	2.4L 2.5L	B5244S, B5254T	TT1731-194		INC	
Cross Country		09/00	03/03	5	2.5L	B5244T3	TT272-180		TTG28 TTG29U	Check illustrations for correct application
P122S, P123GT		01/65	12/68	4	1.8L	B18B,B18D	TT233-180	TT2033-180	TTG49	
P1800, S		01/62	12/69	4	1.8L	B18B	TT233-180	TT2033-180	TTG49	
P1800E		01/70	12/73	4	2.0L	B20F	TT233-180	TT2033-180	TTG49	
P1800S		01/69	12/70	4	2.0L	B20B	TT233-180	TT2033-180	TTG49	
S40		02/97	08/00	4	1.8L	B4184S	TT272-192		TTG28 TTG29U	Check illustrations for correct application
S40		07/99	02/04	4	1.8L	B4184S	TT272-180		TTG28 TTG29U	Check illustrations for correct application
S40		10/97	05/03	4	1.9L	B4194T	TT234-195		TTG34	
S40	Inc. Turbo	01/97	02/04	4	2.0L	B4204	TT272-180		TTG28 TTG29U	Check illustrations for correct application
S40		02/04	02/06	5	2.4L	B5244S	TT272-180		TTG28 TTG29U	Check illustrations for correct application
S40		02/06	12/10	5	2.4L	B5244S4	TT234-195		TTG34	
S40		03/07	12/10	5	2.4L		TT1606-194		INC	
S40		02/04	02/06	5	2.5L	B5254T3	TT272-180		TTG28 TTG29U	Check illustrations for correct application
S40		02/06	12/10	5	2.5L	B5254T3	TT1731-194		INC	
V40		02/97	08/00	4	1.8L	B4184S	TT272-192		TTG28 TTG29U	Check illustrations for correct application
V40		07/99	02/04	4	1.8L	B4184S	TT272-180		TTG28 TTG29U	Check illustrations for correct application
V40		10/97	05/03	4	1.9L	B4194T	TT234-195		TTG34	
V40	Inc. Turbo	01/97	02/04	4	2.0L	B4204	TT272-180		TTG28 TTG29U	Check illustrations for correct application
V40		02/04	02/06	5	2.4L	B5244S	TT272-180		TTG28 TTG29U	Check illustrations for correct application
V40		02/06	12/10	5	2.4L	B5244S4	TT234-195		TTG34	
V40		02/04	02/06	5	2.5L	B5254T3	TT272-180		TTG28 TTG29U	Check illustrations for correct application
V40		02/06	12/10	5	2.5L	B5254T3	TT1731-194		INC	
S60	T5	12/00	07/03	5	2.3L	B5234T	TT234-195		TTG34	
S60	Inc. Turbo	12/00	12/10	5	2.4L	B5244	TT234-195		TTG34	

Make and Model		Year		Engine			Part Number			Notes
		Start	Finish	Cyl	Size	Model	Standard Thermostat	High Flow Thermostat	Gasket	
Volvo cont.										
S60	Inc. Turbo	06/02	10/05	5	2.5L	B5254T	TT272-180		TTG28 TTG29U	Check illustrations for correct application
S60		10/04	12/10	5	2.5L	B5254T4	TT1732-194		INC	
S60		02/06	12/10	5	2.5L		TT1732-194		INC	
S70	Inc. Turbo	02/97	05/03	5	2.3L	B5234	TT272-180		TTG28 TTG29U	Check illustrations for correct application
S70		02/97	04/01	5	2.4L	B5244,B5252	TT272-180		TTG28 TTG29U	Check illustrations for correct application
S70		02/97	04/01	5	2.4L	B5252F	TT272-195		TTG34	
S70		03/97	04/01	5	2.4L	B5254T	TT272-180		TTG34	
S80	TS90	05/98	07/99	6	2.8L	B6284T5	—	TT390-195	INC	
S80	TS95, TS97	05/98	06/03	6	2.9L	B6304S,3	—	TT390-195	INC	
S80	Turbo	10/04	12/06	5	2.5L	B5254T2	TT272-180		TTG28 TTG29U	Check illustrations for correct application
S80		10/04	12/06	6	2.8L	B6284T	—	TT390-195	INC	
S80		01/07	12/10	5	2.4L	D5244T	TT1606-194		INC	
S80	V8	01/07	12/10	V8	4.4L	B844S	—	TT302-180		
S90	2.9	02/97	12/98	6	2.9L	B6304F	TT272-180		TTG28 TTG29U	Check illustrations for correct application
V90		02/97	12/98	6	2.9L	B6304F	TT272-180		TTG28 TTG29U	Check illustrations for correct application
V50		03/04	01/06	5	2.4L	B5244S4	TT272-180		TTG28 TTG29U	Check illustrations for correct application
V50		01/06	12/10	5	2.4L	B5244S4	TT1731-194		INC	
V50		03/07	12/10	5	2.4L	D5244T	TT1606-194		INC	
V50	T5	03/04	01/06	5	2.5L	B5254T3	TT272-180		TTG28 TTG29U	Check illustrations for correct application
V50	T5 AWD	01/06	12/10	5	2.5L	B5254T3	TT1731-194		INC	
V70		03/97	06/99	5	2.3L	B5234T	TT234-195		TTG34	
V70		02/00	05/03	5	2.3L	B5234T3	TT234-195 TT1733-194		TTG34 INC	Check illustrations for correct application
V70		03/97	09/00	5	2.4L	B5252F, B5254,T	TT234-195		TTG34	
V70		02/00	12/10	5	2.4L	B5244S,T3	TT234-195 TT1733-194		TTG34 INC	Check illustrations for correct application
XC70	Inc. Cross Country	04/03	11/07	5	2.5L	B5254T	TT1732-194		INC	
XC70		12/07	12/10	5	2.4L	D5244T	TT1606-194		INC	
XC90	Turbo	06/03	09/06	5	2.5L	B5254T2	TT272-180		TTG28 TTG29U	Check illustrations for correct application
XC90	T6	06/03	09/06	6	2.9L	B6294T	TT272-180		TTG28 TTG29U	Check illustrations for correct application
XC90	D5	10/06	12/10	5	2.4L		TT1732-194		INC	
XC90		10/06	12/10	V8	4.4L		—	TT302-180		

Heavy Vehicle Application List

Make and Model	Model Comments	Year	Qty per Engine	Thermostat Part No. Suggested Temperatures*			Gasket Part No.
ALLIS CHALMERS, BUDA							
Tractors (Crawler)							
H3, HD3, HD7	Tractor #937 and up		1	TT218-180		-	Inc.
H4, HD4		61-69	1	TT1-180		-	TTG36
HD5A, HD5B, HD5D, HD5E, HD5F, HD5G		49-69	1	TT1-180		-	TTG36
HD6A, HD6B, HD6EP, HD6G, HD7G	Eng. #6-16982 and up		1	TT8400-170P	or	TT8400-180P	TTG67+ TTG20U
HD11B, HD11C, HD11EC, HD11EP, HD11ES	Prior to Tractor #437		2	TT218-180		-	Inc.
HD11B, HD11C, HD11EC, HD11EP, HD11ES	Eng.#10-7976 and up		2	TT8400-170P	or	TT8400-180P	TTG67+ TTG20U
HS11F, HD11FC, HD11G, HD11GC, HD11S	Prior to Tractor #437		2	TT218-180		-	Inc.
HS11F, HD11FC, HD11G, HD11GC, HD11S	Eng.#10-7976 and up		2	TT8400-170P	or	TT8400-180P	TTG67+ TTG20U
HD10	Tractor #1180 and up		1	TT218-180		-	Inc.
HD14	Tractor #906 and up			TT218-180		-	Inc.
HD16, HD16A, HD16AC, HD16D, HD16DC			2	TT8400-170P	or	TT8400-180P	TTG67+ TTG20U
HD21, HD21A, HD21F, HD21G, HD21GP, HD21P	Eng. #21-3683 and up		2	TT8400-170P	or	TT8400-180P	TTG67+ TTG20U
HD41			2	TT8800-170P	or	TT8800-180P	TTG65+ TTG20U
Tractors (Wheel)							
D10, D12, D15, D17, D19, 140, 160G, D17D, D19D			1	TT218-180		-	Inc.
D21, 190G, 190D, 190XT-D, 190XT-G, 190XT-L			1	TT1-180		-	TTG36
W, WC, WD, WF		33-55	1	TT2-180		-	TTG20U
WD45, WD45D		54-69	1	TT218-180		-	Inc.
B, IB, C, CA	with bypass	41-58	1	TT218-180		-	Inc.
D30, D40			2	TT8400-170P	or	TT8400-180P	TTG67+ TTG20U
T16D	Eng. 118802 to Tractor #1909		1	TT8400-170P	or	TT8400-180P	TTG67+ TTG20U
T16D	Tractor #1910 and up		1	TT1-180		-	TTG36
Loaders (Rubber Tyre)							
TL10	Prior to eng. #45-1001-G		1	TT2-180		-	TTG20U
TL11				TT2-180		-	TTG20U
TL10	Eng. #17-1001-M and up		1	TT218-180		-	Inc.
TL10D, TL11D				TT218-180		-	Inc.
TL12D	Prior to Tractor #2003		1	TT218-180		-	Inc.
TL12D	Tractor #2003 and up		1	TT1-180		-	TTG36
TL14, TL14A, TL14D, TL14DA	Tractor #101 to #1525		1	TT218-180		-	Inc.
TL124D	Eng. #118803 and up		1	TT8400-170P	or	TT8400-180P	TTG67+ TTG20U
TL16	Tractor #101 to #1800		1	TT218-180		-	Inc.
TL16D	Tractor #1801 to #1909		1	TT8400-170P	or	TT8400-180P	TTG67+ TTG20U
TL16D	Tractor #1901 and up		1	TT1-180		-	TTG36
TL20D, TL30D	Eng. #124119 and up		2	TT8400-170P	or	TT8400-180P	TTG67+ TTG20U
TL40D			2	TT8400-170P	or	TT8400-180P	TTG67+ TTG20U
TL545, TL545D, TL645D			1	TT1-180		-	TTG36
Scrapers							
TR260, TR260P, TS260, TS260D, TS260E, TS260P	Eng. #936-1100 and up - inc. all units with #19000 eng.		2	TT8400-170P	or	TT8400-180P	TTG67+ TTG20U
TS360	Eng. #493 and up		2	TT8400-170P	or	TT8400-180P	TTG67+ TTG20U
TS460, TS460B, TS560, TS560D			2	TT8400-170P	or	TT8400-180P	TTG67+ TTG20U
Combines							
66, 72, 90			1	TT218-180		-	Inc.
Graders							
AD3, AD4	Grader #295 and up		1	TT218-180		-	Inc.
AD30			1	TT218-180		-	Inc.
BD2, BD3			1	TT1-180		-	TTG20U
Model D	Prior to Grader #3370		1	TT2-180		-	TTG20U
Model D	Grader #33370 and up		1	TT218-180		-	Inc.

Make and Model	Model Comments	Year	Qty per Engine	Thermostat Part No. Suggested Temperatures*			Gasket Part No.
ALLIS CHALMERS, BUDA – Graders cont.							
Model DD	Prior to Grader #2573		1	TT218-180		-	Inc.
Model DD	Grader #2573 and up		1	TT1-180		-	TTG20U
145, 145T	Eng. #145-594 and up		1	TT8400-170P	or	TT8400-180P	TTG67+ TTG20U
M70			1	TT8400-170P	or	TT8400-180P	TTG67+ TTG20U
M100, M100B			2	TT8400-170P	or	TT8400-180P	TTG67+ TTG20U
Fork Lift Trucks (Petrol and LPG)							
F30, F40, F50, F60, F70, F80, FL30, FL40, FL50			1	TT1-180		-	TTG20U
FL60, FL70, FL80, FT20, FT25, FT30, FT40, FTL20			1	TT1-180		-	TTG20U
FTL25, FS60, FS70, FS80, FSL60, FSL70, FSL80			1	TT1-180		-	TTG20U
Fork Lift Trucks (Diesel)							
FD30, FD40, FD50, FD60, FD70, FD80, FDX30, FDX40			1	TT1-180		-	TTG20U
FDX50, FDX60, FDX70, FDX80, FSD60, FSD70, FSD80			1	TT1-180		-	TTG20U
Engines (Petrol)							
G138, G201, W226			1	TT2-180		-	TTG20U
G125, G139, G149, G160, 4B182, G226, G262			1	TT218-180		-	Inc.
G2200, G2500, G2800		To-71	1	TT1-180		-	TTG36
Engines (Diesel)							
4BD153, 4DA153, 4DA182, 6BD230, D262, 6BD273, 6DA273			1	TT218-180		-	Inc.
D2200, D2500, D2800, 2900, 3400, 3500			1	TT1-180		-	TTG20U
6000, 7000	Ser. #7-16982 and up		1	TT8400-170P	or	TT8400-180P	TTG67+ TTG20U
10000	Ser. #10-7976 and up		2	TT8400-170P	or	TT8400-180P	TTG67+ TTG20U
11000	Ser. #124119 and up		2	TT8400-170P	or	TT8400-180P	TTG67+ TTG20U
15000, 16000, 16000 & 16000H	Ser. #16-4408 and up		2	TT8400-170P	or	TT8400-180P	TTG67+ TTG20U
19000, 21000, & 21000H	Ser. #21-3683 and up		2	TT8400-170P	or	TT8400-180P	TTG67+ TTG20U
2500			2	TT8400-170P	or	TT8400-180P	TTG67+ TTG20U
ARMSTRONG - SIDDELEY							
234, 236, 346, Star			1	TT1-180		-	TTG20U
J.I. CASE (Petrol and LPG)							
D, L, Series		52-55	1	TT2-180		-	TTG20U
400 Series		55-58	1	TT218-180		-	Inc.
700B, 800B, 730, 830, 940 Series	LPG only		1	TT218-180		-	Inc.
700BD, 800BD, 730, 830 and 900 Series, 1000D			1	TT218-180		-	Inc.
W7, W9, W10, W12, W14, W18, W24, W26B			1	TT218-180		-	Inc.
300, 430, 530, 580 and 630 Series			1	TT1-180		-	TTG20U
750, 850, 1150, 1150B			1	TT8700-170P	or	TT8700-180P	TTG67+ TTG20U
1370			1	TT1-180		-	TTG20U
CATERPILLAR							
Crawler Tractors							
D3			1	TT2-180		-	TTG29U
D7E	Ser. #47A1737 and up, #44A4634 and up		2	TT8800-170P	or	TT8800-180P	TTG65+ TTG20U
D8H	Ser. #36A4469 and up, #46A7096 and up		2	TT8800-170P	or	TT8800-180P	TTG65+ TTG20U
D8K	Ser. #17S and up		2	TT8800-170P	or	TT8800-180P	TTG65+ TTG20U
D9	Ser. #91J, 99J, #66A4228 and up		2	TT8800-170P	or	TT8800-180P	TTG65+ TTG20U
Wheel Tractors							
619	Ser. #61F528 and up, #62F194 and up		2	TT8800-170P	or	TT8800-180P	TTG65+ TTG20U
621	Ser. #23H		2	TT8800-170P	or	TT8800-180P	TTG65+ TTG20U

*Note: Last 3 numbers indicate opening temperature in °F. As climate may vary, refer to manufacturer's manual for correct temperature. Refer to pages 94 - 126 for alternate temperatures.

Heavy Vehicle Application List

Make and Model	Model Comments	Year	Qty per Engine	Thermostat Part No. Suggested Temperatures*			Gasket Part No.
CATERPILLAR – Wheel Tractors cont.							
627	Ser. #50K, 54K, 68M, 69M		1	TT8800-170P	or	TT8800-180P	TTG65+TTG20U
630B	Ser. #14G1 and up		2	TT8800-170P	or	TT8800-180P	TTG65+TTG20U
631B	Ser. #13G1 and up		2	TT8800-170P	or	TT8800-180P	TTG65+TTG20U
632	Ser. #14G1 and up		2	TT8800-170P	or	TT8800-180P	TTG65+TTG20U
633	Ser. #44J, 66M		2	TT8800-170P	or	TT8800-180P	TTG65+TTG20U
637	Ser. #65M, 79P		2	TT8800-170P	or	TT8800-180P	TTG65+TTG20U
637	Ser. #64M, 91N, 92N		1	TT8800-170P	or	TT8800-180P	TTG65+TTG20U
641	Ser. #64F1 and up, #41M, 65K		2	TT8800-170P	or	TT8800-180P	TTG65+TTG20U
650	Ser. #63F1 and up, #77F, 58K		2	TT8800-170P	or	TT8800-180P	TTG65+TTG20U
651	Ser. 333G1 and up, 367K, 44M		2	TT8800-170P	or	TT8800-180P	TTG65+TTG20U
657	Ser. #19G1 and up, #20G1 and up		2	TT8800-170P	or	TT8800-180P	TTG65+TTG20U
657	Ser. #31G1 and up, #68K, 47M, 53K		2	TT8800-170P	or	TT8800-180P	TTG65+TTG20U
660	Ser. #77F1 and up, #90F1 and up, #58K		2	TT8800-170P	or	TT8800-180P	TTG65+TTG20U
666	Ser. #19G1 and up, #20G1 and up		2	TT8800-170P	or	TT8800-180P	TTG65+TTG20U
666	Ser. #77F, 64H-32G		2	TT8800-170P	or	TT8800-180P	TTG65+TTG20U
773	Ser. #63G		2	TT8800-170P	or	TT8800-180P	TTG65+TTG20U
824, 825	Ser. #29G1 and up and #43E		2	TT8800-170P	or	TT8800-180P	TTG65+TTG20U
834, 835	Ser.36H, #43N, 44N		2	TT8800-170P	or	TT8800-180P	TTG65+TTG20U
Motor Graders							
16	Ser. #49G1 and up		2	TT8800-170P	or	TT8800-180P	TTG65+TTG20U
Traxcavators							
910	Ser. #80U1 and up		1	TT2-180		-	TTG36
931			1	TT2-180		-	TTG36
966B	Ser. #75A1 and up		2	TT8800-170P	or	TT8800-180P	TTG65+TTG20U
980	Ser. #42H1 and up		2	TT8800-170P	or	TT8800-180P	TTG65+TTG20U
980B Series			1	TT8800-170P	or	TT8800-180P	TTG65+TTG20U
980	Ser. #89P		1	TT8800-170P	or	TT8800-180P	TTG65+TTG20U
983			2	TT8800-170P	or	TT8800-180P	TTG65+TTG20U
988	Ser. #87A1, 78P		2	TT8800-170P	or	TT8800-180P	TTG65+TTG20U
988B	Ser. #50W and up		2	TT8800-170P	or	TT8800-180P	TTG65+TTG20U
992	25K Series		3	TT8800-170P	or	TT8800-180P	TTG65+TTG20U
Pipe Layers							
571	Ser. #64A72 and up		2	TT8800-170P	or	TT8800-180P	TTG65+TTG20U
572E	Ser. 65A65 and up		2	TT8800-170P	or	TT8800-180P	TTG65+TTG20U
583H	Ser. #61A87 and up		2	TT8800-170P	or	TT8800-180P	TTG65+TTG20U
Engines (Industrial and Construction)							
D333B	Ser. #79B1 and up		1	TT8800-170P	or	TT8800-180P	TTG65+TTG20U
D342C	Ser. #31B3617 and up, #49B467 and up		2	TT8800-170P	or	TT8800-180P	TTG65+TTG20U
D343	Ser. #62B1 to #62B1868		2	TT8800-170P	or	TT8800-180P	TTG67+TTG20U
D343C and D343D	Ser. #46B870 and up		2	TT8800-170P	or	TT8800-180P	TTG67+TTG20U

Make and Model	Model Comments	Year	Qty per Engine	Thermostat Part No. Suggested Temperatures*			Gasket Part No.
CATERPILLAR – Engines (Industrial and Construction) cont.							
D343	Ser. #77B1 and up		2	TT8800-170P	or	TT8800-180P	TTG67+ TTG20U
D353, Series C-D	Ser. #46B1 and up		2	TT8800-170P	or	TT8800-180P	TTG65+ TTG20U
G353D	Ser. #64B1 and up		2	TT8400-170P	or	TT8400-180P	TTG67+ TTG20U
D379	Ser. #68B1 and up		4	TT8800-170P	or	TT8800-180P	TTG65+ TTG20U
G379	Ser. #72B1 and up		4	TT8800-170P	or	TT8800-180P	TTG65+ TTG20U
Engines (Marine)							
D330	Ser. #57B1 and up, #86B1 and up		1	TT8800-170P	or	TT8800-180P	TTG65+ TTG20U
D330A	Ser. #51B1 and up		1	TT8800-170P	or	TT8800-180P	TTG65+ TTG20U
D330B	Ser. 382B1 and up		1	TT8800-170P	or	TT8800-180P	TTG65+ TTG20U
D333B	Ser. #82B1 and up		1	TT8800-170P	or	TT8800-180P	TTG65+ TTG20U
D343	Ser. #33B1 and up		2	TT8400-170P	or	TT8400-180P	TTG67+ TTG20U
D379	Ser. #69B1 and up		4	TT8800-170P	or	TT8800-180P	TTG65+ TTG20U
D398	Ser. #67B1 and up, #76B888 and up		4	TT8800-170P	or	TT8800-180P	TTG65+ TTG20U
D398	Ser. #66B700 and up, #73B1 and up		4	TT8800-170P	or	TT8800-180P	TTG65+ TTG20U
G398	Ser. #73B1 and up		4	TT8800-170P	or	TT8800-180P	TTG65+ TTG20U
D3400	Ser. #IN7001 and up		2	TT2-170	or	TT2-180	TTG20U
D4400	Ser. #IN4001 and up		2	TT2-170	or	TT2-180	TTG20U
D4600	Ser. #IN1 and up		2	TT2-170	or	TT2-180	TTG20U
Engines (Truck)							
769	Ser. #99F1 and up		2	TT8800-170P	or	TT8800-180P	TTG65+ TTG20U
D348	Ser. #57K, 98N		4	TT8800-170P	or	TT8800-180P	TTG65+ TTG20U
1140	Ser. #36B1 and up		2	TT234-180		-	TTG28/ 20U
1145	Ser. #97B1 and up		2	TT234-180		-	TTG28/ 20U
1150	Ser. #96B1 and up		2	TT234-180		-	TTG28/ 20U
1160	Ser. #95B1 and up		2	TT234-180		-	TTG28/ 20U
1673	Ser. #74B109 and up		1	TT8800-170P	or	TT8800-180P	TTG65+ TTG20U
1673B	Ser. #74B1 and up, #69D		1	TT8800-170P	or	TT8800-180P	TTG65+ TTG20U
1674	Ser. #94B		1	TT8800-170P	or	TT8800-180P	TTG65+ TTG20U
1676	Ser. #54B		2	TT8800-170P	or	TT8800-180P	TTG65+ TTG20U
1693	Ser. #65B1 and up		2	TT8800-170P	or	TT8800-180P	TTG65+ TTG20U
3204			1	TT2-180		-	TTG36
3116, 3208			2	TT234-180		-	TTG28/ 20U
3406			1	TT8800-170P	or	TT8800-180P	TTG65+ TTG20U
3408			1	TT8800-170P	or	TT8800-180P	TTG65+ TTG20U
3176, 3412			as req'd	TT8800-170P	or	TT8800-180P	TTG65+ TTG20U
3508, 3512, 3516			4	TT8800-170P	or	TT8800-180P	TTG65+ TTG20U
CHEVROLET							
Petrol Engines							
V8 6.0L, 7.0L	366, 427 cu. in. eng.	69-96	2	TT224-180		-	TTG63
4.3L	262 cu. in. eng.	90-92	1	TT1-180		-	TTG13
8 Cyl. 5.7L	350 cu. in. eng.	83-91	1	TT1-180		-	TTG13
8 Cyl. 4.8L	292 cu. in. eng.	83-89	1	TT1-180		-	TTG13
8 Cyl. w/4BBL	exc. 366, 427 cu. in. eng.	80-82	1	TT1-180		-	TTG13

*Note: Last 3 numbers indicate opening temperature in °F. As climate may vary, refer to manufacturer's manual for correct temperature. Refer to pages 94 - 126 for alternate temperatures.

Heavy Vehicle Application List

Make and Model	Model Comments	Year	Qty per Engine	Thermostat Part No. Suggested Temperatures*			Gasket Part No.
CHEVROLET – Petrol Engines cont.							
All	exc. V8 366, 427 cu. in. eng.	67-79	1	TT1-180		-	TTG13
V6		66-75	2	TT1-180		-	TTG13
6 Cyl. Only		67-79	1	TT1-180		-	TTG13
All (exc. Air Injection Reactor)	V6 eng., V8 366, 427 cu. in. eng.	67-79	1	TT1-180		-	TTG13
All with Air Injection Reactor	exc. V6 eng. V8 366, 427 cu. in. eng.	67-79	1	TT1-180		-	TTG13
60-80, 600-800 Series w/366 eng.		66-68	2	TT224-160		-	TTG20U
All (exc. Air Injection Reactor)	Series 20-30 Step Van w/250 cu.in.eng.		1	TT1-180		-	TTG13
All V6 eng. and 427 eng.		66	1	TT1-180		-	TTG13
All Series 20-30 step Van w/250 or 230 cu in. 8 Cyl. eng.		64-68	1	TT218-180		-	Inc.
All (exc. Series 20-30 Step Van)	w/230 cu.in. 6 Cyl. eng.	65	1	TT1-180		-	TTG9
All 292 cu. in. 6 Cyl. eng.		63-64	1	TT218-180		-	Inc.
All (exc. Series 60)	w/327 cu. in. V8 eng., or 261 cu. in. 6 Cyl.	62-63	1	TT1-180		-	TTG9
All w/348 and 409 cu. in. B8 eng. 1st design.		62-63	1	TT1-180		-	TTG9
All Series 60 w/327 cu. in. V8 eng. or 261 cu. in.			1	TT218-180		-	Inc.
6 Cyl. eng., 348 & 409 cu. in. V8 eng. 1st design		62-63	1	TT218-180		-	Inc.
All (exc. 322 cu. in. V8 eng., 10F)	and engines w/bypass stat	59-61	1	TT1-180		-	TTG9
All w/bypass stat	exc. 322 cu. in. V8 eng. 10F	59-61	1	TT218-180		-	Inc.
All w/std. trans.	exc., 322 cu.in. V8 eng. 10F	37-58	1	TT1-180		-	TTG9
Diesel Engines							
6.5L (F) (P) (S)		92-94	1	TT332-180		-	-
8.2L		80-on	2	TT266-180		-	-
6.2L All		82-93	1	TT2-180		-	TTG36
Series 80	exc. w/DH478, DH637 eng.	62-91	2	TT8400-170P	or	TT8400-180P	TTG20U
Series 50-80	w/D351, D478, DH478, D637, DH637 eng.	66-91	2	TT1-180		-	TTG20U
Series 50-60	exc. w/D351, D478, DH478 eng.	62-88	1	TT219-180		-	TTG20U
350 cu. in. eng., 5.2L, 2.2L		76-88	1	TT1-180		-	TTG10
CHRYSLER							
Petrol Engines							
All V8 eng.		79-91	1	TT1-180		-	TTG9
H170, HB170, H225, HB225		62-88	1	TT1-180		-	TTG9
H237.5, HB237.5, HC237.5, HT237.5, H318, HB318			1	TT2-180		-	TTG36
HC318, HT318, H426, HB426, HC426		62-80	1	TT2-180		-	TTG36
H361, HB361, HC361, HT361, H413, HB413, HC413, HT413		62-68	1	TT2-180		-	TTG36
908A, 931		62-67	1	TT218-180		-	Inc.
30, 31, 32, 33		54-67	1	TT218-180		-	Inc.
52, 53, 54, 56		54-67	1	TT2-180		-	TTG36
16, 24		52-58	1	TT218-180		-	Inc.
13, 14, 15, 22		49-55	1	TT2-180		-	TTG20U
5, 6, 7, 9, 19, 20		48-55	1	TT218-180		-	Inc.
CITROEN							
Engines							
4X 192 T23, 449, 407, P4			1	TT1-180		-	TTG20U
Trucks							
Citroen 23 Petrol			1	TT238-170		-	-
Citroen 23 Diesel			1	TT1-180		-	TTG20U
Tube HY, HZ, HVP, Tube H1200, HYV1200, H1500Kg.			1	TT238-170		-	-
Tube 1000, 1500 Petrol & Diesel.			1	TT238-170		-	-
Idénor Models - all.			1	TT238-170		-	-
JD Utilitaire			1	TT238-170		-	-
350, 370, 450 Petrol only.			1	TT238-170		-	-
COCKSHUT							
162 cu. in. & 240 cu. in.			1	TT1-180		-	TTG20U
Model 40		52-56	1	TT218-180		-	Inc.

Make and Model	Model Comments	Year	Qty per Engine	Thermostat Part No. Suggested Temperatures*		Gasket Part No.
CONTINENTAL						
Petrol Engines						
N4062, Y4069, Y4091, F4124, F4140, F4162, G4093			1	TT1-180	-	TTG20U
F6188, F6209, F6226, F8244, FO8226			1	TT1-180	-	TTG20U
M6271, K6271, M6290, K6290, M6330, B6371, B6427			1	TT2-180	-	TTG20U
K6330, K6363, T6371, T6427, T6478, U6501			1	TT218-180	-	Inc.
R8613, R6572, R6602, V8603, S6749, S6820			1	TT218-180	-	Inc.
Industrial Engines - Petrol						
N58, N82, Y89, Y91, Y112, F124, F135			1	TT1-180	-	TTG20U
F140, F162, F186, F209, F226, F244			1	TT1-180	-	TTG20U
Z129, Z134, G134, G157, G174			1	TT1-180	-	TTG20U
G193, E201, E208, E233, E242, H227			1	TT1-180	-	TTG20U
H243, H260, H277, J382, J403, G193-2237, 8427-198, 218			1	TT1-180	-	TTG20U
M330-246P, 293, 301P, 320, 327P			1	TT2-180	-	TTG20U
340P, 349, 350, 362P, 451, 471P			1	TT2-180	-	TTG20U
B371, M271, M290, B427-193P, 199P, 203, 208P, 210			1	TT2-180	-	TTG20U
G193-STD, 202, 2201, 2204, 2218, 2224, B427-125			1	TT218-180	-	Inc.
242, 506, M363, K363, T371, T427, U501			1	TT218-180	-	Inc.
R513, R572, R206, V803, S749, S820			2	TT218-180	-	Inc.
Diesel Engines						
ZD129, ZD144, GD157, GD174, GD193, ED201, ED208, ED223			1	TT1-180	-	TTG20U
ED243, ED260, ED277, JD382, JD403, GD4193			1	TT1-180	-	TTG20U
KD363, TD427, TD6427			1	TT218-180	-	Inc.
RD572, RD600, VD603, SD802, SD6802			2	TT218-180	-	Inc.
CUMMINS						
Diesel Engines						
Cummins eng. 210 Lineal 992-994			1	TT342-165	-	TTG20U
B Series : 4 & 6 cyl. - 102			1	TT380-180	-	-
B Series : 4 & 6 cyl. - 114			1	TT342-170	or TT342-180	TTG20U
B Series 5.9L 8 cyl.			1	TT233-180	-	TTG20U
C Series, 4 cyl.	B, BI, I, IP Type	3/51 on	1	TT1-180	-	TTG20U
C-90, C-105, C-140		3/51 on	1	TT1-180	-	TTG20U
C Series, 8 cyl.	B, BI, CI, I, IP, P Type	to 1/55	2	TT2-170	or TT2-180	TTG20U
C-180, CF-160, CR-160, C-175, C-180, C-190		to 1/55	2	TT2-170	or TT2-180	TTG20U
C-200, C-240		to 1/55	2	TT2-170	or TT2-180	TTG20U
C Series, 8 cyl.	B, BI, CI, I, IP, P Type	3/61 on	1	TT8800-170P	or TT8800-180P	TTG65+ TTG20U
C-180, CF-160, CR-160, C-175, C-180, C-190		3/61 on	1	TT8800-170P	or TT8800-180P	TTG65+ TTG20U
C-200, C-240		3/61 on	1	TT8800-170P	or TT8800-180P	TTG65+ TTG20U
H Series: 4 & 8 cyl.	B, BI, CI, I, IP, P, G Type	to 1/55	1	TT2-170	or TT2-180	TTG20U
H, HA, HB, HF HHR, HHRF, HHRS, HR, HRC		to 1/55	1	TT2-170	or TT2-180	TTG20U
HRF, HRS, HS, H-135, H-160, HU-170		to 1/55	1	TT2-170	or TT2-180	TTG20U
H Series: 4 & 8 Cyl.	B, BI, CI, I, IP, P, G Type	3/61 on	1	TT8800-170P	or TT8800-180P	TTG65+ TTG20U
H, HA, HB, HF HHR, HHRF, HHRS, HR, HRC		3/61 on	1	TT8800-170P	or TT8800-180P	TTG65+ TTG20U
HRF, HRS, HS, H-135, H-160, HU-170		3/61 on	1	TT8800-170P	or TT8800-180P	TTG65+ TTG20U
J Series: 4 cyl.	B, BI, I, IP, P, G, Type	3/61 on	1	TT1-180	-	TTG20U
J-70, J-80, J-120		3/61 on	1	TT1-180	-	TTG20U
J Series: 6 cyl.	B, BI, CI, I, IP, P, G Type	to 1/55	2	TT2-170	or TT2-180	TTG20U
J, JF, JN, JNR, JNS, JS, JT, JT-10, JT-15, JT-20		to 1/55	2	TT2-170	or TT2-180	TTG20U
JN-130, JNF-130, JNR-100		to 1/55	2	TT2-170	or TT2-180	TTG20U
J Series: 6 cyl.	B, BI, CI, I, IP, P, G Type	3/61 on	1	TT8800-170P	or TT8800-180P	TTG65+ TTG20U
J, JF, JN, JNR, JNS, JS, JT, JT-10, JT-15, JT-20		3/61 on	1	TT8800-170P	or TT8800-180P	TTG65+ TTG20U

*Note: Last 3 numbers indicate opening temperature in °F. As climate may vary, refer to manufacturer's manual for correct temperature. Refer to pages 94 - 126 for alternate temperatures.

Heavy Vehicle Application List

Make and Model	Model Comments	Year	Qty per Engine	Thermostat Part No. Suggested Temperatures*			Gasket Part No.
CUMMINS – Diesel Engines cont.							
JN-130, JNF-130, JNR-100		3/61 on	1	TT8800-170P	or	TT8800-180P	TTG65+ TTG20U
L Series: L-10	exc. low flow cooling		1	TT8800-170P	or	TT8800-180P	TTG65+ TTG20U
L Series: L, LR, LRT			3	TT2-170	or	TT2-180	TTG20U
N Series: 4 & 6 cyl.	B, BI, CI, I, IP, P, G Type	to 1/55	2	TT2-170	or	TT2-180	TTG20U
NFT, NRT, NRTO, NT, NTC, NTE, NTO		to 1/55	2	TT2-170	or	TT2-180	TTG20U
NT-185, NT-180, NT-200, NTC-230, NTE-235		to 1/55	2	TT2-170	or	TT2-180	TTG20U
NT-280, NT-300, NT-310, NT-335, NTC-250		to 1/55	2	TT2-170	or	TT2-180	TTG20U
NTC-290, NTC-335, NTC-350, NTC-370, NT-380		to 1/55	2	TT2-170	or	TT2-180	TTG20U
NTC-400, NT-420, NT-855, N-927		to 1/55	2	TT2-170	or	TT2-180	TTG20U
Power Torque 270, 300D formula 230, 250, 270, 290		to 1/55	2	TT2-170	or	TT2-180	TTG20U
N Series: 4 & 6 cyl.	B, BI, CI, I, IP, P, G Type	3/61 on	1	TT8800-170P	or	TT8800-180P	TTG65+ TTG20U
NFT, NRT, NRTO, NT, NTC, NTE, NTO		3/61 on	1	TT8800-170P	or	TT8800-180P	TTG65+ TTG20U
NT-185, NT-180, NT-200, NTC-230, NTE-235		3/61 on	1	TT8800-170P	or	TT8800-180P	TTG65+ TTG20U
NT-280, NT-300, NT-310, NT-335, NTC-250		3/61 on	1	TT8800-170P	or	TT8800-180P	TTG65+ TTG20U
NTC-290, NTC-335, NTC-350, NTC-370, NT-380		3/61 on	1	TT8800-170P	or	TT8800-180P	TTG65+ TTG20U
NTC-400, NT-420, NT-855, N-927		3/61 on	1	TT8800-170P	or	TT8800-180P	TTG65+ TTG20U
Power Torque 270, 300D formula 230, 250, 270, 290		3/61 on	1	TT8800-170P	or	TT8800-180P	TTG65+ TTG20U
NH Series: 4 & 6 cyl.	B, BI, CI, I, IP, P, G Type	to 1/55	2	TT2-170	or	TT2-180	TTG20U
NH, NHC, NHE, NHS, NHRS, NR-180, NH-180		to 1/55	2	TT2-170	or	TT2-180	TTG20U
NHE-180, NH-195, NHE-195, NH-200, NH-220		to 1/55	2	TT2-170	or	TT2-180	TTG20U
NHE-220, NHE-225, NHF-240, NH-230, NH-250		to 1/55	2	TT2-170	or	TT2-180	TTG20U
NHC-250, NHCT-270		to 1/55	1	TT8800-170P	or	TT8800-180P	TTG65+ TTG20U
NH Series: 4 & 6 cyl.	B, BI, CI, I, IP, P, G Type	3/61 on	1	TT8800-170P	or	TT8800-180P	TTG65+ TTG20U
NH, NHC, NHE, NHS, NHRS, NR-180, NH-180		3/61 on	1	TT8800-170P	or	TT8800-180P	TTG65+ TTG20U
NHE-180, NH-195, NHE-195, NH-200, NH-220		3/61 on	1	TT8800-170P	or	TT8800-180P	TTG65+ TTG20U
NHE-220, NHE-225, NHF-240, NH-230, NH-250		3/61 on	1	TT8800-170P	or	TT8800-180P	TTG65+ TTG20U
NHC-250, NHCT-270		3/61 on	1	TT8800-170P	or	TT8800-180P	TTG65+ TTG20U
NHH Series: 4 & 6 cyl.	B, BI Type	to 1/55	2	TT2-170	or	TT2-180	TTG20U
NHH, NHHS, NHHRS, NHHRT, NHHRT, NHHRT, NHHRT		to 1/55	2	TT2-170	or	TT2-180	TTG20U
NHHTO, NHH-180, NHH-220		to 1/55	2	TT2-170	or	TT2-180	TTG20U
NHH Series: 4 & 6 cyl.	B, BI Type	3/61 on	1	TT8800-170P	or	TT8800-180P	TTG65+ TTG20U
NHH, NHHS, NHHRS, NHHRT, NHHRT, NHHRT, NHHRT		3/61 on	1	TT8800-170P	or	TT8800-180P	TTG65+ TTG20U
NHHTO, NHH-180, NHH-220		3/61 on	1	TT8800-170P	or	TT8800-180P	TTG65+ TTG20U
C, H, J,N,NH, NHH Series	Engines built to Military specification	1/55 -3/61	1	TT8800-170P	or	TT8800-180P	TTG65+ TTG20U
NTA-360, NTA-370, NTA-400, NTA-420, NTA-844			2	TT8800-170P	or	TT8800-180P	TTG65+ TTG20U
NVH Series: 12 cyl.	BI, CI, I, G Type	3/61 on	2	TT8800-170P	or	TT8800-180P	TTG65+ TTG20U
NVH, NVHS, NVH-450		3/61 on	2	TT8800-170P	or	TT8800-180P	TTG65+ TTG20U
K Series: KT-450, KT-1150, KTA-1150			2	TT8800-170P	or	TT8800-180P	TTG65+ TTG20U
K Series: KT-2300, KTA-2300			4	TT8800-170P	or	TT8800-180P	TTG65+ TTG20U
V/12 Series and NVH Series	Engines built to Military specification	1/55 -3/61	2	TT8800-170P	or	TT8800-180P	TTG65+ TTG20U

Make and Model	Model Comments	Year	Qty per Engine	Thermostat Part No. Suggested Temperatures*			Gasket Part No.
CUMMINS - Diesel Engines cont.							
V8R-180CI, V8-185CI, V6-200CI, V8-240CI			2	TT8800-170P	or	TT8800-180P	TTG65+ TTG20U
V8-265CI, V8-265IP, V8-555, VT-555, VTF-555			2	TT8800-170P	or	TT8800-180P	TTG65+ TTG20U
V12-400CI			2	TT8800-170P	or	TT8800-180P	TTG65+ TTG20U
V8-350B, V8-350BI, V8-350CI, V8-350IP, VT6-430B			2	TT8400-180P	or	TT8400-180P	TTG67+ TTG20U
VT8-430BI, VT8-430CI, VT8-430IP, V8-460BI			2	TT8400-180P	or	TT8400-180P	TTG67+ TTG20U
V903, VT903, VT903M			2	TT8800-170P	or	TT8800-180P	TTG65+ TTG20U
V12-522BI, V12-525CI, V12-625G, V12-550BI			2	TT8800-170P	or	TT8800-180P	TTG65+ TTG20U
VT12-600G, VT12-700BI, VT12-700CI			2	TT8800-170P	or	TT8800-180P	TTG65+ TTG20U
VT12-700I, VT12-700G			2	TT8800-170P	or	TT8800-180P	TTG65+ TTG20U
N Series: 4 & 6 cyl.	B, BI, CI, I, IP, P, G Type	to 1/55	2	TT2-170	or	TT2-180	TTG20U
NFT, NRT, NRTO, NT, NTC, NTE, NTO		to 1/55	2	TT2-170	or	TT2-180	TTG20U
NT-185, NT-180, NT-200, NTC-230, NTE-235		to 1/55	2	TT2-170	or	TT2-180	TTG20U
NT-280, NT-300, NT-310, NT-335, NTC-250		to 1/55	2	TT2-170	or	TT2-180	TTG20U
NTC-290, NTC-335, NTC-350, NTC-370, NT-380		to 1/55	2	TT2-170	or	TT2-180	TTG20U
NTC-400, NT-420, NT-855, N-927		to 1/55	2	TT2-170	or	TT2-180	TTG20U
Power Torque 270, 300D formula 230, 250, 270, 290		to 1/55	2	TT2-170	or	TT2-180	TTG20U
N Series: 4 & 6 cyl.	B, BI, CI, I, IP, P, G Type	3/61 on	1	TT8800-170P	or	TT8800-180P	TTG65+ TTG20U
NFT, NRT, NRTO, NT, NTC, NTE, NTO		3/61 on	1	TT8800-170P	or	TT8800-180P	TTG65+ TTG20U
NT-185, NT-180, NT-200, NTC-230, NTE-235		3/61 on	1	TT8800-170P	or	TT8800-180P	TTG65+ TTG20U
NT-280, NT-300, NT-310, NT-335, NTC-250		3/61 on	1	TT8800-170P	or	TT8800-180P	TTG65+ TTG20U
NTC-290, NTC-335, NTC-350, NTC-370, NT-380		3/61 on	1	TT8800-170P	or	TT8800-180P	TTG65+ TTG20U
NTC-400, NT-420, NT-855, N-927		3/61 on	1	TT8800-170P	or	TT8800-180P	TTG65+ TTG20U
Power Torque 270, 300D formula 230, 250, 270, 290		3/61 on	1	TT8800-170P	or	TT8800-180P	TTG65+ TTG20U
NH Series: 4 & 6 cyl.	B, BI, CI, I, IP, P, G Type	to 1/55	2	TT2-170	or	TT2-180	TTG20U
NH, NHC, NHE, NHS, NHRS, NR-180, NH-180		to 1/55	2	TT2-170	or	TT2-180	TTG20U
NHE-180, NH-195, NHE-195, NH-200, NH-220		to 1/55	2	TT2-170	or	TT2-180	TTG20U
NHE-220, NHE-225, NHF-240, NH-230, NH-250		to 1/55	2	TT2-170	or	TT2-180	TTG20U
NHC-250, NHCT-270		3/61 on	1	TT8800-170P	or	TT8800-180P	TTG65+ TTG20U
NH, NHC, NHE, NHS, NHRS, NR-180, NH-180		3/61 on	1	TT8800-170P	or	TT8800-180P	TTG65+ TTG20U
NHE-180, NH-195, NHE-195, NH-200, NH-220		3/61 on	1	TT8800-170P	or	TT8800-180P	TTG65+ TTG20U
NHE-220, NHE-225, NHF-240, NH-230, NH-250		3/61 on	1	TT8800-170P	or	TT8800-180P	TTG65+ TTG20U
NHH Series: 4 & 6 cyl.	B, BI Type	to 1/55	2	TT2-170	or	TT2-180	TTG20U
NHH, NHHS, NHHRS, NHHRT, NHHRTO, NHHT		to 1/55	2	TT2-170	or	TT2-180	TTG20U
NHHTO, NHH-180, NHH-220		to 1/55	2	TT2-170	or	TT2-180	TTG20U
NHH Series: 4 & 6 cyl.	B, BI Type	3/61 on	1	TT8800-170P	or	TT8800-180P	TTG65+ TTG20U
NHH, NHHS, NHHRS, NHHRT, NHHRTO, NHHT		3/61 on	1	TT8800-170P	or	TT8800-180P	TTG65+ TTG20U
NHHTO, NHH-180, NHH-220		3/61 on	1	TT8800-170P	or	TT8800-180P	TTG65+ TTG20U
C, H, J,N,NH, NHH Series	Engines built to Military specification	1/55 -3/61	1	TT8800-170P	or	TT8800-180P	TTG65+ TTG20U
NTA-360, NTA-370, NTA-400, NTA-420, NTA-844			2	TT8800-170P	or	TT8800-180P	TTG65+ TTG20U
NVH Series: 12 cyl.	9BI, CI, I, G Typer	3/61 on	2	TT8800-170P	or	TT8800-180P	TTG65+ TTG20U

*Note: Last 3 numbers indicate opening temperature in °F. As climate may vary, refer to manufacturer's manual for correct temperature. Refer to pages 94 - 126 for alternate temperatures.

Heavy Vehicle Application List

Make and Model	Model Comments	Year	Qty per Engine	Thermostat Part No. Suggested Temperatures*			Gasket Part No.
CUMMINS - Diesel Engines cont.							
NVH, NVHS, NVH-450		3/61 on	2	TT8800-170P	or	TT8800-180P	TTG65+ TTG20U
K Series: KT-450, KT-1150, KTA-1150			2	TT8800-170P	or	TT8800-180P	TTG65+ TTG20U
K Series: KT-2300, KTA-2300			4	TT8800-170P	or	TT8800-180P	TTG65+ TTG20U
V/12 Series and NVH Series	Engines built to Military specification	1/55 -3/61	2	TT8800-170P	or	TT8800-180P	TTG65+ TTG20U
V8R-180CI, V8-185CI, V6-200CI, V8-240CI			2	TT8800-170P	or	TT8800-180P	TTG65+ TTG20U
V8-265CI, V8-265IP, V8-555, VT-555, VTF-555			2	TT8800-170P	or	TT8800-180P	TTG65+ TTG20U
V12-400CI			2	TT8800-170P	or	TT8800-180P	TTG65+ TTG20U
V8-350B, V8-350BI, V8-350CI, V8-350IP, VT6-430B			2	TT8400-180P	or	TT8400-180P	TTG67+ TTG20U
VT8-430BI, VT8-430CI, VT8-430IP, V8-460BI			2	TT8400-180P	or	TT8400-180P	TTG67+ TTG20U
V903, VT903, VT903M			2	TT8800-170P	or	TT8800-180P	TTG65+ TTG20U
V12-522BI, V12-525CI, V12-625G, V12-550BI			2	TT8800-170P	or	TT8800-180P	TTG65+ TTG20U
VT12-600G, VT12-700BI, VT12-700CI			2	TT8800-170P	or	TT8800-180P	TTG65+ TTG20U
VT12-700I, VT12-700G			2	TT8800-170P	or	TT8800-180P	TTG65+ TTG20U
DAF							
Engines							
DE 385, BA475, BB475, DA475		73-on	1	TT230-180		-	TTG20U
DD475, DD575, DF615, DT615		73-on	1	TT230-180		-	TTG20U
DH825, DBH825, DU825			1	TT230-180		-	TTG20U
DK1160 (212 PS), DKA1160 (230 PS)			1	TT230-180		-	TTG20U
DKD1160, DKDL1260, DKDX1260			1	TT230-180		-	TTG20U
DHS825, DHT825, DHTD826			1	TT248-170		-	TTG20U
DKA1160 (260 PS), DKL1160 (205 PS)			1	TT248-170		-	TTG20U
DKS1160 (320 PS), DKS1160 E (280 PS)			1	TT248-170		-	TTG20U
DKT1160 (290 PS), DKTD1160			1	TT248-170		-	TTG20U
DKX1160 (330 PS), DKTD2160, D2800			1	TT248-170		-	TTG20U
Type 95			1	TT8800-170P	or	TT8800-180P	TTG65+ TTG20U
Trucks							
FA 700 DE			1	TT230-180		-	TTG20U
FA 900DE, DD, DT, BDT			1	TT230-180		-	TTG20U
FA 1200 DA, DD, DF, DT 1200 DF			1	TT230-180		-	TTG20U
FA 1300 DF			1	TT230-180		-	TTG20U
FA 1400 DF, DT, FT 1400 DF, DT			1	TT230-180		-	TTG20U
F 1600, FA 1600 DF, DT, DTD, DSD			1	TT230-180		-	TTG20U
FT 1600 DF, DT			1	TT230-180		-	TTG20U
FA 1800 DT, FAV 1800 DT			1	TT230-180		-	TTG20U
F 2000, FA 2000 DH, DHB			1	TT230-180		-	TTG20U
FM 2000 DH, FT 2000 DH, DHB			1	TT230-180		-	TTG20U
FA 2100 DH, DHT, DHTD			1	TT248-180		-	TTG31
FA 2150 DHT, DHTD			1	TT248-180		-	TTG31
FA 2200 DU, FAR 2200 DU			1	TT230-170	or	TT230-180	TTG20U
FAT 2200DU			1	TT230-170	or	TT230-180	TTG20U
FMT 2200 DU, FT 2200 DU			1	TT230-170	or	TT230-180	TTG20U
FAZ 2205 DU			1	TT230-170	or	TT230-180	TTG20U
FA 2300 DHT, FT 2300 DHT			1	TT248-170	or	TT248-180	TTG31
FAG 2305 DHT, FAT 2335 DHT			1	TT248-170	or	TT248-180	TTG31
A 2400 KD-420			1	TT230-170	or	TT230-180	TTG20U
AS 2400 DK-505/548			1	TT230-170	or	TT230-180	TTG20U
ATE 2400 DK-484			1	TT230-170	or	TT230-180	TTG20U
T 2400 DK-335/370			1	TT230-170	or	TT230-180	TTG20U
V 2400 DK-430			1	TT230-170	or	TT230-180	TTG20U
FA 2500 DHS, FT 2500 DHS			1	TT248-170	or	TT248-180	TTG31
FAR 2500 DHS			1	TT248-170	or	TT248-180	TTG31
FAG 2505 DHS			1	TT248-170		-	TTG31

Make and Model	Model Comments	Year	Qty per Engine	Thermostat Part No. Suggested Temperatures*			Gasket Part No.
DAF - Truck cont.							
FAT 2525 DHS			1	TT248-170		-	TTG31
AS 2600 DKA-410			1	TT230-180		-	TTG20U
AT 2600 DKA-460			1	TT230-180		-	TTG20U
FA 2600 DK/DKA			1	TT230-180		-	TTG20U
FAS 2500 DK/DKA			1	TT230-180		-	TTG20U
FAT 2600 DKA			1	TT230-180		-	TTG20U
FT 2600 DK/DKA			1	TT230-180		-	TTG20U
FTS 2600 DK/DKA			1	TT230-180		-	TTG20U
FTT 2600 DKA			1	TT230-180		-	TTG20U
P 2600 DKA-310/380			1	TT230-180		-	TTG20U
PS 2600 DKA-310			1	TT230-180		-	TTG20U
TT 2600 DKA-350			1	TT230-180		-	TTG20U
FA 2800, FA 2800 DKS, DKSE, DKTD			1	TT248-180		-	TTG31
FAR 2800 DKS, DKSE, DKTD			1	TT248-180		-	TTG31
FAT 2800 DKS. DKTD			1	TT248-180		-	TTG31
FTR 2600 DKS, DKTD			1	TT248-180		-	TTG31
FTT 2800 DKS, DKTD			1	TT248-180		-	TTG31
FT 2805 DKSE, DKTD			1	TT248-180		-	TTG31
FA 3300 DKX, FT 3300 DKX			1	TT248-180		-	TTG31
FAR 3300 DKX			1	TT248-180		-	TTG31
FT 3305 DKX			1	TT248-180		-	TTG31
FAT 3325 DKX, FTT 3325 DKX			1	TT248-180		-	TTG31
FTT 3328 DKX			1	TT248-170		-	TTG31
DIAMOND T							
DT and XL			1	TT2-180		-	TTG20U
DIVCO							
Serial No. before 62500			1	TT1-180		-	TTG20U
40B, 40C, 50C, 50D, 70B			1	TT2-180		-	TTG20U
40E, 40F, 50E, 50F, 70C, 70D, 200C			1	TT2-180		-	TTG20U
206C, 206D, 306D, 306F			1	TT2-180		-	TTG20U
DODGE							
Diesel Engines							
5.9L	Cummins	89-93	1	TT233-180		-	TTG20U
MMC 243		78-86	1	TT228-180		-	TTG9
8 Cyl. 672, 743 eng.	with water Manifold		2	TT2-180		-	-
Petrol Engines – 6 Cylinder:							
All		69-on	1	TT1-180		-	TTG9
170, 225	cu. in. eng.	61-68	1	TT1-180		-	TTG9
251	cu. in. eng.	60-82	1	TT2-180		-	TTG36
230	cu. in. eng.	57-60	1	TT2-180		-	TTG36
B1, B2, B3, B4 Series							
B2, B3, B4 Series	after Ser. No. 13721560	50-56	1	TT2-180		-	TTG36
1/2, 3/4 Ton B, C	after eng. No. T172-100902	50-53	1	TT2-180		-	TTG36
1 Ton D		50-53	1	TT2-180		-	TTG36
13/4 through 4 Ton R.T.V.Y		48-53	1	TT2-180		-	TTG36
C1 and C3 Series							
1/2 through 1 1/2 Ton	Models B, C, D, F	50-56	1	TT2-180		-	TTG36
2 through 4 Ton	Model Y	54-56	1	TT2-180		-	TTG36
K, L, M, P Series							
1/2. 3/4 Ton 100, 170, 200, 225		61-68	1	TT1-180		-	TTG9
1. 1 1/2 2 Ton 300, 400, 500 with 225 engines		61-68	1	TT1-180		-	TTG9
1. 1 1/2 2 Ton 300, 400, 500 with 251 engines		61-68	1	TT2-180		-	TTG36
1/2. 3/4 Ton 100, 200		57-60	1	TT2-180		-	TTG36
300 except W300		58-60	1	TT2-180		-	TTG36
1 1/2 Ton 400 with forward control		58-60	1	TT2-180		-	TTG36
Petrol Engines – 8 Cylinder							
All		79-88	1	TT1-180		-	TTG9
All	exc. 361, 413 cu. in. eng.	69-78	1	TT2-180		-	TTG36
All		61-68	1	TT2-180		-	TTG36
C1, C3 Series							
1/2 through 2 1/2 Ton B, C, D, F, G, J, K		54-56	1	TT2-180		-	TTG36

*Note: Last 3 numbers indicate opening temperature in °F. As climate may vary, refer to manufacturer's manual for correct temperature. Refer to pages 94 - 126 for alternate temperatures.

Heavy Vehicle Application List

Make and Model	Model Comments	Year	Qty per Engine	Thermostat Part No. Suggested Temperatures*			Gasket Part No.
DODGE cont.							
K, L, M, P Series							
1/2 through 2 1/2 Ton 100, 200, 300, 400, 500, 600		58-60	1	TT2-180		-	TTG36
3 through 5 Ton 700, 800, 900, 1000		60-84	1	TT2-180		-	TTG36
R, RR, S Series							
1/2 through 5 Ton 100 through 1000		61-77	1	TT2-180		-	TTG36
FEDERAL							
With Continental engines 22R, 674, T671, B6427			1	TT2-180		-	TTG20U
With Hercules JXE3 engines			1	TT2-180		-	TTG20U
FERGUSON							
All		55-57	1	TT1-180		-	TTG20U
FIAT - Allis							
AD4, AD14, AD14B, AD20			1	TT230-174	or	TT230-180	TTG29U
BD14, BD20			1	TT230-174	or	TT230-180	TTG29U
FA120, FA200			1	TT230-174	or	TT230-180	TTG29U
FB7, FB7B, FB7CM, FD5, FD9, FE12, FE12R, FE14			1	TT230-174	or	TT230-180	TTG29U
FE16, FE18, FE18R, FL4, FL4C, FL4D, FL4L, FL4N			1	TT230-174	or	TT230-180	TTG29U
FL5, FL7, FL14, FL14B, FL14C, FR7, FR9, FR10			1	TT230-174	or	TT230-180	TTG29U
FR10B, FR12, FR12B, FR12C			1	TT230-174	or	TT230-180	TTG29U
65B, 4, 14C, 20, 545B, 605B			1	TT230-174	or	TT230-180	TTG29U
S15, S15B, S15B.HD, S15B.LC, S60			1	TT230-174	or	TT230-180	TTG29U
FL20 - FD20			1	TT235-180		-	-
AD12 - B12 - BD12 - BD12L - FL12			1	TT289-174P		-	-
AD18 - BD18			1	TT289-174P		-	-
FD30 - FD30B - FR35			1	TT248-174		-	TTG31
AD12, AD12L, AD18, BD12, BD12L, BD18, FL12			1	TT8800-180P		-	TTG65+ TTG20U
AD5, AD6, AD7, FL6, FL7.1, FL8			1	TT230-174	or	TT230-180	TTG29U
FIAT (Engines)							
203, 213, 220, 221, 230			1	TT289-174P		-	-
8220, 12			1	TT278-180		-	-
FIAT (Tractors)							
55.46, 55.46DT, 65.46, 65.46DT			1	TT230-174	or	TT230-180	TTG29U
80.46E, EDT			1	TT230-174	or	TT230-180	TTG29U
85.55C, 95.55C			1	TT230-174	or	TT230-180	TTG29U
55.65C, 55.65CM, 70.65C			1	TT230-174	or	TT230-180	TTG29U
45.66, 45.66DT			1	TT230-174	or	TT230-180	TTG29U
55.66, 55.66DT, LP, F, V, DTF			1	TT230-174	or	TT230-180	TTG29U
70.66, 70.66DT, LP, F, DTF, DTPL			1	TT230-174	or	TT230-180	TTG29U
80.66, 80.66DT			1	TT230-174	or	TT230-180	TTG29U
55.90, 55.90DT, 60.90, 60.90DT, 70.90, 70.90DT			1	TT230-174	or	TT230-180	TTG29U
80.90, 80.90DT, 90.90, 90.90DT, 100.90, 100.90DT			1	TT230-174	or	TT230-180	TTG29U
115.90, 115.90DT, 130.90 Turbo, 130.90DT Turbo			1	TT230-174	or	TT230-180	TTG29U
140.90 Turbo, 140.90DT Turbo			1	TT230-174	or	TT230-180	TTG29U
250.90C - 255.90C, 300, 300DT			1	TT230-174	or	TT230-180	TTG29U
350, 350.91C, 350DT, 355C, 355.91C			1	TT230-174	or	TT230-180	TTG29U
420, 420DT, 450.90C, 450.93C			1	TT230-174	or	TT230-180	TTG29U
455.90C, 455C Super, 460, 460DT, 465C			1	TT230-174	or	TT230-180	TTG29U
466, 466DT - 470, 470DT Super			1	TT230-174	or	TT230-180	TTG29U
480, 480.90C, 480.8, 480.8DT			1	TT230-174	or	TT230-180	TTG29U
500, 500DT, 500S - 505C, 505C, Super			1	TT230-174	or	TT230-180	TTG29U
540, 540.90C, 540DT, 540S, 550.90C - 556			1	TT230-174	or	TT230-180	TTG29U
555.90C, 565C - 566, 566DT			1	TT230-174	or	TT230-180	TTG29U
570, 570DT, 570V, 570F, 570DTF			1	TT230-174	or	TT230-180	TTG29U
580, 580DT, 600, 600DT - 605S			1	TT230-174	or	TT230-180	TTG29U
640, 640.90, 640DT, 655, 655C, 666			1	TT230-174	or	TT230-180	TTG29U
666DT - 670DTF, 680, 680DT - 765C			1	TT230-174	or	TT230-180	TTG29U
766, 766DT - 780, 780.90, 780DT			1	TT230-174	or	TT230-180	TTG29U
855 - 880 - 900.91C - 955C Super			1	TT230-174	or	TT230-180	TTG29U

Make and Model	Model Comments	Year	Qty per Engine	Thermostat Part No. Suggested Temperatures*			Gasket Part No.
FIAT (Tractors) cont.							
980, 980DT			1	TT230-174	or	TT230-180	TTG29U
1000, 1000.90C, 1000DT Super, 1000S, 1000DTS			1	TT230-174	or	TT230-180	TTG29U
1180, 1180DT - 1280, 1280DT, 1380, 1380DT			1	TT230-174	or	TT230-180	TTG29U
A40 / A40DT / A65 / A65DT / A90 / A90DT			1	TT230-174	or	TT230-180	TTG29U
A100 / A100DT / A140 / A140DT			1	TT230-174	or	TT230-180	TTG29U
45.66 / 45.66DT / 55.66 / 55.66DT - LP - F - V - DTF			1	TT230-174	or	TT230-180	TTG29U
70.66 / 79.66DT / LP - F - DT - DTLP, 80.66 / 80.66DT			1	TT230-174	or	TT230-180	TTG29U
55.46 / 55.46DT, 56.46 / 56.46D, 85.55C / 95.55C			1	TT230-174	or	TT230-180	TTG29U
55.65C / 55.65CM / 70.65C / 80.46E - EDT,			1	TT230-174	or	TT230-180	TTG29U
C80.50 / C80.56 / C80.56M, 80.50V - F - DT / 80.65C			1	TT230-174	or	TT230-180	TTG29U
80.66E - EDT, C80.66 / C80.66M, R80.70F / R80.70DTF			1	TT230-174	or	TT230-180	TTG29U
80.79 Special -N -L, 80.76E - EDT / C80.76, 55.90			1	TT230-174	or	TT230-180	TTG29U
55.90DT / 60.90 / 60.90DT / 70.90 / 70.90DT			1	TT230-174	or	TT230-180	TTG29U
80.90 / 80.90DT / 90.90 / 90.90DT / 100.90			1	TT230-174	or	TT230-180	TTG29U
100.90DT / 115.90 / 115.90DT, 130.90 Turbo			1	TT230-174	or	TT230-180	TTG29U
130.90DT Turbo, 140.90 Turbo / 140.90DT Turbo			1	TT230-174	or	TT230-180	TTG29U
250, 255, 350, 355C, 400, 450, 455Cl, 500, 505C, 550			1	TT231-180	or	TT231-192	TTG29U
555, 600, 605C, 1000, AD4, FL4, FL4C, FL14, TL5			1	TT231-180	or	TT231-192	TTG29U
615, 700C, 715C			1	TT230-174	or	TT230-180	TTG29U
70C			1	TT230-174	or	TT230-180	TTG29U
211, 220, 221, 231, 241, 251, 411, 421, 431, 441, 451			1	TT1-180		-	TTG29U
Series 415, Series Diamante 425			1	TT1-180		-	TTG29U
FORD							
Petrol Engines – 6 Cylinder							
B, C, F, N 550-600	300 cu. in. HD	65-84	1	TT244-180		-	TTG6
B, C, F, N, P100-600	240,300cu.in.exc300HD	65-84	1	TT242-192		-	TTG6
E100, P100	144, 170, 200 cu. in.	64-84	1	TT242-192		-	TTG6
E100, P100	144, 170, 200 cu. in.	61-63	1	TT1-180		-	TTG9
F1 thru F6, B,C,F,N, P100-600	215,223,262 cu.in	52-64	2	TT2-180		-	-
F6, B,C, F600, F700	254 cu. in.	50-53	1	TT2-180		-	TTG61
Petrol Engines – 8 Cylinder							
429, 370 cu. in.		79-94	2	TT225-180		-	TTG20U
360, 390 cu. in.		68-81	1	TT1-180		-	TTG13
330HD, 359, 361HD, 391HD, 389, M450-500 w/460cu.in		71-80	1 or 2	TT225-180		-	TTG64
B, C, CT, F, N, T500-800	330, 361, 391 cu. in.	64-72	1	TT2-195		-	TTG36
F100-350	352 cu. in.	65-68	1	TT2-195		-	TTG36
B, C, F, N, P, T100-700	239, 256, 272, 292 cu. in.	54-64	1	TT2-180		-	TTG37
8 Cyl. F7, F8, B, C, CT, F, N, T700-900 Series	279,302,317,332 cu.in	52-63	1	TT218-180		-	Inc.
Diesel Engines							
5.9L (360 cu. in.)	Cummins eng.	92-93	1	TT233-180		-	TTG61
6.6L, 7.8L		86-94	1	TT228-180		-	TTG34/20U
7.5L		83-93	1	TT244-180		-	TTG20U
7.3L		83-93	1	TT244-180		-	TTG62
6.9L		83-88	1	TT1-180		-	TTG9
8.2L		80-87	1	TT266-180		-	TTG20U
4 cyl. Series P350/500	220, 242 cu. in.	63-86	1	TT1-180		-	TTG9
6 cyl. Series C, N600/700	330, 363 cu. in.	62-86	1	TT1-180		-	TTG9
L4-2.2L Ranger, L4-2.3L		83-88	1	TT228-180		-	TTG34/20U

*Note: Last 3 numbers indicate opening temperature in °F. As climate may vary, refer to manufacturer's manual for correct temperature. Refer to pages 94 - 126 for alternate temperatures.

Heavy Vehicle Application List

Make and Model	Model Comments	Year	Qty per Engine	Thermostat Part No. Suggested Temperatures*			Gasket Part No.
FORD cont.							
Tractors (Petrol and Diesel)							
500, 600, 700, 750, 800, 900, 1800, 2000, 2100, 3000		53-93	1	TT1-180		-	TTG20U
3400, 3500, 4000, 4100, 4400, 4500, 5000, 6000		53-93	1	TT1-180		-	TTG20U
7000, 8000, 9000 Series		53-93	1	TT1-180		-	TTG20U
Loaders (Petrol and Diesel)							
712, 720, 724, 725, 730, 740			1	TT1-180		-	TTG20U
Engines (Petrol and Diesel)							
V-4 92, V-4 104, V-3 158, V-3 201, V-4 256, V-172			1	TT1-180		-	TTG20U
3-175, 4-192, 6-362, 6-380, 134 G, 144 D			1	TT1-180		-	TTG20U
FORD (G)							
FT 2.5L Diesel		61-on	1	TT242-180	or	TT242-192	TTG29U
FK 1000, 1250, (1.5L)		59-65	1	TT1-180		-	TTG29U
TT 800, 1000, 1250, 1500			1	TT1-180		-	TTG29U
FT600, 900, 1000, 1100, 1300, 1500, 1750		65-70	1	TT4-185		-	TTG29U
V-4 Eng.			1	TT4-185		-	TTG29U
FT 9, 12, 15, 75, 100, 100L, 125, 130, 150		71-89	1	TT4-185		-	TTG29U
FT 175, 190, (1.5L), (1.7L), V4 eng.			1	TT4-185		-	TTG29U
FT 80, 100, 100L, 120, 130, 160, 190			1	TT4-185		-	TTG29U
Bus FT 100, 130 (1.6L), (1.8L), (2.0L), OHC eng.			1	TT4-185		-	TTG29U
FT 9, 12, 15, 75, 100, 100L, 125	2.4L Diesel eng.		1	TT1-180		-	TTG29U
FT 130, 150, 160, 175, 190	2.4L Diesel eng.		1	TT1-180		-	TTG29U
Bus FT 100, 120, 130	2.4L Diesel eng.		1	TT1-180		-	TTG29U
FT 125, 130, 150, 175, 190	3.0L V6		1	TT1-180		-	TTG29U
Bus FT 130	3.0L V6		1	TT1-180		-	TTG29U
A 0406, 0506			1	TT1-180		-	TTG29U
A 0509, 0609			1	TT272-180		-	TTG29U
A 0510, 0610			1	TT1-180		-	TTG29U
D/N 0708, 0808, 0810, 0812, 0814, 0910			1	TT1-180		-	TTG29U
D/N 1114, 1414			1	TT1-180		-	TTG29U
D/NA 2214			1	TT1-180		-	TTG29U
FORD (GB)							
A Series Petrol							
A307, A310, A407, A410, A507, A510, A610		73-on	1	TT1-192		-	TTG29U
A Series Diesel							
A306, A406, A506, A606		73-on	1	TT1-167	or	TT1-180	TTG29U
D507, D607, D707, D807, D907, D1007	4.2L eng.		1	TT1-180		-	TTG29U
D610, D710, D810, D910, D1010, D1110, D1210	6.0L eng 2 Types Required		2	TT1-180	plus	TT272-180	TTG29U
DT1310, DA1610, DA1710	6.0L eng 2 Types Required		2	TT1-180	plus	TT272-180	TTG29U
D1211, D1311, D1411, DT1311, DT1711, DA1911, DA2011	6.2L eng 2 Types Required		2	TT1-180	plus	TT272-180	TTG29U
D1214, D1314, D1414, D1614	5.9L eng 2 Types Required		2	TT1-180	plus	TT272-180	TTG29U
D2014, DT2214, DA2014, DA2214	5.9L eng 2 Types Required		2	TT1-180	plus	TT272-180	TTG29U
D1614, D1616, D1617, D1618, DT2417, DT2418			1	TT1-180		-	TTG29U
DA2417, DA2418, DA2817, DA2818	V8.510 and V8 .540, Perkins eng.		1	TT1-180		-	TTG29U
Dexter, Super Dexter	Diesel	57-64	1	TT1-180		-	TTG29U
Dexter 2000, Super Dexter 3000		64-on	1	TT1-167	or	TT1-180	TTG29U
K Series N/C	Petrol & Diesel	65-on	1	TT1-180		-	TTG29U
M Series Clearway	Petrol & Diesel	65-67	1	TT1-180		-	TTG29U
K Series N/C	Petrol & Diesel	65-on	1	TT1-180		-	TTG29U
M Series Clearway	Petrol & Diesel	65-67	1	TT1-180		-	TTG29U
R Series Passenger	Petrol & Diesel	65-on	1	TT1-180		-	TTG29U
Transcontinental	Cummins, NTC 335, NTC 335E, NTC 290E Eng.		1	TT8800-170P	or	TT8800-180P	TTG65 + TTG20U
R1011, R1111 (6.2L Eng.)	2 Types Required Non Bypass plus one Bypass		2	TT1-180	plus	TT272-180	TTG29U +TTG28
R1014, R1114 (5.9L Eng.)	2 Types Required Non Bypass plus one Bypass		2	TT1-180	plus	TT272-180	TTG29U +TTG28
Cargo	2 Types Required Non Bypass plus one Bypass		2	TT1-180	plus	TT272-180	TTG29U +TTG28

Make and Model	Model Comments	Year	Qty per Engine	Thermostat Part No. Suggested Temperatures*		Gasket Part No.
FORDSON						
Dexter 2000, Super Dexter 3000		64-86	1	TT1-180	-	-
Major tractor	Petrol and Diesel	52-64	1	TT1-180	-	-
Dexter, Super Dexter	Diesel	57-64	1	TT1-180	-	-
Major 4000, Super Major 4000			1	TT1-180	-	-
FWD						
Trucks (Highway) – 4 x 4						
B4-1112, B4-1115, B4-2112, B4-2116, B4-3115			1	TT2-180	-	TTG20U
B4-3216, B4-3317, B4-4100, B4-4200, CF4-2114			1	TT2-180	-	TTG20U
CF4-2115, CF4-2116, CF4-3200			1	TT2-180	-	TTG20U
Trucks (Highway) – 6 x 6						
B6-2100, B6-2200, B6-2300, B6-LB6-3100			1	TT2-180	-	TTG20U
B6-LB6-3200, B6-LB6-3300, B6-4100, B6-4200, B6-4300			1	TT2-180	-	TTG20U
Trucks (Highway) – 8 x 6						
LB86-3317P, LB86-3317T			1	TT2-180	-	TTG20U
Trucks (Highway) – 8 x 4						
LB86-4317P, LB86-P			1	TT2-180	-	TTG20U
Trucks (Off Highway) – 6 x 6						
B6-5117, B6-5217, B6-5317, B6-6200, B6-6300			1	TT2-180	-	TTG20U
GMC						
Petrol Engines						
4.3L, 4.8L, 5.0L, 5.7L, 7.4L		85-94	1	TT1-180	-	TTG9
6.0L, 7.0L (366, 422 cu. in.) V8		66-96	2	TT224-180	-	-
2.5L		85-86	1	TT228-180	-	TTG9
1.9L		82-88	1	TT1-180	-	TTG9
2.8L		82	1	TT4-180	-	TTG15
All 4 straight 6 and V8	exc. 318 To 637 cu. in.	63-84	1	TT1-180	-	TTG9
All V6 and 637 cu. in. V8 eng.	exc. 366, 427cu.in	60-84	2	TT1-180	-	TTG9
702 cu. in. V12 eng.			1	TT1-180	-	-
60-80, 600-800 Series w/366 cu. in.		66-68	2	TT244-180	-	-
Diesel Engines						
6.5L (F) (P) (S).		92-94	1	TT332-195	-	-
D351, D478, DH478, D637, DH637 eng.		61-on	1	TT1-180	-	-
6.2L, 6.2 (J)		82-93	1	TT2-180	-	TTG36
5.7L	350 cu. in.	76-87	1	TT1-180	-	TTG10
2-51, 4-51, 3-53, 3-43N, 4-53N, 4-53T, 2-71			1	TT1-180	-	-
8.2L.		80-on	2	TT266-180	-	TTG20U
GM DIESEL (Detroit Diesel Div.)						
6.2L		82-on	1	TT2-180	-	TTG36
8.2L		80-93	1	TT266-180	-	-
2-51, 4-51, 2-53, 3-53, 3-53N			1	TT219-180	-	TTG20U
4-53, 4-53N, 4-53T (inline), 2-71			1	TT219-180	-	TTG20U
6V-53 (Early)			2	TT219-180	-	TTG20U
6V-53 (Late), 6V-53N, 8V-53, 8V-53N			1	TT8400-170P or TT8400-180P		TTG20U
6V-71, 6V-71N, 6V-71NE, 8V-71, 8V-71N, 8V-71NE	Except in coach model 7000 and in GMC trucks / coaches 1964 on		2	TT8800-170P or TT8800-180P		TTG65+ TTG20U
12V-71, 12V-71N, 16V-71, 16V-71N, 16V-71T			4	TT8800-170P or TT8800-180P		TTG65+ TTG20U
12V-71 Twin, 12V-71N Twin, 16V-71 Twin			8	TT8800-170P or TT8800-180P		TTG65+ TTG20U
16V-71N Twin, 16V-71T Twin			8	TT8800-170P or TT8800-180P		TTG65+ TTG20U
16V-149			6	TT8800-170P or TT8800-180P		TTG65+ TTG20U
6-110	Eng. #6B17256 and after		2	TT8800-170P or TT8800-180P		TTG65+ TTG20U
6-110 Twin	after eng. #6B17256		4	TT8800-170P or TT8800-180P		TTG65+ TTG20U
HANOMAG						
Engines						
D 14, D 21, D 28			1	TT218-180	-	-
D 28 CL, #28 GLA, D 28 ALAS			1	TT248-167 or TT248-180		TTG31

*Note: Last 3 numbers indicate opening temperature in °F. As climate may vary, refer to manufacturer's manual for correct temperature. Refer to pages 94 - 126 for alternate temperatures.

Heavy Vehicle Application List

Make and Model	Model Comments	Year	Qty per Engine	Thermostat Part No. Suggested Temperatures*			Gasket Part No.
HANOMAG – Engines cont.							
D 132, D 141 L, D 142 L, D 142 L1, D 142 L 2			1	TT248-167	or	TT248-180	TTG31
D 161 L, D 162 L			1	TT248-167	or	TT248-180	TTG31
D 301 E2			1	TT1-180		-	-
D 301 E2 BLMC-Austin Petrol			1	TT1-167	or	TT1-180	-
D 351		To-62	1	TT230-180		-	-
D 351		63-on	1	TT248-167	or	TT248-180	TTG31
Trucks							
Matador F 20, F 25, F 30, F 35, Diesel			1	TT1-167	or	TT1-180	TTG29U
B11C / K12D			1	TT293-167P		-	-
B11C / K12D	BLMC - Austin Petrol		1	TT1-167	or	TT1-180	-
Garant, Markant (351)		To-62	1	TT230-180		-	TTG29U
Garant, Markant, Kurier, AL 38 Z		63-on	1	TT248-167	or	TT248-180	TTG31
F 45, F 46, F 55, F 65, F 66, F 75			1	TT248-167	or	TT248-180	TTG31
F 76, F 85, F 86			1	TT248-167	or	TT248-180	TTG31
K 5 142, 144			1	TT248-167	or	TT248-180	TTG31
HENSCHEL							
Engines							
520 T, D 541, D 551, D 561, D 562			1	TT292-167P		-	-
524			1	TT248-167		-	TTG31
6R 1013, 6R 1013 AT, 6R 1013 VT			1	TT292-160P		-	-
6R 1112-16F, 6R 1112-16H, 6R 1112-17MF			1	TT292-167P		-	-
6R 1215, 6R 1215 FR			1	TT292-167P		-	-
Trucks							
HS12, HK, HAK, HKV, HAKV, TS, HS 14, TK 13, TT 13			1	TT292-167P		-	-
HS 15 TBM 13, HS 16 TBM, H 19, HS 20			1	TT292-167P		-	-
HS 12TL, HS 14TL, TK, HS 15, HAK, HA 16 TS, TK			1	TT292-167P		-	-
HAK, TAK, TBM, HS 22, HAK, TS, TK, TBM, TLN			1	TT292-167P		-	-
HS 26 HK, HS 34 TAK, HS 100, H 120, HS 120 T			1	TT292-167P		-	-
HS 95/91, HS 120 Lader			1	TT292-167P		-	-
HS 100, HS 120/T, F 122K/L/S/H, H122 AK/K			1	TT292-167P		-	-
F 131 L/S, F140 K/T, H140 AK, F150 L/M/BM			1	TT292-167P		-	-
F141/S, L, LOS, LMS, D, F150L, F151S, H151AK		9/69-on	1	TT248-167	or	TT248-180	TTG31
H161K, AK, F161K, SL, L, LL, S, BMLOS, LMS, LLOS		9/69-on	1	TT248-167	or	TT248-180	TTG31
LLMS, S2, AK, AS, F201S2, S2A, F221, LE, K, M		9/69-on	1	TT248-167	or	TT248-180	TTG31
T, LN, LEMS, LNOS, LNMS, LELOS, LELMS, LNLOS		9/69-on	1	TT248-167	or	TT248-180	TTG31
LNLM, S2AL, A-2A, 320AK, H221AK, H261AK		9/69-on	1	TT248-167	or	TT248-180	TTG31
F261AK, BM, 320AK		9/69-on	1	TT248-167	or	TT248-180	TTG31
HERCULES							
DIXE, DIXD, DIX4B, DIX4D, DOOB, DOOD			1	TT218-180		-	Inc.
DIX6D, DJXB, DJXC, DJXF, DJXH, DJXHF			1	TT218-180		-	Inc.
RX, RXL, DRXB, QXA3, QXC3, QXD3, QXLD3			1	TT218-180		-	Inc.
GO130, GO149, GO169, GO173			1	TT218-180		-	Inc.
GO198, GO226, GO260, GO298, GO339			1	TT218-180		-	Inc.
DD130, DD149, DD169, DD173, DD198			1	TT218-180		-	Inc.
DD226, DD260, DD298, DD339			1	TT218-180		-	Inc.
JXE3, JX3			1	TT2-180		-	TTG20U
D2000, G2000, D2300, G2300, D3000T, G3400			1	TT1-180		-	TTG20U
D4800			as req'd	TT8800-170P	or	TT8800-180P	TTG65+ TTG20U
I.H.C. (G)							
Eng. D-155			1	TT231-180		-	TTG29U
353, V-353, E-353, 383, V-383			1	TT231-180		-	TTG29U

Make and Model	Model Comments	Year	Qty per Engine	Thermostat Part No. Suggested Temperatures*			Gasket Part No.
I.H.C. (G) cont.							
E-383, 423, V-423, E-423, 423 Skidded Unit			1	TT231-180		-	TTG29U
453 V-453, E-453, 453 Skidded Unit			1	TT231-180		-	TTG29U
V/E 433, V/E 533, 500 E			1	TT231-180		-	TTG29U
Eng. D-179			1	TT231-180		-	TTG29U
523, 523 Mexico, 553			1	TT231-180		-	TTG29U
454 GD/HS, 3654 Skidded Unit, 464 GD/HS, 4500			1	TT231-180		-	TTG29U
Forklift, 2400 A GH/HS, 3400 A GD/HS			1	TT231-180		-	TTG29U
Eng. D-206			1	TT231-180		-	TTG29U
624, 100 S.B., 654, 221 (8-51), 105C, 275-375			1	TT231-180		-	TTG29U
Windrower, 100 B.S. 11, TD-6 Bullgrader			1	TT231-180		-	TTG29U
Eng. D-239			1	TT231-180		-	TTG29U
1-35414 GD/HS, 125B, 544 GD/HS, 664, 574, GD/HS			1	TT231-180		-	TTG29U
674 GD, 125 B.S. 11, 724, 824, 834, 2500 A, GD/HS			1	TT231-180		-	TTG29U
2544 GD/HS, 3500 A GD/HS, 321 (8-61) 431 (8-71)			1	TT231-180		-	TTG29U
TD-8B, TD-8 B.S. 11, 3654, 3654 S.U.			1	TT231-180		-	TTG29U
Eng. D-310			1	TT231-180		-	TTG29U
686, 756, HS-9, CO. T. H., 696, 766, 766 Mexico			1	TT231-180		-	TTG29U
946, 431 (8-71), 531 (8-91), 1-3820 A, 9000 Highlift			1	TT231-180		-	TTG29U
9000 Forklift, 616-622 HS C.P.			1	TT231-180		-	TTG29U
711 S.P. Header	8-5 Header		1	TT231-180		-	TTG29U
Eng. D-310			1	TT231-180		-	TTG29U
95 Cotton Harv.			1	TT231-180		-	TTG29U
95 Cotton Harv. Mexico			1	TT231-180		-	TTG29U
Eng. D-358			1	TT231-180		-	TTG29U
CO.T.H., 400 Cane, 826 H.S., 866, 866 Mexico			1	TT231-180		-	TTG29U
1046, 531 (8-91), 8-111			1	TT231-180		-	TTG29U
1630A, 1730A, 1830A, ACCO-1820, CONV. TOE			1	TT231-180		-	TTG29U
H-60B, 3964, 3965, 3980			1	TT231-180		-	TTG29U
Eng. D-358/1246			1	TT231-180		-	TTG29U
Eng. D-206			1	TT231-167		-	TTG29U
TD-7C GD, TD-7C GD/Dozer, TD-7C P. Sh.			1	TT231-167		-	TTG29U
TD-7C P.Sh./Dozer, 100 C Loader, 100 CP. Sh. Loader			1	TT231-167		-	TTG29U
TD - 7E P. Sh			1	TT231-167		-	TTG29U
TD - 7E P. Sh. Dozer			1	TT231-167		-	TTG29U
100 E.P. Sh. Loader			1	TT231-167		-	TTG29U
Eng. D-239			1	TT231-167		-	TTG29U
TD - 8E P. Sh			1	TT231-167		-	TTG29U
TD - 8E P. Sh. Dozer			1	TT231-167		-	TTG29U
125E P. Sh. Loader			1	TT231-167		-	TTG29U
Ingersoll Rand, Basic Power Unit			1	TT231-167		-	TTG29U
TD - 8C GD, TD - 8C GD Dozer			1	TT231-167		-	TTG29U
TD - 8C P. Sh.			1	TT231-167		-	TTG29U
TD - 8C P. Sh. Dozer			1	TT231-167		-	TTG29U
125C GD Loader			1	TT231-167		-	TTG29U
125 C P. Sh. Loader			1	TT231-167		-	TTG29U
I.H.C. (Tractors & Off-Road Equipment) (See also International)							
BM, BMD, BM 6			1	TT1-180		-	TTG29U
BWD 6, BT 6, BTD 6			1	TT1-180		-	TTG29U
B 250, B275			1	TT1-180		-	TTG29U
Tractors (Petrol and LPG)							
A, AI, AV, AVI, B, BN, B275, B414, C, T5			1	TT1-180		-	TTG20U
T340, 100, 130, 140, 200, 230, 240, 330, 340			1	TT1-180		-	TTG20U
404, 2404, 424, 2424, 3414			1	TT1-180		-	TTG20U
606, 2606, 706, 2706, 806, 2806, 460, 560			1	TT2-180		-	TTG20U

*Note: Last 3 numbers indicate opening temperature in °F. As climate may vary, refer to manufacturer's manual for correct temperature. Refer to pages 94 - 126 for alternate temperatures.

Heavy Vehicle Application List

Make and Model	Model Comments	Year	Qty per Engine	Thermostat Part No. Suggested Temperatures*			Gasket Part No.
I.H.C. (Tractors & Off-Road Equipment) – Tractors (Petrol and LPG) cont.							
660, 3616, T6 (62 Series), 656			1	TT2-180		-	TTG20U
Tractors (Diesel)							
B275D, B414D, 3414D, 424D, 242D			1	TT1-180		-	TTG20U
330D, 340D, 504D, 2504D, 3514D, TD340			1	TT2-180		-	TTG20U
TD6 (61 Series), TD6 (62 Series), TD9B, TD14			1	TT218-180		-	Inc.
TD14A, W400D, W450D, 300D, 350D, 400D, 450D, 460D			1	TT218-180		-	Inc.
560D, 660D, 656D, 606D, 2606D, 706D, 2706D, 3616D			1	TT218-180		-	Inc.
TD7E, 884, 884RC, 884U			as req'd	TT228-180		-	TTG61
TD15			2	TT218-180		-	Inc.
TD20B			2	TT8800-170P	or	TT8800-180P	TTG65+TTG20U
TD24 and TD24TC (Early)			1	TT8800-170P	or	TT8800-180P	TTG65+TTG20U
TD24 and TD24TC (Late)			1	TT8800-170P	or	TT8800-180P	-
Combines							
91			1	TT1-180		-	-
101, 151, 181			1	TT2-180		-	TTG20U
Scrapers							
295			2	TT8800-170P	or	TT8800-180P	TTG65+TTG20U
270			2	TT8800-170P	or	TT8800-180P	TTG67+TTG20U
Loaders							
150, 150PS			1	TT218-180		-	Inc.
175, 175B			1	TT8700-170P	or	TT8700-180P	TTG67+TTG20U
Haulers							
65B			2	TT8700-170P	or	TT8700-180P	TTG67+TTG20U
INTERNATIONAL (NAVISTAR)							
Petrol Engines							
C113, C123, C135, C135B, C146, BC414			1	TT1-180		-	TTG20U
C152, C164, C169, C175, C248			1	TT332-180		-	-
C264, C281, C335, C350, C461			1	TT332-180		-	-
C221, C263, C301			1	TT222-180		-	TTG61
4-152	Scout - before eng. #31581		1	TT8700-170P	or	TT8700-180P	TTG67+TTG20U
4-152, 4-152T, 4-196	Scout - eng. #31581 and after	To-70	1	TT220-180		-	TTG60
6-232, 6-258			1	TT1-180		-	TTG55
HD3, HD213, HD213A, GRD214, GRD214A		37-55	1	TT6-180		-	TTG9
SD220, HD232, HD232A, HD232C, GRD233		37-55	1	TT6-180		-	TTG9
GRD233A, SD240		37-55	1	TT6-180		-	TTG9
BD220, BD240, BD264	in "S" Series vehicles only	51-55	1	TT6-180		-	TTG9
BD220, BG220, BD240, BG241, FAB241			1	TT222-180		-	TTG61
BD264, BG265	exc. in "S" Series vehicles		1	TT222-180		-	TTG61
BLD250, FAB259, BD269, BLD269, BLD269A			1	TT222-180		-	TTG61
BD282, BD308, FBB361, FBC361, RED361			1	TT222-180		-	TTG61
RED361A, RD372, FBC401, RED401			1	TT222-180		-	TTG61
RED401A, RD406, RED450, RD450, RD501	exc. In "S" Series vehicles		1	TT222-180		-	TTG61
V266, V304, V345	Eng. #104301 & after incl Eng. #104079 thru #104175	To-70	1	TT220-180		-	TTG60
V266, V304, V345	Eng. #104229 thru #104248	To-70	1	TT220-180		-	TTG60
V266, V304, V345	Before eng. #104301, except eng. #104079 thru #104175	70-on	1	TT8700-170P	or	TT8700-180P	TTG67+TTG20U
V266, V304, V345	Eng. #104229 thru #104248	70-on	1	TT8700-170P	or	TT8700-180P	TTG67+TTG20U
V392		To-70	1	TT220-180		-	-
4-196, V304, V304A, V345, V392		70-on	1	TT221-170	or	TT221-180	-
MV404, 440, 446			1	TT226-180		-	TTG13

Make and Model	Model Comments	Year	Qty per Engine	Thermostat Part No. Suggested Temperatures*			Gasket Part No.
INTERNATIONAL (NAVISTAR) - Petrol Engines cont.							
V401, V461, V478, V459, FTV549			2	TT218-180		-	Inc.
VS401, VS478, VS549, FTVS549			1	TT226-180		-	-
V400			1	TT1-180		-	TTG10
4-152, 4-152T, 4-196	Scout engine # 31581 and after		1	TT2-180		-	TTG20U
Engines (Diesel)							
9.0L		76-on	2	TT226-180		-	TTG20U
6.9L			1	TT244-180		-	TTG20U
7.3L	exc. 7.3L Turbo Diesel		1	TT244-180		-	TTG62
IN 6-33, SD-331		76-94	1	TT228-180		-	TTG20U
D239, DT239, D268		76-on	1	TT228-180		-	TTG20U
BD144, BD154			1	TT1-180		-	-
D166, D188			1	TT222-180		-	TTG61
D193, D236, D264, D281, D282, DT282, D370, D461			1	TT218-180		-	Inc.
D312, D360, D414, D436, D466			1	TT8700-170P	or	TT8700-180P	TTG67+ TTG20U
DT360, DT414, DT436, DT460, DT466			1	TT8700-170P	or	TT8700-180P	TTG67+ TTG20U
D1091 (Early)			1	TT218-180		-	Inc.
D1091 (Late)			2	TT8800-170P	or	TT8800-180P	TTG65+ TTG20U
D554			1	TT8800-170P	or	TT8800-180P	TTG65+ TTG20U
D361, DT361, D407			1	TT8800-170P	or	TT8800-180P	TTG65+ TTG20U
DV462, DV462B, DV550, DV550B			2	TT226-180		-	-
DV573, DVT573B, DVT1573, DVT1573B			2	TT8700-170P	or	TT8700-180P	TTG67+ TTG20U
V800			2	TT8700-170P	or	TT8700-180P	TTG67+ TTG20U
D429, DT429			1	TT218-180		-	Inc.
D817, DT817, DT1817			2	TT218-180		-	Inc.
ISUZU							
FRR500	Isuzu 6HH1-N	96-00	1	TT8010-180P		-	TTG11
FRR550	Isuzu 6HH1-N	96-00	1	TT8010-180P		-	TTG11
FRR550S (Inner)	Isuzu 6HH1-S	96-99	1	TT8010-180P		-	TTG11
FRR550S (Outer)	Isuzu 6HH1-S	96-99	1	TT8017-180P		-	TTG11
FSR 650	Isuzu 6BG1	88-92	1	TT8073-170P	or	TT8073-180P	TTG75
FSR 650 (Inner)	Isuzu 6HE1	92-96	1	TT8010-180P		-	TTG11
FSR 650 (Outer)	Isuzu 6HE1	92-96	1	TT8017-180P		-	TTG11
FSR 700 (Inner)	Isuzu 6HH1-N	96-00	1	TT8010-180P		-	TTG11
FSR 700 (Outer)	Isuzu 6HH1-N	96-00	1	TT8017-180P		-	TTG11
FSR 700S (Inner)	Isuzu 6HH1-S	96-99	1	TT8010-180P		-	TTG11
FSR 700S (Outer)	Isuzu 6HH1-S	96-99	1	TT8017-180P		-	TTG11
FSR11	Isuzu 6BD1	86-89	1	TT8073-170P	or	TT8073-180P	TTG75
FSR12	Isuzu 6BG1	86-89	1	TT8073-170P	or	TT8073-180P	TTG75
FSR450	Isuzu 6BD1	88-92	1	TT8073-170P	or	TT8073-180P	TTG75
FSR500	Isuzu 6BG1	88-92	1	TT8073-170P	or	TT8073-180P	TTG75
FSR500 (Inner)	Isuzu 6HE1	92-96	1	TT8010-180P		-	TTG11
FSR500 (Outer)	Isuzu 6HE1	92-96	1	TT8017-180P		-	TTG11
FSR550 (Inner)	Isuzu 6HE1	92-96	1	TT8010-180P		-	TTG11
FSR550 (Outer)	Isuzu 6HE1	92-96	1	TT8017-180P		-	TTG11
FSS 500	Isuzu 6BG1	89-96	1	TT8073-170P	or	TT8073-180P	TTG75
FSS 500 (Inner)	Isuzu 6HH1-S	96-00	1	TT8010-180P		-	TTG11
FSS 500 (Outer)	Isuzu 6HH1-S	96-00	1	TT8017-180P		-	TTG11
FTR 11LTA	Isuzu 6BD1-T	88-89	1	TT8073-170P	or	TT8073-180P	TTG75
FTR 12HA	Isuzu 6BG1	87-89	1	TT8073-170P	or	TT8073-180P	TTG75
FTR 800	Isuzu 6BG1	88-92	1	TT8073-170P	or	TT8073-180P	TTG75
FTR 800 (Inner)	Isuzu 6HH1-S	96-00	1	TT8010-180P		-	TTG11
FTR 800 (Outer)	Isuzu 6HH1-S	96-00	1	TT8017-180P		-	TTG11
FTR 850 (Inner)	Isuzu 6HH1-S	96-00	1	TT8010-180P		-	TTG11
FTR 850 (Outer)	Isuzu 6HH1-S	96-00	1	TT8017-180P		-	TTG11
FTS 12HA	Isuzu 6BG1	88-89	1	TT8073-170P	or	TT8073-180P	TTG75
FTS 500	Isuzu 6BG1	89-92	1	TT8073-170P	or	TT8073-180P	TTG75
FTS 700	Isuzu 6BG1	89-96	1	TT8073-170P	or	TT8073-180P	TTG75

*Note: Last 3 numbers indicate opening temperature in °F. As climate may vary, refer to manufacturer's manual for correct temperature. Refer to pages 94 - 126 for alternate temperatures.

Heavy Vehicle Application List

Make and Model	Model Comments	Year	Qty per Engine	Thermostat Part No. Suggested Temperatures*			Gasket Part No.
ISUZU cont.							
FTS 750 (Inner)	Isuzu 6HH1-S	96-00	1	TT8010-180P		-	TTG11
FTS 750 (Outer)	Isuzu 6HH1-S	96-00	1	TT8017-180P		-	TTG11
FVD 950	Isuzu 6SD1-TC	00-05	1	TT8069-170P		-	-
FVL 1400	Isuzu 6SD1-TC	00-03	1	TT8069-170P		-	-
FVL 1400	Isuzu 6SD1-TC	03-05	1	TT8069-170P		-	-
FVM 1400	Isuzu 6SA1-T	90-96	1	TT8085-170P		-	-
FVM 1400	Isuzu 6SD1-TC	96-00	1	TT8069-170P		-	-
FVM 1400	Isuzu 6SD1-TC	00-04	1	TT8069-170P		-	-
FVM 1400	Isuzu 6SD1-TC	03-05	1	TT8069-170P		-	-
FVR 11NT	Isuzu 6BD1-T	85-87	1	TT8073-170P	or	TT8073-180P	TTG75
FVR 900	Isuzu 6SA1	88-96	1	TT8085-170P		-	-
FVR 900	Isuzu 6SA1-T	90-96	1	TT8085-170P		-	-
FVR 900 (Inner)	Isuzu 6HH1-S	96-00	1	TT8010-180P		-	TTG11
FVR 900 (Outer)	Isuzu 6HH1-S	96-00	1	TT8017-180P		-	TTG11
FVR 950 (Inner)	Isuzu 6HH1-S	96-00	1	TT8010-180P		-	TTG11
FVR 950 (Outer)	Isuzu 6HH1-S	96-00	1	TT8017-180P		-	TTG11
FVR 950	Isuzu 6SD1-TC	96-99	1	TT8069-170P		-	-
FVR 950	Isuzu 6SD1-TC	00-05	1	TT8069-170P		-	-
FVY 1400	Isuzu 6SD1-TC	00-03	1	TT8069-170P		-	-
FVY 1400	Isuzu 6SD1-TC	03-05	1	TT8069-170P		-	-
FVZ 1400	Isuzu 6SA1-T	90-96	1	TT8085-170P		-	-
FVZ 1400	Isuzu 6SD1-TC	96-00	1	TT8069-170P		-	-
FVZ 1400	Isuzu 6SD1-TC	00-03	1	TT8069-170P		-	-
FVZ 1400	Isuzu 6SD1-TC	03-05	1	TT8069-170P		-	-
GVD	Isuzu 6SD1-TC	00-03	1	TT8069-170P		-	-
GVD	Isuzu 6SD1-TC	03-05	1	TT8069-170P		-	-
GVR	Isuzu 6SD1-TC	00-03	1	TT8069-170P		-	-
GVR	Isuzu 6SD1-TC	03-05	1	TT8069-170P		-	-
GVR 950	Isuzu 6SD1-TC	99-00	1	TT8069-170P		-	-
JRC 500	Isuzu 6BD1	84-84	1	TT8073-170P	or	TT8073-180P	TTG75
JRC 500	Isuzu 6BG1	85-87	1	TT8073-170P	or	TT8073-180P	TTG75
KS 32	Isuzu 4BD1	84-84	1	TT8039-180P		-	TTG76
NKR 150	Isuzu 4BE1	89-96	1	TT8039-180P		-	TTG76
NKR 150	Isuzu 4HF1	96-00	1	TT8090-180P		-	TTG11
NKR 200	Isuzu 4BE1	88-97	1	TT8039-180P		-	TTG76
NKR 200	Isuzu 4HF1	96-00	1	TT8090-180P		-	TTG11
NKR 250	Isuzu 4BE1	88-94	1	TT8039-180P		-	TTG76
NKR 57	Isuzu 4BC2	85-87	1	TT8039-180P		-	TTG76
NKR 58	Isuzu 4BE1	87-88	1	TT8039-180P		-	TTG76
NPR 200	Isuzu 4BE1	89-96	1	TT8039-180P		-	TTG76
NPR 200	Isuzu 4HF1	96-00	1	TT8090-180P		-	TTG11
NPR 250	Isuzu 4HF1	94-96	1	TT8090-180P		-	TTG11
NPR 250	Isuzu 4HG1	96-00	1	TT8090-180P		-	TTG11
NPR 250	Isuzu 4HG1	00-03	1	TT8090-180P		-	TTG11
NPR 300	Isuzu 4BD1	88-91	1	TT8039-180P		-	TTG76
NPR 300	Isuzu 4BE1	89-95	1	TT8039-180P		-	TTG76
NPR 300	Isuzu 4HF1	92-96	1	TT8090-180P		-	TTG11
NPR 300	Isuzu 4HG1	96-00	1	TT8090-180P		-	TTG11
NPR 300	Isuzu 4HG1	00-03	1	TT8090-180P		-	TTG11
NPR 400	Isuzu 4BD1-T	88-94	1	TT8039-180P		-	TTG76
NPR 400	Isuzu 4BD1	89-91	1	TT8039-180P		-	TTG76
NPR 400	Isuzu 4HF1	92-96	1	TT8090-180P		-	TTG11
NPR 400	Isuzu 4HG1	96-99	1	TT8090-180P		-	TTG11
NPR 57L	Isuzu 4BC2	85-87	1	TT8039-180P		-	TTG76
NPR 59	Isuzu 4BD1	85-88	1	TT8039-180P		-	TTG76
NPS 250	Isuzu 4HG1	00-05	1	TT8090-180P		-	TTG11
NPS 300	Isuzu 4BD1-T	92-98	1	TT8039-180P		-	TTG76
NPS 300	Isuzu 4HG1	97-00	1	TT8090-180P		-	TTG11
NPS 300	Isuzu 4HG1	00-05	1	TT8090-180P		-	TTG11
NQR 450	Isuzu 4HE1-T	98-00	1	TT8090-180P		-	TTG11
SBR 422	Isuzu 6BB1	84-84	1	TT8073-170P	or	TT8073-180P	TTG75
SBR 422	Isuzu 6BD1	85-86	1	TT8073-170P	or	TT8073-180P	TTG75
SCR 480	Isuzu 6BD1	84-84	1	TT8073-170P	or	TT8073-180P	TTG75
SCR 480	Isuzu 6BD1-T	85-86	1	TT8073-170P	or	TT8073-180P	TTG75

Make and Model	Model Comments	Year	Qty per Engine	Thermostat Part No. Suggested Temperatures*			Gasket Part No.
ISUZU cont.							
TLD 44	Isuzu 4BA1	81-84	1	TT8039-180P		-	TTG75
TLD 44	Isuzu 4BA1	81-84	1	TT8039-180P		-	TTG75
IVECO-FIAT-OM							
Daily/Grinta 30.8 - 32.8 - 35.8 - 40.8	To eng. #156337	78-85	1	TT230-174	or	TT230-180	TTG29U
Daily/Grinta 28.8 - 30.8 - 32.8 - 40.8 - 35.10		85-on	1	TT230-174	or	TT230-180	TTG29U
45.10 - 49.10 Turbo	Eng. # 156338 on	85-on	1	TT230-174	or	TT230-180	TTG29U
40 NC - 40 NC 35 = OM 40 - OM 40/35		74-on	1	TT230-174	or	TT230-180	TTG29U
50 NC - 55 NC		72-77	1	TT230-174	or	TT230-180	TTG29U
50 FB, AI - 55FB - 60 FB = 55 OM 8 - 55 OM 8 - 60 OM 8		77-82	1	TT230-174	or	TT230-180	TTG29U
50.8, 65PC (4 x 4) - 75 PC (4 x 4)		82-87	1	TT230-174	or	TT230-180	TTG29U
50 F9, F10 - 55 F9, F10 = 55 OM 9, OM 10		77-82	1	TT275-174	or	TT275-185	TTG29U
60 F10 - A 60 F 10 = 60 OM 10		77-82	1	TT275-174	or	TT275-185	TTG29U
65 NC - 70 NC - 75 NC		77-82	1	TT275-174	or	TT275-185	TTG29U
65 F10 - 70 F10, F12 - 75 F10		77-82	1	TT275-174	or	TT275-185	TTG29U
50.10 - 60.10 - 70.10		79-82	1	TT275-174	or	TT275-185	TTG29U
50.10 - 60.10 - 65.10		82-87	1	TT275-174	or	TT275-185	TTG29U
79 F10 = 79 OM 10		79-81	1	TT275-174	or	TT275-185	TTG29U
79.1		81-on	1	TT275-174	or	TT275-185	TTG29U
OM 50-OM 55-OM 65-OM 70-OM 75	m. CO3	72-77	1	TT275-174	or	TT275-185	TTG29U
OM 80-OM 90 -100/10	Eng. CN3D	72-77	1	TT275-174	or	TT275-185	TTG29U
79 F 13 = 79 OM 13		79-81	1	TT230-174	or	TT230-180	TTG29U
79.13		81-83	1	TT230-174	or	TT230-180	TTG29U
79.14		83-87	1	TT230-174	or	TT230-180	TTG29U
80 NC, NR, NT - 90 NC - 90 PC		72-77	1	TT230-174	or	TT230-180	TTG29U
80 F13 = 80 OM 13		77-83	1	TT230-174	or	TT230-180	TTG29U
80.14 (4 X 4) - 80.16 (4 X 4)		84-87	1	TT230-174	or	TT230-180	TTG29U
90 F13 = 90 OM 13		77-79	1	TT230-174	or	TT230-180	TTG29U
90.13		79-83	1	TT230-174	or	TT230-180	TTG29U
95.14		83-87	1	TT230-174	or	TT230-180	TTG29U
100 NC, NR, NT = OM 100 N, R, TP		73-77	1	TT230-174	or	TT230-180	TTG29U
100 F13 = 100 OM 13		77-79	1	TT230-174	or	TT230-180	TTG29U
100.13		79-83	1	TT230-174	or	TT230-180	TTG29U
109,14		83-87	1	TT230-174	or	TT230-180	TTG29U
110 NC, NR, NT - OM 110 R, T		73-on	1	TT230-174	or	TT230-180	TTG29U
110.14		82-on	1	TT230-174	or	TT230-180	TTG29U
115.14 - 115.17 Turbo, R, T		83-85	1	TT230-174	or	TT230-180	TTG29U
135.14 - 135.17 Turbo, R, T		83-85	1	TT230-174	or	TT230-180	TTG29U
120 F 13		78-86	1	TT230-174	or	TT230-180	TTG29U
120.13 ANW (4 x 4)		80-on	2	TT230-174	or	TT230-180	TTG29U
130 NC 20 - 159 NC 20 = OM 130.20 - OM 159.20, 140.2	2 Types Required	77-on	3	2x TT230-174	plus	1x TT209-160	TTG29U
150 NC 20 = OM 150.20	2 Types Required	77-on	3	2x TT230-174	plus	1x TT209-160	TTG29U
170 NC 20 = OM 170.20	2 Types Required	77-on	3	2x TT230-174	plus	1x TT209-160	TTG29U
190 PAC 20	2 Types Required	77-on	3	2x TT230-174	plus	1x TT209-160	TTG29U
165.24 Turbo, 175.24 Turbo, 180.24 Turbo		83-on	1	TT248-174	or	TT248-180	TTG31
160 NC = OM 160 NT		74-82	2	TT230-174		-	TTG29U
160.26, T		82-on	2	TT230-174		-	TTG29U
170 NC 26, NT 26, F 26 = OM 170 26, T 26 -170 OM 26		75-82	2	TT230-174		-	TTG29U
180.26, 190 NC 26, NT 26, F 26 = OM 190 26		To-86	2	TT230-174		-	TTG29U
T 26 -190 OM 26, 190 PC 26		To-86	2	TT230-174		-	TTG29U
PT 26, H 26, HT 26, 190 PAC 26, PAT 26		To-86	2	TT230-174		-	TTG29U
260 PC 26, PT 26, H 26, HT 26, 260 PAC 26, PAT 26		To-86	2	TT230-174		-	TTG29U
330 PC 26, PT 26, HT 26, 330 PAC 26, PAT 26		To-86	2	TT230-174		-	TTG29U
190.26 Turbo H, HT, HW		86-on	2	TT230-174		-	TTG29U
240.26 Turbo		88-on	2	TT230-174		-	TTG29U
260.26 A, H, N, NW		84-on	2	TT230-174		-	TTG29U
330.26 A, H, N, NW		86-on	2	TT230-174		-	TTG29U
190 UNIC - 260, T UNIC= OM 190 UNIC - OM 260, T UNIC		76-on	2	TT248-174	or	TT248-180	TTG31

*Note: Last 3 numbers indicate opening temperature in °F. As climate may vary, refer to manufacturer's manual for correct temperature. Refer to pages 94 - 126 for alternate temperatures.

Heavy Vehicle Application List

Make and Model	Model Comments	Year	Qty per Engine	Thermostat Part No. Suggested Temperatures*			Gasket Part No.
IVECO-FIAT-OM cont.							
170 F 20 - 170 NC 33 = OM 170 33		76-80	2	TT248-174	or	TT248-180	TTG31
170 NC 35, F 35 = 170 OM 35 - OM 35 T		76-80	2	TT248-174	or	TT248-180	TTG31
190 NC 33, NC 35, F 35 = OM 190.33 - 190 OM 35		76-80	2	TT248-174	or	TT248-180	TTG31
190.38 Turbo, HY, 190.24 Turbo - "Turbostar"		81-85	2	TT248-174	or	TT248-180	TTG31
220.35 T, 220.38 Turbo, 240.35 - 240.38 Turbo		81-85	2	TT248-174	or	TT248-180	TTG31
190.35 PC, PT, H, HT		80-85	2	TT248-174	or	TT248-180	TTG31
260.35 PC, PT, H, HT		80-85	2	TT248-174	or	TT248-180	TTG31
330.35 PC, PT, H, HT		80-85	2	TT248-174	or	TT248-180	TTG31
190.30 - 190.30 PC, PT, H, HT (Turbo)	Eng. #161909	81-83	2	TT235-167	or	TT235-180	-
240.30 - 223.30 PC, PT, H, HT (Turbo)	Eng. #161909	81-83	2	TT235-167	or	TT235-180	-
190.30 - 190.30 PC, PT, H, HT (Turbo)	Eng. # 1619010	83-85	2	TT248-174	or	TT248-180	TTG31
240.30 - 330.30 PC, PT, H, HT (Turbo)	Eng. # 1619010	83-85	2	TT248-174	or	TT248-180	TTG31
190.35 PC, PT, H, HT, 260.35 PC, PT, H, HT		82-on	2	TT248-174	or	TT248-180	TTG31
330.35 PC, PT, H, HT	only for engine 273	82-on	2	TT248-174	or	TT248-180	TTG31
190.30 Turbo, 220.30 Turbo, 240.30 Turbo		85-on	2	TT248-174	or	TT248-180	TTG31
190.33 Turbo (Turbostar)		85-on	2	TT248-174	or	TT248-180	TTG31
190.32 Turbo Intercooler, PGV		87-on	2	TT248-174	or	TT248-180	TTG31
190.36 Turbo, 240.36 Turbo, 330.36 Turbo H		87-on	2	TT248-174	or	TT248-180	TTG31
Bus							
A 30.8 - A 35.8	Eng. #156337	78-85	1	TT230-174		-	TTG29U
A 30.8 - A 35.8 - A 40.8	Eng. #156338	85-on	1	TT230-174		-	TTG29U
A 40.10 Turbo - A 49.10 Turbo		85-on	1	TT230-174		-	TTG29U
50 AI - A 90.13 - A 90.14		72-87	1	TT230-174		-	TTG29U
A55.10 - A 60.10 - A 70.12		77-87	1	TT275-174		-	-
IVECO-FIAT							
616 Petrol			1	TT1-180		-	TTG29U
616 N1, N2, N2/4, N3/4, 619 N, N1, N1P, T, T1, T1P			1	TT230-174		-	TTG29U
625 N, N1, N2, N3 - 642 N2 - 645 N2, 645 N3			1	TT230-174		-	TTG29U
650 N2, N3, E1 - 655 N, N1, 662 N2, N2P, N3			1	TT230-174		-	TTG29U
PRT - 671 N3 - 672 N			1	TT230-174		-	TTG29U
639 N, N2, N3, 642 N6 - N65, 642 N2			1	TT8800-180P		-	TTG65+ TTG20U
643, N, T1, E, EP, 682 N4, 683 N, N3, N4, T, T1			1	TT8800-180P		-	TTG65+ TTG20U
690 N2, T2, 693 N, N1, 690 N3, N4, 691 N			1	TT8800-180P		-	TTG65+ TTG20U
697 N, T, NP, NT			1	TT8800-180P		-	TTG65+ TTG20U
643 N1, T (1a Series), 683 N (1a Series)			1	TT289-180		-	-
690 N3, T3	1a Series		1	TT289-180		-	-
643 N, T1, E, EP, 682 N3, N4, T3, T4			1	TT8800-180P		-	TTG65+ TTG20U
683 N, N3, T, T3, 690 N2, T2 - 693 N, N1, T, T1			1	TT8800-180P		-	TTG65+ TTG20U
684 N, NP, T, P, 690 N3, N4 - 691 N			1	TT230-174		-	TTG29U
697 N, T, NP, NT			1	TT230-174		-	TTG29U
Bus							
308 L, 314/2, 314/3, 315.13, 316.13, 315.8.17 Turbo			1	TT230-174		-	TTG29U
316.8.17 Turbo, 331 A - 343, E, L, 409 A, 416 A			1	TT230-174		-	TTG29U
418 A, AC, AL, 420 A, 421 A, AL			1	TT230-174		-	TTG29U
309	Eng. #220 H		1	TT8800-180P		-	TTG65+ TTG20U
409, 331			1	TT8800-180P		-	TTG65+ TTG20U
370.12.26	Eng. #8219.02	75-on	1	TT230-174		-	TTG29U
370.12.26	Eng. 8210.02 only for engine type 434		2	TT230-174		-	TTG29U
331 A	only for engine #275		1	TT209-160		-	-
329 A		71-on	1	TT275-174		-	-

Make and Model	Model Comments	Year	Qty per Engine	Thermostat Part No. Suggested Temperatures*			Gasket Part No.
IVECO-FIAT - Bus cont.							
370.10.20	Eng. #9065	77-on	2	TT230-174		-	TTG29U
370.11.25, 370.12.25	Eng. #8260.02	79-on	2	TT248-174		-	TTG31
370.11.25 L, 370.10.30	2 Types Required	83-on	3	2x TT248-174	plus	1x TT209-160	TTG31
570.10/12U - 570.10/12 S, 470.20 - 570.20 - 670.20	2 Types Required	79-83	3	2x TT248-174	plus	1x TT209-160	TTG31
IVECO-OM							
Orsetto N, L			1	TT230-174		-	TTG29U
OM 150 C, N, L	Eng. CUS-1		1	TT248-174		-	TTG31
OM							
Fork lift							
DI / DIM 25 / 30 / 35			1	TT230-174		-	TTG29U
JOHN DEERE							
Tractors (Petrol, LPG and Diesel)							
50, 80			1	TT2-180		-	TTG20U
60 and 60H	exc. #6026000 to #6042999 LPG only		1	TT2-180		-	TTG20U
60 and 60H	exc. #6030927 to #6054499 Petrol		1	TT2-180		-	TTG20U
60S	exc. #6025000 to #6030926 Petrol		1	TT2-180		-	TTG20U
60S	exc. #6043000 to #6054999 LPG		1	TT2-180		-	TTG20U
60-0	exc. #6025000 to #6030926 Petrol only		1	TT2-180		-	TTG20U
70, 70H and 70S	#7031300 and up		1	TT2-180		-	TTG20U
70D, 70DS, 70DH			1	TT2-180		-	TTG20U
4320, 7020, 6030, 7520 without bypass			as req'd	TT1-180		-	TTG59
JD540, JD540-A, JD544, JD544-A, JD570, JD570-A			1	TT2-180		-	TTG20U
750, 2950, 4240, 4440			2	TT226-180		-	TTG20U
320, 330, 420, 420C, 430, 430C, 435, 440			1	TT1-180		-	TTG20U
4401, 4401C			1	TT1-180		-	TTG20U
520, 530, 620, 630, 720, 730			1	TT2-180		-	TTG20U
820, 830, 840			2	TT2-180		-	TTG20U
1010, 1010C, 1010CA, 1020, 1520, 2010			1	TT1-180		-	TTG20U
2010C, 2020, 2030, 2510, 2520			1	TT1-180		-	TTG20U
3010, 3020			1	TT2-180		-	TTG20U
4000, 4010, 4020, 4230, 5101, 5020			2	TT2-180		-	TTG20U
JD300, JD301, JD310, JD350, JD350B, JD400			1	TT1-180		-	TTG20U
JD401, JD401A, JD410, JD440, JD440A			1	TT1-180		-	TTG20U
JD450, JD450B, JD480			1	TT1-180		-	TTG20U
JD500, JD500-A, JD500-B, JD500-C, JD510			1	TT2-180		-	TTG20U
JD600, JD700, JD700-A, JD760, JD760-A			2	TT2-180		-	TTG20U
400 Series 6404D			2	TT2-180		-	TTG20U
6404A, 6404T, 6466A, 6466D, 6466T			2	TT226-180		-	TTG20U
500 Series 653A, 6619T, 6619A			3	TT226-180		-	TTG20U
Combines							
40, 45, 55, 55R, 65, 95			1	TT1-180		-	TTG20U
Power Units							
92, 115, 135, 145, 152, 155			1	TT1-180		-	TTG59
165, 180, 202, 217, 232, 248			1	TT1-180		-	TTG59
KLOCKNER - HUMBOLDT - DEUTZ (Engines)							
BFM 716, BAM 716			1	TT248-174	or	TT248-180	-
MACK (Diesel Engines)							
E6-200, EM6-237, EM6-250R, E6-260, EM6-285			1	TT8800-170P	or	TT8800-180P	TTG65+ TTG20U
EM6-300, EM6-300R, EC6-330, E6-350			1	TT8800-170P	or	TT8800-180P	TTG65+ TTG20U
EMC9-400R, EM9-400R, EMC9-400			2	TT8800-170P	or	TT8800-180P	TTG67+ TTG20U
EM9-400, E9-440			2	TT8800-170P	or	TT8800-180P	TTG67+ TTG20U
END673ESI, END675ESI, END707ESI			1	TT8800-170P	or	TT8800-180P	TTG65+ TTG20U

*Note: Last 3 numbers indicate opening temperature in °F. As climate may vary, refer to manufacturer's manual for correct temperature. Refer to pages 94 - 126 for alternate temperatures.

Heavy Vehicle Application List

Make and Model	Model Comments	Year	Qty per Engine	Thermostat Part No. Suggested Temperatures*			Gasket Part No.
MACK (Diesel Engines) cont.							
END767ESI, ENDT676ESI, ENDT707ESI			1	TT8800-170P	or	TT8800-180P	TTG65+ TTG20U
ENDT675ESI, ENDT673ESI			1	TT8800-170P	or	TT8800-180P	TTG65+ TTG20U
END864, ENDD864, ENDL864, ENDT864			2	TT8800-170P	or	TT8800-180P	TTG67+ TTG20U
ENDT865, ENDTF865, ENDDT865, ENDT866			2	TT8800-170P	or	TT8800-180P	TTG67+ TTG20U
END475			1	TT248-170	or	TT248-180	TTG31
MAN							
Engines							
D 0022 M			1	TT1-174	or	TT1-180	TTG20U
D 0024 M, D 0026 M, D 0026 M1-M6			1	TT275-174		-	-
D 0026 MH, D 0026 M1H			1	TT275-174		-	-
D 0026 M1H	Krauss-Maffei		1	TT275-174		-	-
D 0026 M2, M3, M4, M5, M6 MH			1	TT275-174		-	-
D 0224 MF, D 0226 MF/MFKF			1	TT248-174	or	TT248-180	TTG31/33
D 0824 FL 01/LFL 01/LFL02			1	TT248-174	or	TT248-180	TTG31/33
D 0826 LFL 03/LFL 06			1	TT248-174	or	TT248-180	TTG31/33
D 2156 HM 6H/11U			1	TT275-174		-	-
D 2356 HM 51U			1	TT275-174		-	-
D 2540 MTF			1	TT248-174	or	TT248-180	TTG31/33
D 2542 ME-TME/MTE-TME/MLE			1	TT248-174	or	TT248-180	TTG31/33
R 5-D 2555 MF, R-D 2555 M			1	TT248-174	or	TT248-180	TTG31/33
D 2555 M/ME/MF/MX/MT/MAF /MXF/MXUH/MXUL			1	TT248-174	or	TT248-180	TTG31/33
D 2555 MXE-TME			1	TT248-174	or	TT248-180	TTG31/33
R6-D 2556 M/MF, R-D 2556 HF			1	TT248-174	or	TT248-180	TTG31/33
D 2556 M/ME/MF/MK/MT/MTE/MUH/ TME			1	TT248-174	or	TT248-180	TTG31/33
D 2565 M/MF/MSF/MUH/MUL/ME-TME			1	TT248-174	or	TT248-180	TTG31/33
D 2565 MF-168/MFG			1	TT248-174	or	TT248-180	TTG31/33
D 2566, D 2566 M/ME/MF/MT/MX			1	TT248-174	or	TT248-180	TTG31/33
D 2566 MFG/MKF/MTF/MTE/MSF			1	TT248-174	or	TT248-180	TTG31/33
D 2566 MUH/MUL/MUM/TME/UH /MKUL/MTFG			1	TT248-174	or	TT248-180	TTG31/33
D 2566 MTUH/MXE-TME			1	TT248-174	or	TT248-180	TTG31/33
D 2840 MF			1	TT248-174	or	TT248-180	TTG31/33
D 9622, D 9624 M			1	TT1-174	or	TT1-180	TTG20U
9626 M/M2			1	TT275-174		-	-
V-D 2530 M/ME/MF/MKF/MT/MTE/MX			1	TT248-174	or	TT248-180	TTG31/33
D 2530 ME-TME/MTE-TME/MTXF			1	TT248-174	or	TT248-180	TTG31/33
V-D 2538 M/ME/MF/MH/MKF/MT /MTE/MTF/MX/MTH			1	TT248-174	or	TT248-180	TTG31/33
D 2538 ME-TME/MTE-TME			1	TT248-174	or	TT248-180	TTG31/33
Trucks							
6.90 F, FK, F-LF			1	TT248-174	or	TT248-180	TTG31/33
8.90 F, FK, FR			1	TT248-174	or	TT248-180	TTG31/33
8.103 F, 8.153 F, 8.223 F			1	TT248-174	or	TT248-180	TTG31/33
8.136 F, FK, FR, FS, FAE, F-KO, F-LF			1	TT248-174	or	TT248-180	TTG31/33
9.136 F, FK, FR, FS, FAE			1	TT248-174	or	TT248-180	TTG31/33
10.136 F, FK, 10.135 F, 10.223 F			1	TT248-174	or	TT248-180	TTG31/33
12.136 F, FK, FL			1	TT248-174	or	TT248-180	TTG31/33
12.170 F, FK, FL, FS, FLS			1	TT248-174	or	TT248-180	TTG31/33
12.192 F, FK, FL, FS, FLS, U			1	TT248-174	or	TT248-180	TTG31/33
13.168 H, HA, HK, HS, HAK, HAS, H-KO, H-HL			1	TT248-174	or	TT248-180	TTG31/33
13.168 F, FK, FL, FS, FLS			1	TT248-174	or	TT248-180	TTG31/33
13.192 F, FK FL, FS, FLS, U			1	TT248-174	or	TT248-180	TTG31/33
14.136 F, FK, FL, FR			1	TT248-174	or	TT248-180	TTG31/33
14.168 F, FK, FL, FS, FLS			1	TT248-174	or	TT248-180	TTG31/33
14.170 F, FK, FL, FS, FLS			1	TT248-174	or	TT248-180	TTG31/33
14.192 F, FK, FL, FS, FLS			1	TT248-174	or	TT248-180	TTG31/33
14.192 U, UL, F-DL, FAEG			1	TT248-174	or	TT248-180	TTG31/33
14.220 F, FK, FL, FS			1	TT248-174	or	TT248-180	TTG31/33
14.240 FAEG			1	TT248-174	or	TT248-180	TTG31/33

Make and Model	Model Comments	Year	Qty per Engine	Thermostat Part No. Suggested Temperatures*			Gasket Part No.
MAN - Trucks cont.							
15.168 H, HA, HK, HS, HAK, HAS, H-KO, H-DL			1	TT248-174	or	TT248-180	TTG31/33
15.168 F, FK, FL, FS, FLS			1	TT248-174	or	TT248-180	TTG31/33
15.192 H, HA, HK, HS, HAK, HAS, U			1	TT248-174	or	TT248-180	TTG31/33
15.192 F, FK, FL, FS, FLS			1	TT248-174	or	TT248-180	TTG31/33
15.200 H, HA, HK, HS, HAK, HAS			1	TT248-174	or	TT248-180	TTG31/33
15.200 F, FK, FL, FS, FLS			1	TT248-174	or	TT248-180	TTG31/33
15.220 F, FK, FL, FS			1	TT248-174	or	TT248-180	TTG31/33
15.240 H, HA, HK, HS, HAK, HAS			1	TT248-174	or	TT248-180	TTG31/33
15.240 F, FK, FL, FS, FLS			1	TT248-174	or	TT248-180	TTG31/33
16.136 F, FR			1	TT248-174	or	TT248-180	TTG31/33
16.168 H, HA, HK, HS, HAK, HAS			1	TT248-174	or	TT248-180	TTG31/33
16.168 F, FK, FL, FS, FLS			1	TT248-174	or	TT248-180	TTG31/33
16.168 F-M1, F-M2, F-M3, F-KO, FL-SKM			1	TT248-174	or	TT248-180	TTG31/33
16.170 F, FK, FL, FS, FAK, FLS			1	TT248-174	or	TT248-180	TTG31/33
16.192 H, HA, HK, HS, HAK, HAS			1	TT248-174	or	TT248-180	TTG31/33
16.192 F, FA, FK, FL, FS, FAK, FLS			1	TT248-174	or	TT248-180	TTG31/33
16.192 F-M1, F-M2, F-M3, F-KO			1	TT248-174	or	TT248-180	TTG31/33
16.200 F, FK, F-KO, HK, HAK			1	TT248-174	or	TT248-180	TTG31/33
16.220 F, FA, FK, FL, FS			1	TT248-174	or	TT248-180	TTG31/33
16.240 H, HA, HK, HS, HAK, HAS			1	TT248-174	or	TT248-180	TTG31/33
16.240 F, FA, FK, FL, FS, FAK, FAS, FLS			1	TT248-174	or	TT248-180	TTG31/33
16.240 F, F-LF, FA-LF			1	TT248-174	or	TT248-180	TTG31/33
16.256 HK, HS, HAK, HAS, U			1	TT248-174	or	TT248-180	TTG31/33
16.256 F, FK, FL, FS, FLS			1	TT248-174	or	TT248-180	TTG31/33
16.230 HK, HS, HAK, HAS			1	TT248-174	or	TT248-180	TTG31/33
16.320 F, FK, FL, FS, FAK, FAS, FLS, U, UK			1	TT248-174	or	TT248-180	TTG31/33
19.240 H, HA, HK, FS, HAK, HAS			1	TT248-174	or	TT248-180	TTG31/33
19.240 F, FA, FK, FL, FS, FAK, FAS, FLS			1	TT248-174	or	TT248-180	TTG31/33
19.281 H, HA, HK, HS, HAK, HAS .			1	TT248-174	or	TT248-180	TTG31/33
19.281 F, FA, FK, FL, FS, FAK, FAS, FLS			1	TT248-174	or	TT248-180	TTG31/33
19.321 H, HA, HK, HS, HAK, HAS			1	TT248-174	or	TT248-180	TTG31/33
19.321 F, FA, FK, FL, FS, FAK, FAS, FLS			1	TT248-174	or	TT248-180	TTG31/33
19.321 U, UL			1	TT248-174	or	TT248-180	TTG31/33
19.331 F, FS, FK, FA			1	TT248-174	or	TT248-180	TTG31/33
19.361 F, FS			1	TT248-174	or	TT248-180	TTG31/33
20.240 DFAEG			1	TT248-174	or	TT248-180	TTG31/33
20.280 DFAEG			1	TT248-174	or	TT248-180	TTG31/33
20.281 FVLS			1	TT248-174	or	TT248-180	TTG31/33
20.291 FVLS			1	TT248-174	or	TT248-180	TTG31/33
20.320 FVLS			1	TT248-174	or	TT248-180	TTG31/33
20.321 FVLS			1	TT248-174	or	TT248-180	TTG31/33
20.361 FVLS			1	TT248-174	or	TT248-180	TTG31/33
22.192 DF, FNL			1	TT248-174	or	TT248-180	TTG31/33
22.200 FNL-M1			1	TT248-174	or	TT248-180	TTG31/33
22.220 FNL			1	TT248-174	or	TT248-180	TTG31/33
22.240 FNL			1	TT248-174	or	TT248-180	TTG31/33
22.281 FNL, FNLS			1	TT248-174	or	TT248-180	TTG31/33
22.291 FNL, FNLS			1	TT248-174	or	TT248-180	TTG31/33
22.320 DF, FNL, U, UK, UL, UNL			1	TT248-174	or	TT248-180	TTG31/33
22.321 FNL, FNLS, UNL			1	TT248-174	or	TT248-180	TTG31/33
22.331 FNL, FNLS			1	TT248-174	or	TT248-180	TTG31/33
22.361 FNL, FNLS			1	TT248-174	or	TT248-180	TTG31/33
26.240 HS, HAS			1	TT248-174	or	TT248-180	TTG31/33
26.240 DF, DFA, DFK, DFS, DFAS, DFAK			1	TT248-174	or	TT248-180	TTG31/33
26.240 DF-TM, DF-M2, DF-KO			1	TT248-174	or	TT248-180	TTG31/33
26.240 DH, DHA, DHK, DHS, DHAK, DHAS			1	TT248-174	or	TT248-180	TTG31/33
26.240 DH-TM, DHA-TM			1	TT248-174	or	TT248-180	TTG31/33
26.361 DFS			1	TT248-174	or	TT248-180	TTG31/33
26.365 DFK, DFS			1	TT248-174	or	TT248-180	TTG31/33
26.281 DF, DFA, DFK, DFS, DFAK, DFAS			1	TT248-174	or	TT248-180	TTG31/33
26.281 DFSL			1	TT248-174	or	TT248-180	TTG31/33

*Note: Last 3 numbers indicate opening temperature in °F. As climate may vary, refer to manufacturer's manual for correct temperature. Refer to pages 94 - 126 for alternate temperatures.

Heavy Vehicle Application List

Make and Model	Model Comments	Year	Qty per Engine	Thermostat Part No. Suggested Temperatures*			Gasket Part No.
MAN Trucks cont.							
26.281 DH, DHA, DHK, DHS, DHAK, DHAS			1	TT248-174	or	TT248-180	TTG31/33
26.320 DH, DHA, DHK, DHS, DHAK, DHAS			1	TT248-174	or	TT248-180	TTG31/33
26.320 DF, DFA, DFK, DFS, DFAK, DFAS			1	TT248-174	or	TT248-180	TTG31/33
26.320 DFSL, DF-KO			1	TT248-174	or	TT248-180	TTG31/33
26.321 DF, DFA, DFK, DFS, DFA			1	TT248-174	or	TT248-180	TTG31/33
26.321 DFAK, DFAS, DFSL			1	TT248-174	or	TT248-180	TTG31/33
26.321 DH, DHA, DHS, DHAK, DHAS			1	TT248-174	or	TT248-180	TTG31/33
26.331 DF, DFS, DFK			1	TT248-174	or	TT248-180	TTG31/33
26.361 DF, DFS			1	TT248-174	or	TT248-180	TTG31/33
26.365 DFK, DFS			1	TT248-174	or	TT248-180	TTG31/33
27.365 VFAEG			1	TT248-174	or	TT248-180	TTG31/33
30.240 DHK, DHAK, VF			1	TT248-174	or	TT248-180	TTG31/33
30.281 VF, VFA			1	TT248-174	or	TT248-180	TTG31/33
30.291 VF			1	TT248-174	or	TT248-180	TTG31/33
30.320 DH, DHK, DHS, DHAS, DHAK			1	TT248-174	or	TT248-180	TTG31/33
30.321 VF, VFA			1	TT248-174	or	TT248-180	TTG31/33
30.331 VF			1	TT248-174	or	TT248-180	TTG31/33
30.361 VF			1	TT248-174	or	TT248-180	TTG31/33
32.320 DFS, DFAK, DFAS			1	TT248-174	or	TT248-180	TTG31/33
32.240 DHK, DHAK			1	TT248-174	or	TT248-180	TTG31/33
32.281 DH, DHA, DHK, DHAK			1	TT248-174	or	TT248-180	TTG31/33
32.291 DH, DHS, DHK			1	TT248-174	or	TT248-180	TTG31/33
32.320 DFS, DFAK, DFAS			1	TT248-174	or	TT248-180	TTG31/33
32.321 DF, DFA, DFK, DFS, DFAK, DFAS			1	TT248-174	or	TT248-180	TTG31/33
32.321 DH, DHA, DHK, DHS			1	TT248-174	or	TT248-180	TTG31/33
32.331 DF, DFAS, DFAK			1	TT248-174	or	TT248-180	TTG31/33
32.361 DFS			1	TT248-174	or	TT248-180	TTG31/33
32.365 DFK, DFS			1	TT248-174	or	TT248-180	TTG31/33
38.320 DFK, DFS, DFAK, DFAS			1	TT248-174	or	TT248-180	TTG31/33
40.365			1	TT248-174	or	TT248-180	TTG31/33
40.440DF, DFA, DFS, DFAS			1	TT248-174	or	TT248-180	TTG31/33
48.321			1	TT248-174	or	TT248-180	TTG31/33
415, 420, 520, 620, 635, 650, 735, 850, 6.115, 7.126			1	TT275-174		-	-
415 FOC1/L, 415 L1, 420 OHC1/2, 520 L1, KMS 120			1	TT275-174		-	-
520 HK			1	TT1-174	or	TT1-180	TTG20U
520 L1			1	TT275-174		-	-
MASSEY - FERGUSON							
Tractors (Petrol and Diesel)							
MF 35, TO35, MF50, MH50, MF202, MF203, MF204			1	TT1-180		-	TTG20U
MF205, 135G, 150G, 165G, 175G, 185G			1	TT1-180		-	TTG20U
MF 303			1	TT218-180		-	Inc.
MF 410, MF 510	w/GMC Engine		1	TT1-180		-	TTG20U
MF 510	w/Perkins Engine		1	TT2-180		-	TTG20U
MERCEDES-BENZ							
Engines							
OM 314, OM 327			1	TT248-174	or	TT248-180	TTG31/33
OM 352, OM 352A, OM 355, OM 355A			1	TT248-174	or	TT248-180	TTG31/33
OM 360 III, OM 362, OM 362 LA, OM 364, OM 366			1	TT248-174	or	TT248-180	TTG31/33
OM 366 A, OM 366 LA			1	TT248-174	or	TT248-180	TTG31/33
OM 401, OM 402, OM 403, OM 404, OM 404A, OM 407			1	TT248-180		-	TTG31/33
OM 407A, OM 409, OM 421, OM 422, OM 422A			1	TT248-180		-	TTG31/33
OM 422LA, OM 423, OM 424, OM 424A, OM 440			1	TT248-180		-	TTG31/33
OM 442, OM 442LA			1	TT248-180		-	TTG31/33
OM 423LA			2	TT248-180		-	TTG31/33
OM 443, OM 444A/LA			1	TT248-180		-	TTG31/33
OM 615		To-8/73	1	TT248-174	or	TT248-180	TTG31/33
OM 615, OM 616, OM 617		9/73-on	1	TT247-180		-	TTG33

Make and Model	Model Comments	Year	Qty per Engine	Thermostat Part No. Suggested Temperatures*			Gasket Part No.
MERCEDES-BENZ Engines cont.							
OM 621 New			1	TT248-180		-	TTG31/33
OM 636			1	TT1-180		-	TTG61
M115		To 4/76	1	TT248-174	or	TT248-180	TTG31/33
M110, M115, M115 KV 23		5/76-on	1	TT248-180		-	TTG31/33
M121/68, M121/80, M121, M123, M130, M180			1	TT248-174	or	TT248-180	TTG31/33
Trucks							
L406D	OM 321	To 8/73	1	TT248-174	or	TT248-180	TTG31/33
207D, 307D, 407D, 409D		9/73-on	1	TT248-174	or	TT248-180	TTG31/33
L206D, L207D, L306D, L307D, L309D, L406D, L407D		73-on	1	TT247-180		-	TTG33
L409D	OM 615, OM 616, OM 617	73-on	1	TT247-180		-	TTG33
L206, L207, L307	Petrol A70		1	TT1-167	or	TT1-180	TTG29U
All 208, 210, 308, 310, 410			1	TT248-180		-	TTG31/33
L408, L409		To 4/76	1	TT248-174		-	TTG31/33
L408, L409, L410		5/76-on	1	TT248-192		-	TTG31/33
O 303, O 307		9/73-on	1	TT248-174		-	TTG33
O 309 D	OM 615, OM616, OM 617		1	TT247-180		-	TTG33
O 302, O 3021, O 321 H, O 321 HL, O 322, O322 H			1	TT248-174	or	TT248-180	TTG31/33
O 302, O 303, O 305, O 307, O 309, O 309 B, O 309 D			1	TT248-180		-	TTG31/33
O 317, O 317K, O 319, O 319 B, O 319 D, O 320			1	TT248-180		-	TTG31/33
O 321, O 322			1	TT248-180		-	TTG31/33
LF 8, LF 16, LF/LFA 113, LF 408, LF/LFH 710			1	TT248-180		-	TTG31/33
TLF 16 TRO, TLF 16, RW 1-3			1	TT248-180		-	TTG31/33
LB 608, LB1313		To 6/76	1	TT248-160		-	TTG31/33
LB 608, LB 1313		7/76-on	1	TT248-180		-	TTG31/33
MB-trac			1	TT248-180		-	TTG31/33
MB - trac 800/1100/1300			1	TT248-180		-	TTG31/33
U 40/421, U54/403, U66/403, U70/406, U80/413			1	TT248-180		-	TTG31/33
U 80/416, U84/406, U 90/416, U 90/416T, U 100			1	TT248-180		-	TTG31/33
U 100/416, U110/416			1	TT248-180		-	TTG31/33
U52/421, U 60/421 T		To 8/73	1	TT248-174		-	TTG31/33
U52/421, U 60/421 T		9/73-on	1	TT247-174		-	TTG33
U 110/416, U110/416 T, U120/425, U 125/416		To 6/76	1	TT248-180		-	TTG31/33
U 150/425, S 82			1	TT248-180		-	TTG31/33
U 600, U 600 L, U 600 T			1	TT247-174		-	TTG33
U 800, U 800 L, U 900, U 1000, U1100, U 1100 L			1	TT248-180		-	TTG31/33
U 1100 T, U 1300, U 1300 L, U 1500, U 1500 T			1	TT248-180		-	TTG31/33
U 1700, U 1700 T			1	TT248-180		-	TTG31/33
319 B, 319 D		7/59-on	1	TT248-180		-	TTG31/33
710, 911, 1113, 1413	Eng. D.E1		1	TT248-174	or	TT248-180	TTG31/33
405, 406, 407, 408 D, 508 D, 608, L 608 D, 613 D, LP 613			1	TT248-180		-	TTG31/33
709, 710, 808, 809, 810, 811, 813, 814, 911, 912, 913			1	TT248-180		-	TTG31/33
1013, 1017, 1113, 1114, 1120, 1213, 1217, 1219, 1222			1	TT248-180		-	TTG31/33
1313, 1317, 1319, 1413, 1414, 1417, 1417 C, 1419			1	TT248-180		-	TTG31/33
1419 C, 1422, 1424, 1425, 1513, 1517, 1519, 1613			1	TT248-180		-	TTG31/33
1614, 1617, 1617 C, 1619, 1619 C, 1621, 1622, 1624			1	TT248-180		-	TTG31/33
1625, 1626, 1628, 1632, 1633, 1635, 1636, 1638			1	TT248-180		-	TTG31/33
1644, 1719, 1813, 1819			1	TT248-180		-	TTG31/33
1919, 1923, 1924, 1926, 1928, 1932, 1933, 1936, 1938			1	TT248-180		-	TTG31/33
2024, 2026, 2028, 2032, 2033, 2036, 2219, 2219 C			1	TT248-180		-	TTG31/33

*Note: Last 3 numbers indicate opening temperature in °F. As climate may vary, refer to manufacturer's manual for correct temperature. Refer to pages 94 - 126 for alternate temperatures.

Heavy Vehicle Application List

Make and Model	Model Comments	Year	Qty per Engine	Thermostat Part No. Suggested Temperatures*			Gasket Part No.
MERCEDES-BENZ - Trucks cont.							
2222, 2224, 2226, 2228, 2232, 2233, 2238, 2626, 2628			1	TT248-180		-	TTG31/33
2632, 2633, 2638, 3328, 3333, 3336			1	TT248-180		-	TTG31/33
2624, 3850			as req'd	TT248-180		-	TTG31/33
MINNEAPOLIS-MOLINE							
Tractors (Petrol and Diesel)							
M5, M5	Diesel before #17201647	57-69	1	TT2-180		-	-
M5 Diesel	#17201647 and up	59-69	1	TT218-180		-	Inc.
M504 Diesel		59-69	1	TT218-180		-	Inc.
M602 Diesel, M670 Diesel, M670 Petrol		59-69	1	TT218-180		-	Inc.
504, HD800, GB, GBD, BTB, GTBD, GTC			1	TT2-180		-	TTG20U
605B			1	TT2-180		-	-
G, R, U, Z, GBT, UTL, BF, BG, UB, UTS		46-56	1	TT2-180		-	-
NISSAN UD 6 Cyl							
CG45	PE6T		1	TT330-170		-	-
CGA46	PE6T	89-92	1	TT330-170	or	TT330-180	-
CGB290	PF6T/A/B		1	TT375-170P		-	-
CGB320	PF6T/A/B		1	TT375-170P		-	-
CGB350	PF6T/A/B		1	TT375-170P		-	-
CGB450T	PF6T/A/B	92-96	1	TT375-170P		-	-
CK10	ND6		1	TT330-170	or	TT330-180	-
CK11	ND6		1	TT330-170	or	TT330-180	-
CK40	PD6T	84-89	1	TT330-170	or	TT330-180	-
CK45	PE6T		1	TT330-170		-	-
CKA46	PE6T	88-91	1	TT330-170	or	TT330-180	-
CKB290	PF6T/A/B		1	TT375-170P		-	-
CKB320	PF6T/A/B	98-04	1	TT375-170P		-	-
CKB350	PF6T/A/B		1	TT375-170P		-	-
CMA81	FD6/FD6T	70-	1	TT8078-170P		-	-
CMA86	FD6/FD6T	70-	1	TT8078-170P		-	-
CPB12	NE6/NE6T	85-89	1	TT377-170	or	TT377-180	-
CPC12	NE6/NE6T		1	TT377-170	or	TT377-180	-
CPC14	NE6T	89-93	1	TT377-170	or	TT377-180	-
CPC15	NE6T		1	TT377-170	or	TT377-180	-
CW40	PD6T		1	TT330-170	or	TT330-180	-
CW41	PD6T	84-91	1	TT330-170	or	TT330-180	-
CW45	PE6T		1	TT330-170		-	-
CWA12	NE6/NE6T		1	TT377-170	or	TT377-180	-
CWA14	NE6T		1	TT377-170	or	TT377-180	-
CWA15	NE6T		1	TT377-170	or	TT377-180	-
CWA46	PE6T	88-91	1	TT330-170	or	TT330-180	-
CWB290	PF6T/A/B		1	TT375-170P		-	-
CWB320	PF6T/A/B		1	TT375-170P		-	-
CWB350	PF6T/A/B	96-00	1	TT375-170P		-	-
CWB450K	PF6T	91-95	1	TT375-170P		-	-
KG50 CRANE	RD8 / RE8		1	TT330-170		-	-
KG51 CRANE	RD8 / RE8		1	TT330-170		-	-
KG52 CRANE	RD8 / RE8		1	TT330-170		-	-
KG53 CRANE	RD8 / RE8		1	TT330-170		-	-
KG54 CRANE	RD8 / RE8		1	TT330-170		-	-
NUFFIELD (Tractors)							
All			1	TT1-180		-	TTG29U
OLIVER							
Wheel Tractor							
44HC, 55D, 55HC, S55D, S55HC, 60HC, 60KD		38-58	1	TT218-180		-	Inc.
66D, 66HC, 66KD, S66D, S66HC, 77D, 77HC, 77G		38-58	1	TT218-180		-	Inc.
77 LPG, 77KD, S77D, S77HC, 88D, 88HC, 88G		38-58	1	TT218-180		-	Inc.
88LPG, 88KD, S88D, S88HC, 90HC, 95D, 95HC		38-58	1	TT218-180		-	Inc.
99D, 99HC, 99KD, S99D, S99HC		38-58	1	TT218-180		-	Inc.
440HC, 550D, 550HC, 550G, 550LPG, 660D		59-67	1	TT218-180		-	Inc.

Make and Model	Model Comments	Year	Qty per Engine	Thermostat Part No. Suggested Temperatures*			Gasket Part No.
OLIVER – Wheel Tractor cont.							
660HC, 770D, 770HC, 770G, 770LPG, 880D		59-67	1	TT218-180		-	Inc.
880HD, 880G, 880LPG, 950D, 950HC		59-67	1	TT218-180		-	Inc.
1550G, 1550LPG, 1550D			1	TT218-180		-	Inc.
1600G, 1600LPG, 1650G and 1650LPG	Series # 124420 to # 139392		1	TT218-180		-	Inc.
1600D and 1650D	Series # 124420 to # 139392		1	TT218-180		-	Inc.
1900D, 1950D			1	TT219-180		-	-
Crawler Tractors							
OC4-3D, OC4-3G, OC6D, OC6G		54-66	1	TT218-180		-	Inc.
OC9D, OC9G		64-66	1	TT218-180		-	Inc.
OC9D, OC9G, B Series		63-66	1	TT1-180		-	TTG20U
AD6, AG6		42-59	1	TT1-180		-	TTG20U
BD, BGS, DD, DG			1	TT218-180		-	Inc.
OM (See Iveco - Fiat - OM)							
OPEL							
Opel Blitz Diesel			1	TT238-170	or	TT238-180	Inc.
Bedford Blitz F1-F9			1	TT1-180		-	-
D5034			1	TT1-167	or	TT1-170	-
E1016, E1034	7.5L 120PS		1	TT1-180		-	-
E1016, E1034, E3016, E3034, E3034, E5016, D5034			1	TT1-167	or	TT1-170	-
E2034, E4034, E5016, E5034, E6034, E7034			1	TT1-180		-	-
F6016, F6035, F7035, F7036			1	TT1-180		-	-
G1-G4, G6, G7, G9, G4036, G6035, G6036, G7035			1	TT1-180		-	-
G7036, G9036			1	TT1-180		-	-
H2-4, H6, H7			1	TT1-180		-	-
F6096, F7096, G6096, G7096, G9096, H4096			1	TT234-180	or	TT234-192	-
PERKINS							
P 3, 3/144, 3/152			1	TT1-180		-	TTG29U
3 A/152 D, 3/152 u			1	TT1-180		-	TTG29U
L4, P4			1	TT1-180		-	TTG29U
4/99, 4 A/236			1	TT1-180		-	TTG29U
4/107, 4/108, 4/236			1	TT1-180		-	TTG29U
4 A/212, 4 A/248, 4 A/270, 4 A/270 D			1	TT1-180		-	TTG29U
P 6, 6/305, 6/340			1	TT1-180		-	TTG29U
V 8/510			2	TT1-170	or	TT1-180	TTG29U
L 4-M/Ferguson 780 Combine			1	TT1-180		-	TTG29U
4 A/270-M/Ferguson 780 Combine			1	TT1-180		-	TTG29U
4 A/236-M/Ferguson			1	TT1-180		-	TTG29U
M/Ferguson, F.E. 35			1	TT1-180		-	TTG29U
3.144, A3.144, 3.152, A3.152, D3.152			1	TT1-180		-	TTG20U
AD3.152, 4.99, A4.99, 4.107, A4.107			1	TT1-180		-	TTG20U
4.108, 4.192, 4.203, A4.236, A4.212			1	TT1-180		-	TTG20U
A4.248, 6PF 288, 6PF 305, DZ101, 4.270, V8.510			1	TT1-180		-	TTG20U
TV 8.510			1	TT1-180		-	TTG20U
D4.203, AD 4.203, 4.236			1	TT271-180		-	-
Diesel			1	TT1-180		-	TTG20U
P3, P4, P6, L4, 3-152, 4-99			1	TT1-180		-	TTG20U
6.354 (IHC)			1	TT1-180		-	TTG20U
4.108, 4.154, 4.203, G4.203, G3, 3152, D3, 152			1	TT1-180		-	TTG20U
NA-50, NA-70			1	TT1-180		-	TTG20U
T6.354.3			2	TT228-180		-	TTG20U
RENAULT							
Traffic Traction T800, 1000, 1200							
R2130, 2137			1	TT237-170	or	TT237-180	Inc.
T.0 Petrol, 1397ccm		9/81-on	1	TT237-170	or	TT237-180	Inc.
T.1 1647ccm Petrol		3/81-on	1	TT237-170	or	TT237-180	Inc.
T.3 2068ccm Diesel		7/82-on	1	TT249-174	or	TT249-180	TTG31
Traffic Propulsion P1000, 1200, 1400							
P.0 Petrol, 1397ccm		3/81-on	1	TT237-170	or	TT237-180	Inc.

*Note: Last 3 numbers indicate opening temperature in °F. As climate may vary, refer to manufacturer's manual for correct temperature. Refer to pages 94 - 126 for alternate temperatures.

Heavy Vehicle Application List

Make and Model	Model Comments	Year	Qty per Engine	Thermostat Part No. Suggested Temperatures*			Gasket Part No.
RENAULT – Traffic Propulsion P1000, 1200, 1400 cont.							
P.2 1995 Petrol		7/82-on	1	TT248-192		-	TTG33
P.3 Diesel, 2068ccm		7/82-on	1	TT249-174	or	TT249-180	TTG31
Traffic 4x4 V1 1647ccm Petrol		3/81-on	1	TT237-180		-	Inc.
Traffic 4x4 V3 2068ccm Diesel		3/81-on	1	TT249-174	or	TT249-180	TTG31
Master traction T28, 30, 35, R2 1995ccm Petrol		3/81-on	1	TT277-192		-	TTG33
Master traction T28, 30, 35, R3 2068ccm Diesel		9/81-on	1	TT249-174	or	TT249-180	TTG31
Master Propulsion 28, 30, 35		9/81-on	1	TT249-174	or	TT249-180	TTG31
Q2 1995ccm Petrol		9/81-on	1	TT277-192		-	TTG33
Master P30D, P35D, T30D, T35D	Eng. S8U, 2.4 Diesel		1	TT230-174		-	-
REO ENGINES (Petrol and LPG)							
OA-255, OA-292 and OA-331	To eng. #209784		1	TT2-180		-	TTG20U
OA-110, OA-130, OA-145 and OH-170	Eng. # 209785 to eng.#235649		1	TT218-180		-	Inc.
OA-110, OA-130, OA-145 and OH-170	Eng. #235650 and up		1	TT8700-170P	or	TT8700-180P	TTG67+ TTG20U
OH-160	To Eng. #209784		1	TT2-180		-	-
OH-160	Eng. #209785 and up		1	TT218-180		-	Inc.
OH-186, OH-200			1	TT8700-170P	or	TT8700-180P	TTG67+ TTG20U
OV-195, OV-220			1	TT218-180		-	Inc.
OV-207, OV-235			1	TT8700-170P	or	TT8700-180P	TTG67+ TTG20U
GC-245, GC-288, GC-310			1	TT2-180		-	-
SCANIA							
Engines							
D5, DS5, D8, D8L03, DS8, DS8L06			1	TT248-174	or	TT248-180	TTG31/33
D8, D11, D14		82-on	1	TT292-174		-	-
D 11, D 11 L 03			1	TT248-174		-	TTG31/33
DS 11, DS 11 L 05, DS 11 L 07			1	TT248-174		-	TTG31/33
DS 14, DS 14 LB 01			1	TT248-174		-	TTG31/33
Trucks							
L 50, L 56, L 66, L 75, L76, L 80, LB 80			1	TT248-174	or	TT248-180	TTG31/33
L 81, LB 81, LD 81, L 85, LB 85, LS 85, LBS 85			1	TT248-174	or	TT248-180	TTG31/33
L 86, LB 86, LD 86, LS 86, LBS 86, LDS 86			1	TT248-174	or	TT248-180	-
BR 86, CR 86, B 86, BF 86, BR 86			1	TT248-174	or	TT248-180	TTG31/33
L 110, LB 110, LS 110			1	TT248-174		-	TTG31/33
L 111, LB 111, LS 111, LT 111			1	TT248-174		-	TTG31/33
LBS 111, LBT 111, SBA 111, SBAT 111			1	TT248-174		-	TTG31/33
L 140, LB 140, LS 140, LBS 140, LBT 140			1	TT248-174	or	TT248-180	TTG31/33
L 141, LS 141, LB 141, LBS 141, LBT 141		77-on	1	TT263-174		-	-
LT 145, M 142			1	TT248-174	or	TT248-180	TTG31/33
L 146		77-on	1	TT263-174		-	-
G 82, P 82, T 82, G 112, P 112, R 112, T 112, R 142		80-on		TT292-174P		-	-
T 142, F - S82, BR 112 DH, F - S112			1	TT292-174P		-	-
B 111, BF 111, BR 112, K 112			1	TT248-174	or	TT248-180	TTG31/33
SKODA							
100.05, 100.45	MS 637 MS 638 eng.		1	TT248-174		-	TTG31/33
STUDEBAKER TRUCKS							
Petrol eng.							
6 and 8 cyl		61-66	1	TT1-180		-	TTG20U
6 cyl.		52-60	1	TT1-180		-	TTG20U
V8		52-60	1	TT1-180		-	TTG20U
VOLKSWAGEN							
LT 28, LT 31, LT 35	Petrol 4 cyl.		1	TT272-192		-	TTG28
LT 28D, LT 31D, LT 35D	Diesel 4 cyl.	To-9/81	1	TT272-192		-	TTG28
LT 28, LT 31, LT 35	Diesel 4 cyl.	10/81-on	1	TT234-192		-	TTG28
All Petrol 4 cyl.			1	TT272-192		-	TTG28
LT 40, LT 40 A, LT 45, Diesel, Turbodiesel		To- 8/83	1	TT248-174	or	TT248-180	TTG33
LT 40, LT 40 A, LT 45, Diesel, Turbodiesel		9/83-2/87	1	TT248-174	or	TT248-180	TTG33
Transporter 1.6L Diesel, Turbodiesel		3/87-on	1	TT234-180		-	TTG28

Make and Model	Model Comments	Year	Qty per Engine	Thermostat Part No. Suggested Temperatures*			Gasket Part No.
VOLKSWAGEN cont.							
Transporter Type II	Petrol		1	TT273-192		-	-
Transporter	Wasserboxer eng.		1	TT274-192		-	-
LT All 6 cyl.		To-83	1	TT247-180	or	TT247-192	TTG33
VOLVO (Trucks)							
F4	Eng. D39		1	TT233-180		-	TTG20U
F4	Eng. TD40		1	TT233-160	or	TT233-180	TTG20U
F6	Eng. D60		2	TT233-180		-	TTG20U
F6S	Eng. TD60		2	TT233-180		-	TTG20U
B54, F84, N84, F85	Eng. D50 A,B/TD50 A,B		2	TT233-180		-	TTG20U
B57, F86, N86	Eng. D70, TD70		2	TT233-180		-	TTG20U
C303, C304, C306			1	TT216-180P		-	TTG49
N7	Eng. TD70		2	TT233-180		-	TTG20U
F7, N7	Eng. TD 70G		2	TT233-180		-	TTG49
N10, F88, G88 N88	Eng. D100, A, B/TD 100A		2	TT233-180		-	TTG20U
F10	Eng. TD 100B		3	TT233-180		-	TTG20U
F12, N12, F89, G89	Eng. TD 120A		as req'd	TT233-180		-	TTG20U
F12, N12, F89, G89	Eng. TD 120C, D, E, F, G		3	TT233-180		-	TTG20U
B10M, B10R, B58	Eng. THD 100 A,D		3	TT233-160		-	TTG20U
F12	Eng. TD 121 G, F	83-on	1	TT8800-180P		-	TTG65- TTG20U
WHITE ENGINES (Petrol)							
110A, 130A, 145A, 170A			1	TT8700-170P	or	TT8700-180P	TTG67+ TTG20U
186A, 200A, 235A, 370A, 380A, 390A, 450A			1	TT8800-170P	or	TT8800-180P	TTG65+ TTG20U
460A, 462A, 470A, 490A			1	TT8800-170P	or	TT8800-180P	TTG65+ TTG20U
WILLYS							
ALL			1	TT1-180		-	TTG20U
ZETOR							
8011, 8045, 10011, 10045, 12011, 12045			1	TT248-174	or	TT248-180	TTG31/33
8111, 8145, 10111, 10145, 12111, 12145, 16145			1	TT248-174	or	TT248-180	TTG31/33
8345, 8911, 9311, 9345, 10311, 10345, 11011			1	TT248-174	or	TT248-180	TTG31/33
11045, 12311, 12945, 14345, 16345, 18345			1	TT248-174	or	TT248-180	TTG31/33

*Note: Last 3 numbers indicate opening temperature in °F. As climate may vary, refer to manufacturer's manual for correct temperature. Refer to pages 94 - 126 for alternate temperatures.



This section assists in identifying the correct product from the range of Tridon thermostats. A diagram of each series (not to scale) shows dimensions in millimetres. Commencement to open temperature of each thermostat is shown in °C.

The last three digits of the part number are the opening temperature in °F. The fully open temperature is approximately 12°C above the commencement to open temperature or crack point of the thermostat. Always refer to the vehicle application list for the correct thermostat.

For packaging and merchandising details refer to pages 2 and 3.

Thermostats Standard & High Flow



Function

The thermostat is a mechanical temperature control valve assembly used in the vehicle cooling system to regulate the temperature of the engine. The thermostat allows the circulation of coolant from the engine through the radiator once the predetermined temperature is achieved. There are two types of thermostat:

Wax Pellet Thermostats

Utilises a wax pellet (power pill) to enable the operation of the primary valve once the nominated thermostat temperature has been achieved.

Electronically Controlled Thermostats

Enables electronic operation of the control valve, delivering more accurate and immediate temperature control. Current applications are limited to high end European vehicles.

The thermostat does not create heat within a vehicle cooling system; the thermostat reacts to changes in temperature caused by internal combustion and responds to these changes in temperature by opening and closing the primary valve.

High Flow Thermostats



High flow thermostats improve cooling system performance and are designed to interchange with the original thermostat. They are manufactured with a larger primary valve enabling up to 30% more coolant flow. High flow thermostats provide:

- Increased cooling system efficiency
- Even temperature control
- Improved fuel economy
- Reduced engine wear



They are ideal for high performance applications or where additional load is placed on the engine (e.g. towing).

High flow thermostats should not be used to mask alternate cooling system faults, always ensure that the entire cooling system is in good working order as part of thermostat installation.

Quality

Tridon thermostats are manufactured from high quality stainless steel and copper to resist the corrosive effect of engine coolant. They meet or exceed OEM standards and are 100% tested and calibrated for opening temperature and maximum opening temperature during the manufacturing process.

Thermostats

Thermostat Styles

Two main types of thermostat design are commonly used including **Conventional Thermostats** and **Bypass Thermostats** (Dual Valve or Reverse Poppet). Both can be individual units or incorporated in specially designed thermostat housing assemblies.

Conventional Thermostats

Conventional thermostats operate utilising a single primary valve. During operation the primary valve opens allowing coolant to flow to the radiator once the predetermined temperature of the thermostat has been achieved. More commonly used in early vehicle applications, conventional thermostats are still widely used in modern cooling systems.

Bypass Thermostats

Bypass thermostats operate utilising a main primary valve along with a secondary valve located at the foot of the thermostat assembly. The primary valve operates as per conventional (non-bypass) design. The secondary valve is utilised during engine warm up, allowing coolant to be circulated through the engine. Bypass style thermostat design enables the temperature of the engine to rise more evenly, minimising hot and cold spots within the engine.

Thermostat Selection

The Tridon thermostat range has been developed to operate within original equipment manufacturer's specifications. As the thermostat must be compatible with the vehicle cooling system, always refer to the vehicle application list to ensure the correct part number is selected. Failure to use the correct thermostat may result in severe engine damage.

Always check the following prior to installing a new thermostat:

- Thermostat style (Non-Bypass or Bypass)
- Thermostat dimensions
- Correct operating temperature

Additional vehicles and applications may have been introduced after the time of catalogue printing. For complete, up to date vehicle application listings refer to the Tridon website www.tridon.com.au (or www.tridon.co.nz) and go to Tridon Part Finder.



Thermostat Installation

Conventional Thermostat Application - Correct

Figure 1 shows the installation of the correct conventional style thermostat. When the engine is cold the primary valve is closed preventing the flow of coolant to the radiator. As the engine reaches the predetermined temperature the primary valve opens. Full coolant flow is directed through the primary valve towards the radiator.

Conventional Thermostat Application - Incorrect

Figure 2 shows the installation of an incorrect bypass thermostat in a conventional (non-bypass) application.

When the engine is cold the primary valve is closed preventing the flow of coolant to the radiator. As the engine reaches the predetermined temperature the primary valve **cannot** open due to the restriction of the secondary valve by the design of the assembly. As a result coolant cannot circulate through the engine cooling system, **significant engine damage may result as part of this incorrect installation.**

Bypass Thermostat Application - Correct

Figure 3 shows the installation of the correct bypass style thermostat.

When the engine is cold the primary valve is closed preventing the flow of coolant to the radiator. The secondary valve is open directing the flow of coolant back through the engine bypass valve allowing the engine temperature to rise quickly. As the engine reaches the predetermined temperature the primary valve opens and the secondary valve closes over the bypass valve.

Figure 4 shows the primary valve in the fully open position and the secondary valve blocking the engine bypass valve inside the assembly. Full coolant flow is directed through the primary valve towards the radiator.

Bypass Thermostat Application - Incorrect

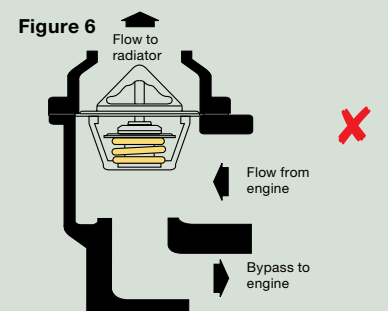
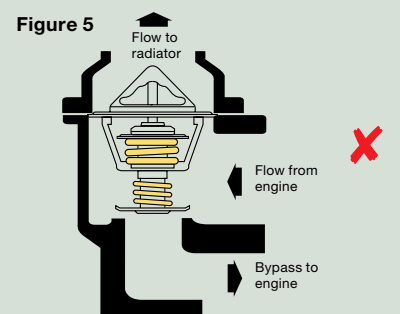
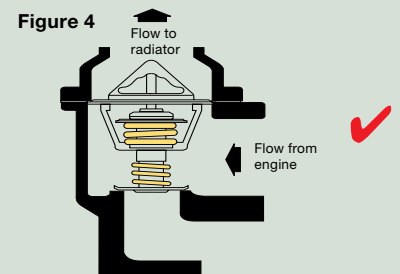
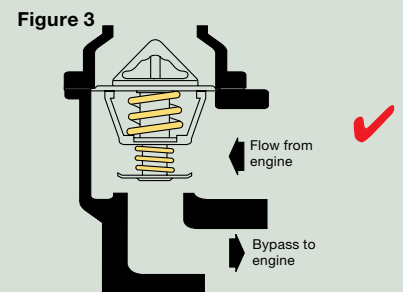
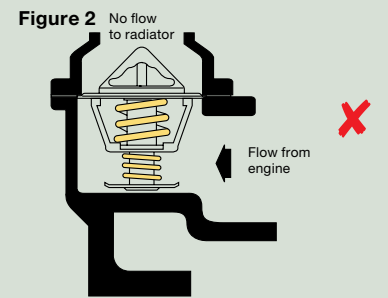
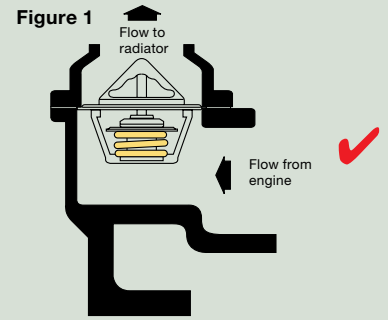
Figure 5 shows the installation of an incorrect bypass thermostat in a bypass application. The primary valve is in the fully open position; the secondary valve is **not** blocking the engine bypass valve inside the assembly.

Only partial flow of coolant is directed towards the radiator, the remaining hot coolant continues to circulate through the system via the engine bypass valve. As a result the cooling efficiency system is reduced leading to higher engine temperatures and potential premature failure of other components within the cooling system.

Bypass Thermostat Application - Incorrect

Figure 6 shows the installation of an incorrect conventional (non-bypass) thermostat in a bypass application.

The conventional thermostat without a foot valve allows unrestricted flow of the hot coolant through the system via the engine bypass valve whilst primary valve is in the full open position. As a result the cooling efficiency system is greatly reduced leading to much higher engine temperatures and potential premature failure of other components within the cooling system.



Thermostats

Thermostat Temperature

The thermostat operating temperature is predetermined; in wax style thermostats the predetermined temperature is governed by the properties of the wax pellets used.

The fully open temperature of the thermostat is designated by the maximum travel point of the primary valve. The maximum opening temperature may vary depending on the thermostat design; usually the maximum opening temperature of the thermostat is 10°C to 14°C above the crack point. Thermostats are available in various predetermined temperatures, most commonly with opening temperatures of between 70°C to 100°C.

The thermostat is an integral part of modern engine operation, it is crucial that the correct engine temperature be achieved quickly and maintained in order for the engine management system to operate as required.

Modern engines with complex engine management systems run at higher temperatures than earlier less complex designs. Higher engine temperatures (higher thermostat temperatures) enable increases in engine power output, along with decreases in fuel consumption and exhaust emissions.

Jiggle Pin

A jiggle pin or pressure relief hole is incorporated in some thermostat designs. The function of a jiggle pin or pressure relief hole is used to disperse air build up from behind the primary valve of the closed thermostat.

Air build up can lead to problems with heat transfer of the coolant to the wax pellet and alter or delay the desired opening temperature of the thermostat.



Frequently Asked Questions

Q) Why does the engine run hotter with the new thermostat than the old one?

- Incorrect thermostat selection and installation. Refer to application list for correct applications.
- Incorrect fault diagnosis. Faults should be diagnosed and repairs carried out by a trained professional in accordance with the manufacturers' specification.
- Incorrect coolant mix or specification may result in changes in coolant boiling point and engine temperature.
- Air pockets within the cooling system may affect thermostat opening temperature.

Q) How long should a thermostat last?

- Dependant on cooling system condition. Poor cooling system condition (corrosion/calcium build up) may reduce thermostat service life.
- General replacement time is 3-5 years (dependant on cooling system service history).
- Tridon thermostats are tested to 100,000 cycles.

Q) How far should the thermostat open?

- Directly related to diameter of the primary valve and thermostat opening temperature.
Maximum opening point = $\frac{1}{4}$ x primary valve diameter.
Maximum opening point = 10°C - 14°C above opening temperature.

Q) Why does the thermostat not open when I test it?

- Poor testing procedure. See correct testing procedure (page 92-93)
- High thermostat opening temperature - 90°C and above require higher testing temperatures
- Heat loss - incorrect testing procedure (pouring boiling water onto cold thermostat) will result in a thermostat testing failure.

Q) I have recently replaced a thermostat to overcome an overheating problem and the vehicle is still overheating?

- Alternate cooling system component failure -
 1. Radiator Cap
 2. Fan Switch
 3. Fan / Water Pump Belt Tension or Condition
 4. Coolant Level / Coolant Mix
 5. Hose Leakage
 6. Water Pump
 7. Radiator Blockage
 8. Radiator Condition
 9. Air Pockets in Cooling System

Thermostats

Thermostat Testing Procedure

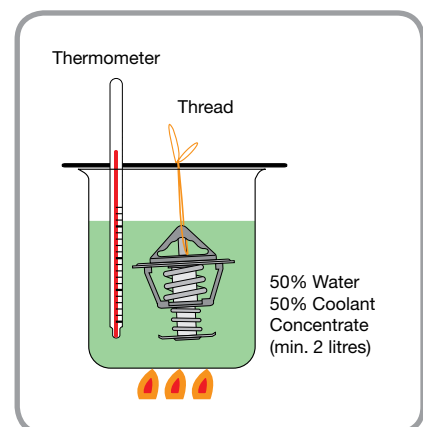
A thermostat should be tested as detailed below. For accurate and valid results the tests should be performed under carefully controlled conditions.

1. Inspect the thermostat for signs of damage, corrosion or heat stress. Replace the thermostat if these conditions are present.
2. To test the operation of the thermostat, fill the test container with 50% water and 50% coolant concentrate (minimum 2 litres).
3. Open the thermostat and insert a fine thread under the primary valve.
4. Suspend the thermostat by the thread in the container. The thermostat must be fully submerged and not touch any part of the container.
5. Place a thermometer into the coolant so that the bulb is adjacent to the thermostat wax pellet (power pill).
6. Heat the coolant slowly from cold to activate the wax pellet correctly. Agitate the coolant mix for accurate results.
7. Observe the thermometer and note the temperature as the thermostat drops from the thread. This reading indicates the opening temperature of the thermostat.
8. The temperature should be increased and the thermostat observed to ensure that it fully opens. The thermostat should be fully open at a temperature approximately 12°C (22°F) above the specified opening temperature. For example a thermostat with an opening temperature of 82°C should be fully open at 82°C + 12°C = 94°C
9. Travel distance to achieve the fully open temperature is $\frac{1}{4}$ of the primary valve diameter. For example, primary valve diameter 24mm \div 4 = 6mm. 6mm travel is the fully open extended position.

NOTE: There is a tolerance of 2.5°C plus or minus of the nominated temperature rating, the thermostat should be replaced if it opens at a temperature more than 6°C (11°F) below or 3°C (5°F) above the specified opening temperature.

Testing needs to be conducted with the coolant heated at a slow, steady rate and with the thermostat being placed into the water at room temperature. This allows the thermostat to heat up evenly to the operating temperature, and simulate normal vehicle thermostat operation.

If the coolant is allowed to heat too quickly it may begin to boil, bubbles may form around thermostat and not allow correct heat transfer to the power pill. This may lead to inaccurate test results.



When cool, carefully examine the thermostat valve to ensure it has returned to the closed position (valve seated). If it does not seat correctly, the thermostat should be replaced.

If the correct thermostat operational specifications are not achieved during the first test repeat the test procedure. In some cases a used thermostat may require several operational cycles to enable correct operation. This may occur in cases where the thermostat has been exposed to high temperatures, dirty cooling systems or left for a period of time between vehicle operation and testing.

Incorrect Thermostat Testing Procedure

If these test procedures are not followed, the thermostat testing cannot be guaranteed and may lead to inaccurate test results.

Common incorrect thermostat tests include:

- Pouring boiling water on the thermostat and it not opening!
- Dropping the thermostat into boiling water.
- Placing the thermostat in a microwave to heat the coolant (water)!

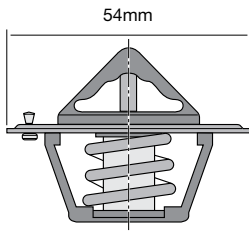
Thermostat Calibration

All Tridon thermostats are individually calibrated during the manufacturing process to ensure 100% operation prior to sale.

Each Tridon thermostat is stamped with the rated temperature. This rated temperature is the commencement or opening temperature of the thermostat, the fully open temperature is between 10°C - 14°C above the opening temperature.

TT1 Series

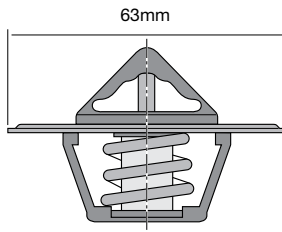
Conventional style thermostat with jiggle pin.



Temp.	Part No.	Temp.	Part No.
71°C	TT1-160	82°C	TT1-180
75°C	TT1-167	88°C	TT1-190
77°C	TT1-170	89°C	TT1-192
79°C	TT1-174	91°C	TT1-195

TT2 Series

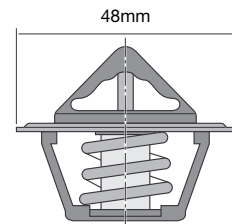
Conventional style thermostat.



Temp.	Part No.
71°C	TT2-160
77°C	TT2-170
82°C	TT2-180
91°C	TT2-195

TT4 Series

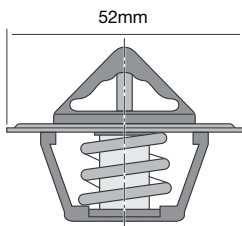
Conventional style thermostat.



Temp.	Part No.	Temp.	Part No.
82°C	TT4-180	92°C	TT4-198
85°C	TT4-185		
89°C	TT4-192		
91°C	TT4-195		

TT6 Series

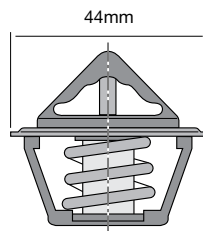
Conventional style thermostat.



Temp.	Part No.
71°C	TT6-160
82°C	TT6-180
88°C	TT6-190

TT203 Series

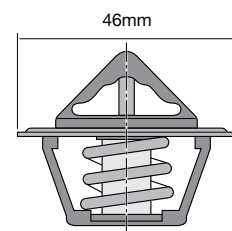
Conventional style thermostat.



Temp.	Part No.
82°C	TT203-180
91°C	TT203-195

TT204 Series

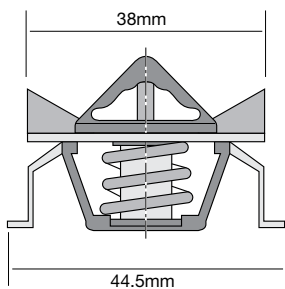
Conventional style thermostat.



Temp.	Part No.
79°C	TT204-174

TT207 Series

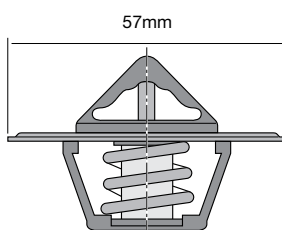
Special design, gasket included.



Temp.	Part No.
89°C	TT207-192

TT208 Series

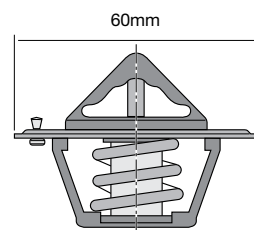
Conventional style thermostat.



Temp.	Part No.
77°C	TT208-170
82°C	TT208-180

TT209 Series

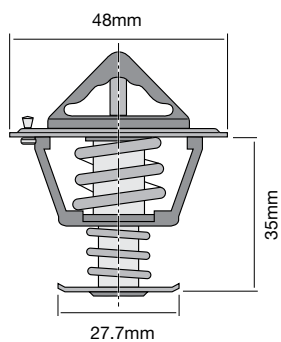
Conventional style thermostat with jiggle pin.



Temp.	Part No.
71°C	TT209-160

TT214 Series

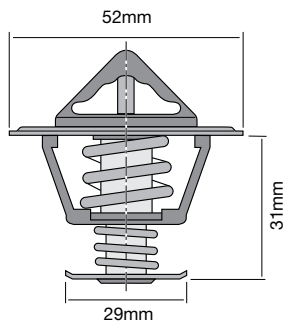
Bypass style thermostat with jiggle pin.



Temp.	Part No.	Temp.	Part No.
60°C	TT214-140	89°C	TT214-192
71°C	TT214-160		
77°C	TT214-170		
82°C	TT214-180		

TT215 Series

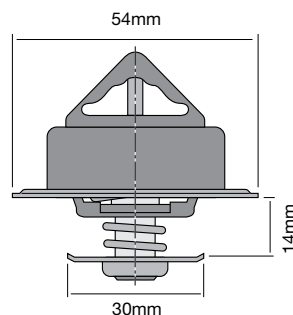
Bypass style thermostat.



Temp.	Part No.
82°C	TT215-180

TT216 Series

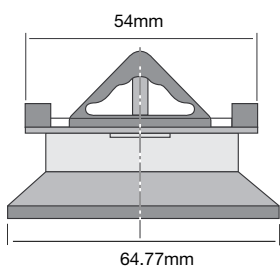
Bypass style thermostat.



Temp.	Part No.
82°C	TT216-180P
89°C	TT216-192P

TT218 Series

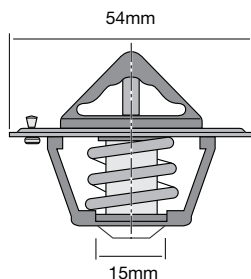
Special design, gasket included.



Temp.	Part No.
71°C	TT218-160P
82°C	TT218-180P

TT219 Series

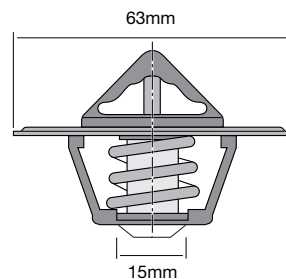
Bypass style thermostat with jiggle pin.



Temp.	Part No.
71°C	TT219-160
82°C	TT219-180

TT220 Series

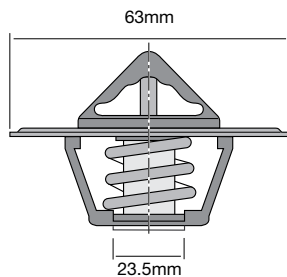
Bypass style thermostat.



Temp.	Part No.
71°C	TT220-160
82°C	TT220-180

TT221 Series

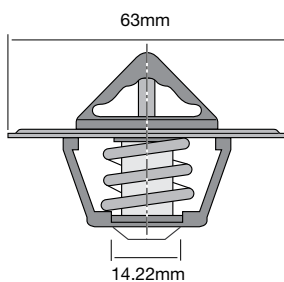
Bypass style thermostat.



Temp.	Part No.
71°C	TT221-160
77°C	TT221-170
82°C	TT221-180

TT222 Series

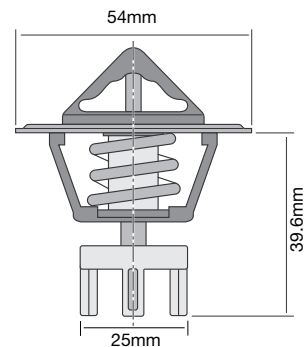
Bypass style thermostat.



Temp.	Part No.
71°C	TT222-160
82°C	TT222-180

TT224 Series

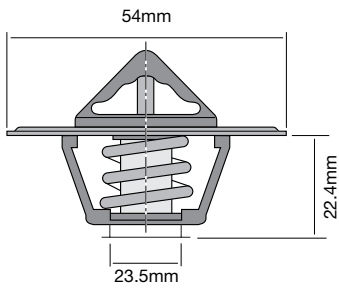
Bypass style thermostat.



Temp.	Part No.
82°C	TT224-180
91°C	TT224-195

TT225 Series

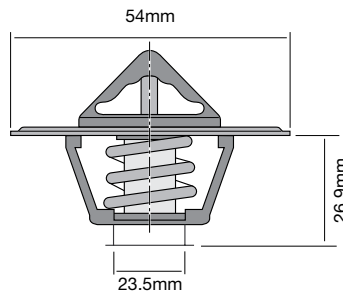
Bypass style thermostat.



Temp. Part No.
 71°C TT225-160
 82°C TT225-180
 91°C TT225-195

TT226 Series

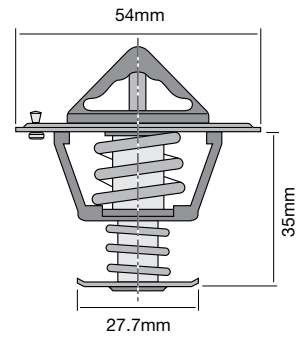
Bypass style thermostat.



Temp. Part No.
 71°C TT226-160
 82°C TT226-180
 91°C TT226-195

TT228 Series

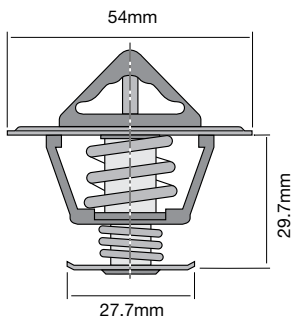
Bypass style thermostat with jiggle pin.



Temp. Part No.
 71°C TT228-160
 77°C TT228-170
 82°C TT228-180
 91°C TT228-195

TT229 Series

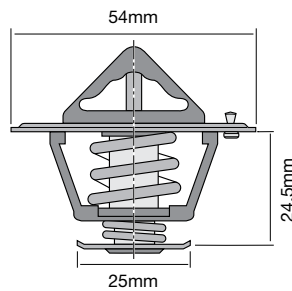
Bypass style thermostat.



Temp. Part No.
 77°C TT229-170
 82°C TT229-180
 91°C TT229-195

TT230 Series

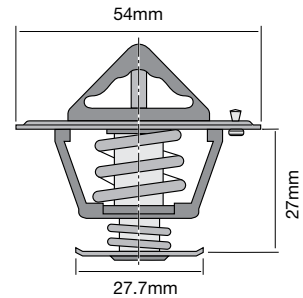
Bypass style thermostat with jiggle pin.



Temp. Part No. Temp. Part No.
 75°C TT230-167 89°C TT230-192
 77°C TT230-170
 79°C TT230-174
 82°C TT230-180

TT231 Series

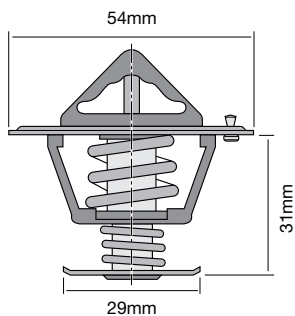
Bypass style thermostat with jiggle pin.



Temp. Part No.
 75°C TT231-167
 82°C TT231-180
 89°C TT231-192

TT233 Series

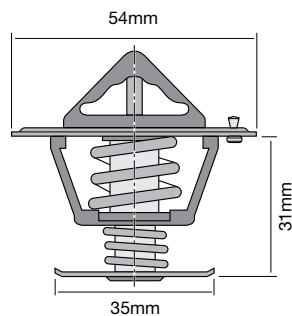
Bypass style thermostat with jiggle pin.



Temp. Part No. Temp. Part No.
 71°C TT233-160 91°C TT233-195
 77°C TT233-170
 82°C TT233-180
 89°C TT233-192

TT234 Series

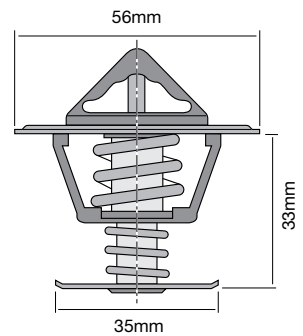
Bypass style thermostat with jiggle pin.



Temp. Part No.
 71°C TT234-160
 82°C TT234-180
 89°C TT234-192
 91°C TT234-195

TT235 Series

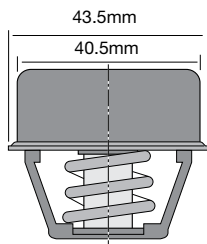
Bypass style thermostat.



Temp. Part No.
 75°C TT235-167
 82°C TT235-180
 91°C TT235-195

TT237 Series

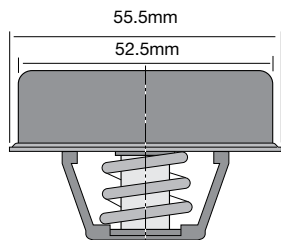
Special design.



Temp. Part No.
 77°C TT237-170P
 82°C TT237-180P
 89°C TT237-192P

TT238 Series

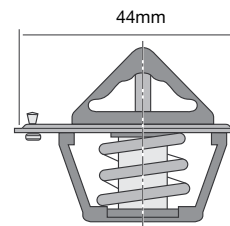
Special design.



Temp. Part No.
 71°C TT238-160
 77°C TT238-170
 82°C TT238-180

TT239 Series

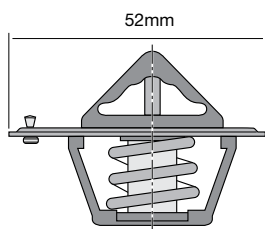
Offset conventional style thermostat with jiggle pin.



Temp. Part No.
 82°C TT239-180
 85°C TT239-185
 89°C TT239-192

TT240 Series

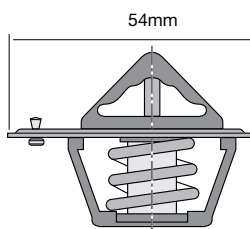
Offset conventional style thermostat with jiggle pin.



Temp. Part No.
 71°C TT240-160
 82°C TT240-180
 89°C TT240-192

TT241 Series

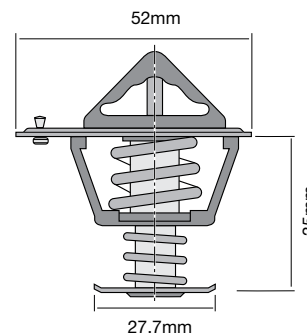
Offset conventional style thermostat with jiggle pin.



Temp. Part No.
 77°C TT241-170
 82°C TT241-180
 85°C TT241-185
 88°C TT241-190

TT242 Series

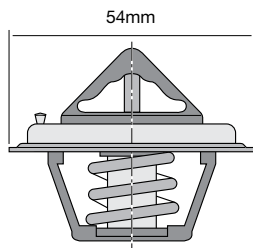
Offset bypass style thermostat with jiggle pin.



Temp. Part No.
 77°C TT242-170
 82°C TT242-180
 89°C TT242-192

TT244 Series

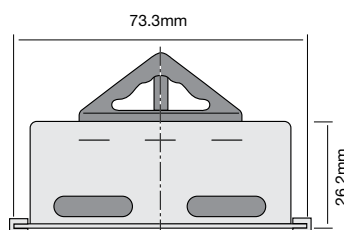
Conventional style thermostat with jiggle pin.



Temp. Part No.
 82°C TT244-180
 89°C TT244-192
 91°C TT244-195
 92°C TT244-198

TT245 Series

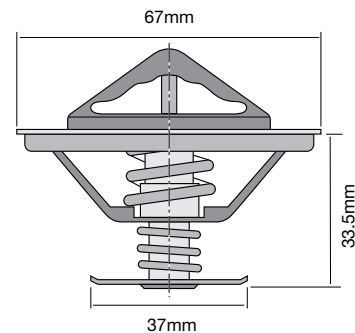
Special design thermostat with pressure relief hole, gasket included.



Temp. Part No.
 71°C TT245-160P
 82°C TT245-180P
 89°C TT245-192P

TT246 Series

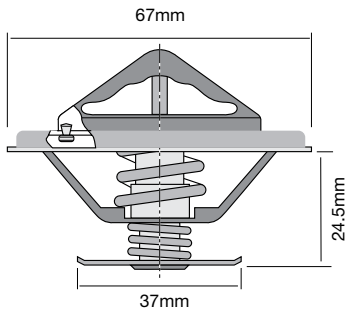
Bypass style thermostat.



Temp. Part No.
 82°C TT246-180

TT247 Series

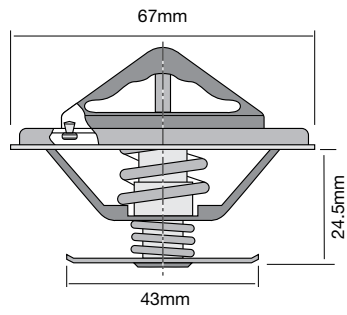
Bypass style thermostat with jiggle pin.



Temp.	Part No.	Temp.	Part No.
77°C	TT247-170	91°C	TT247-195
79°C	TT247-174		
82°C	TT247-180		
89°C	TT247-192		

TT248 Series

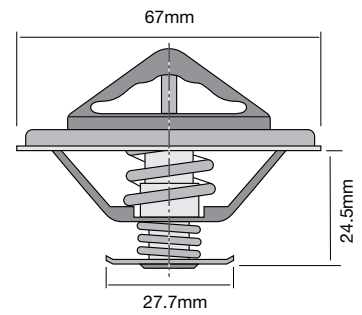
Bypass style thermostat with jiggle pin.



Temp.	Part No.	Temp.	Part No.
71°C	TT248-160	82°C	TT248-180
75°C	TT248-167	87°C	TT248-189
77°C	TT248-170	89°C	TT248-192
79°C	TT248-174	91°C	TT248-195

TT249 Series

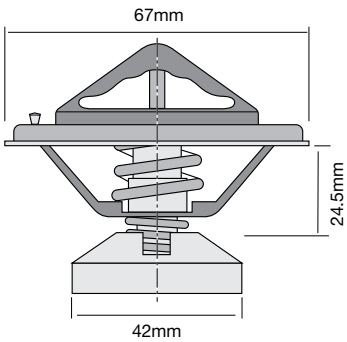
Bypass style thermostat.



Temp.	Part No.
77°C	TT249-170
79°C	TT249-174
82°C	TT249-180

TT251 Series

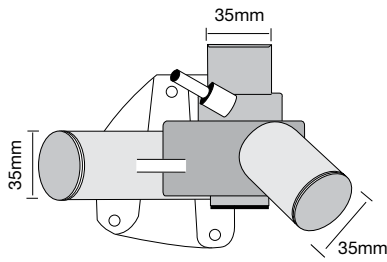
Bypass style thermostat with jiggle pin.



Temp.	Part No.
82°C	TT251-180
85°C	TT251-185

TT255 Series

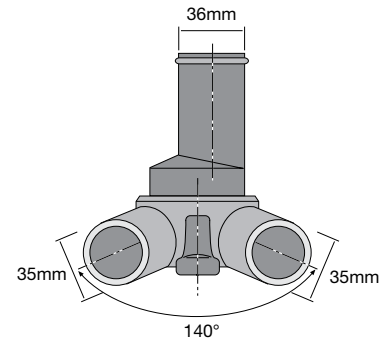
Special design bypass style thermostat integrated into housing, gasket included.



Temp.	Part No.
82°C	TT255-180P

TT256 Series

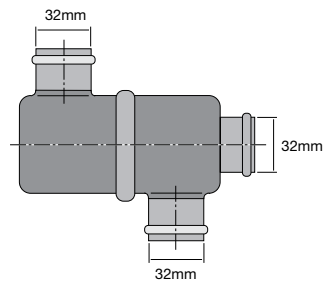
Special design thermostat integrated into housing.



Temp.	Part No.
82°C	TT256-180P

TT258 Series

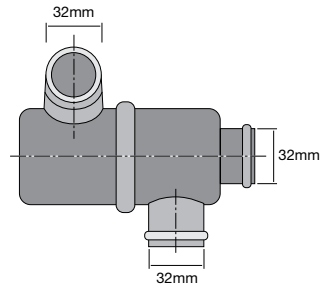
Special design bypass style thermostat integrated into housing.



Temp.	Part No.
82°C	TT258-180P

TT259 Series

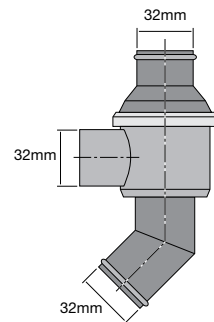
Special design bypass style thermostat integrated into housing.



Temp.	Part No.
83°C	TT259-181P
91°C	TT259-195P

TT260 Series

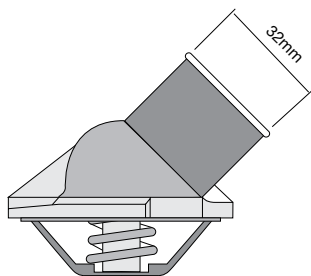
Special design thermostat integrated into housing.



Temp.	Part No.
82°C	TT260-180P

TT261 Series

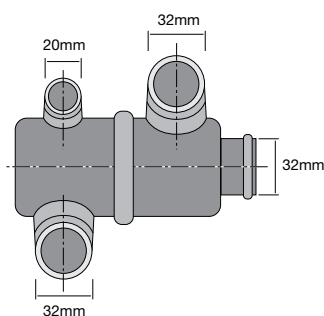
Conventional style thermostat integrated into housing, 3 bolt holes.



Temp. Part No.
88°C TT261-190P

TT262 Series

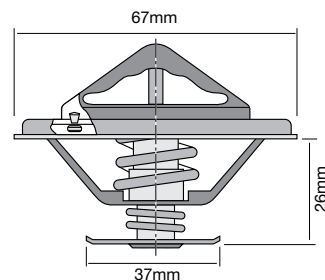
Special design bypass style thermostat integrated into housing.



Temp. Part No.
82°C TT262-180P

TT263 Series

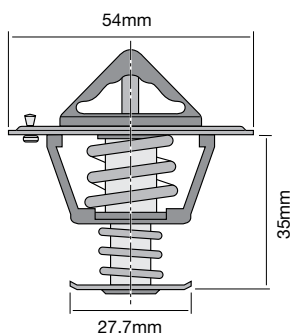
Bypass style thermostat with jiggle pin.



Temp. Part No.
79°C TT263-174

TT265 Series

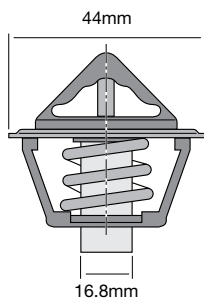
Bypass style thermostat with jiggle pin.



Temp. Part No.
82°C TT265-180
89°C TT265-192
91°C TT265-195

TT266 Series

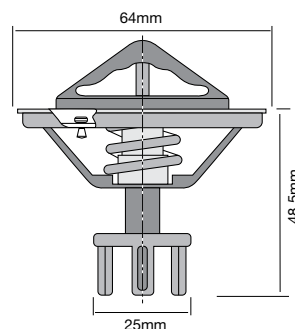
Bypass style thermostat.



Temp. Part No.
82°C TT266-180

TT268 Series

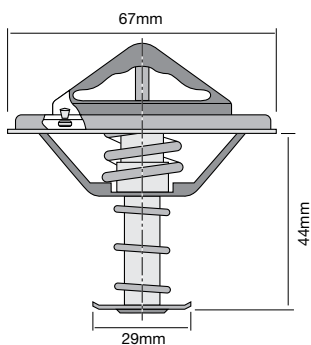
Bypass style thermostat with inverse jiggle pin.



Temp. Part No.
71°C TT268-160
77°C TT268-170
82°C TT268-180

TT269 Series

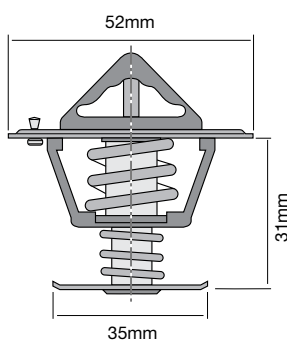
Bypass style thermostat with jiggle pin.



Temp. Part No.
80°C TT269-176
82°C TT269-180

TT270 Series

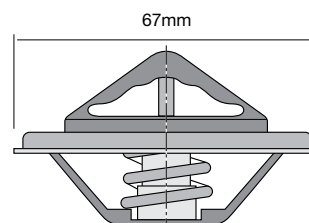
Bypass style thermostat with jiggle pin.



Temp. Part No.
89°C TT270-192

TT271 Series

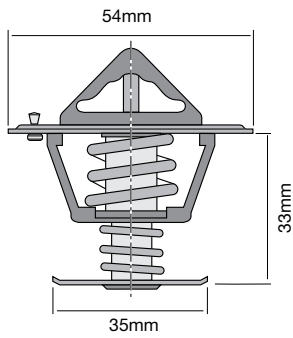
Conventional style thermostat.



Temp. Part No.
82°C TT271-180

TT272 Series

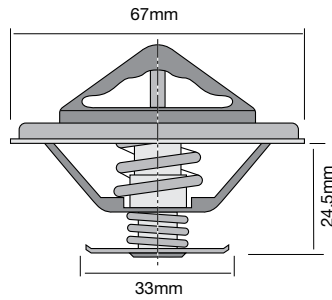
Bypass style thermostat with jiggle pin.



Temp. Part No.
 77°C TT272-170
 82°C TT272-180
 89°C TT272-192
 91°C TT272-195

TT273 Series

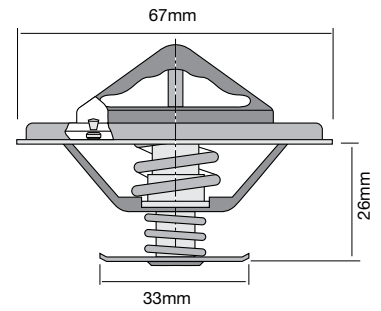
Bypass style thermostat.



Temp. Part No.
 77°C TT273-170
 82°C TT273-180
 89°C TT273-192

TT274 Series

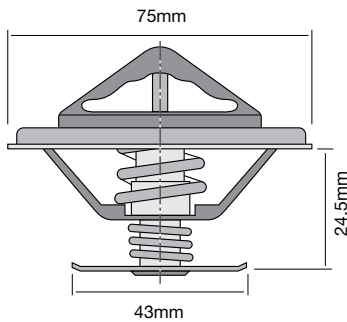
Bypass style thermostat with jiggle pin.



Temp. Part No.
 82°C TT274-180
 89°C TT274-192
 92°C TT274-198

TT275 Series

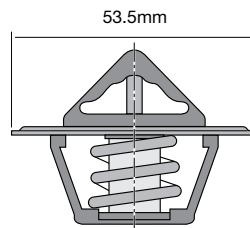
Bypass style thermostat.



Temp. Part No.
 71°C TT275-160
 79°C TT275-174
 85°C TT275-185

TT276 Series

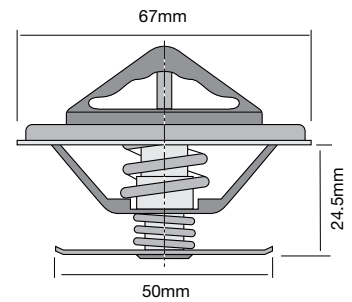
Conventional style thermostat.



Temp. Part No.
 82°C TT276-180
 89°C TT276-192

TT277 Series

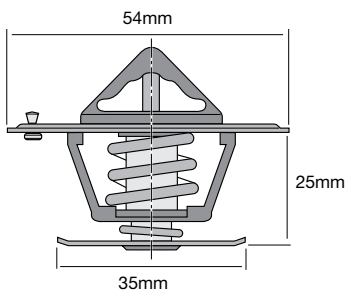
Bypass style thermostat.



Temp. Part No.
 82°C TT277-180
 89°C TT277-192

TT278 Series

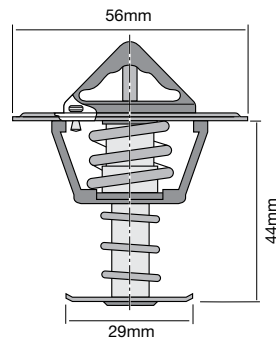
Bypass style thermostat with jiggle pin.



Temp. Part No.
 82°C TT278-180

TT281 Series

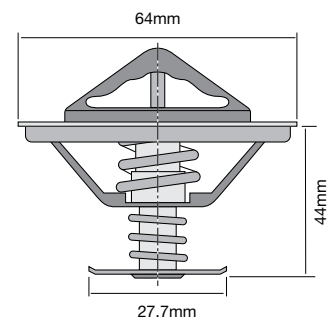
Bypass style thermostat with inverse jiggle pin.



Temp. Part No.
 77°C TT281-170
 82°C TT281-180

TT282 Series

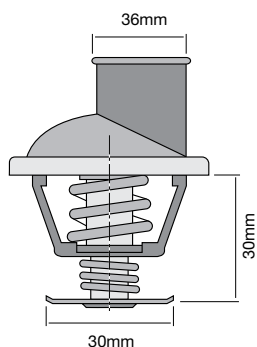
Bypass style thermostat.



Temp. Part No.
 77°C TT282-170

TT283 Series

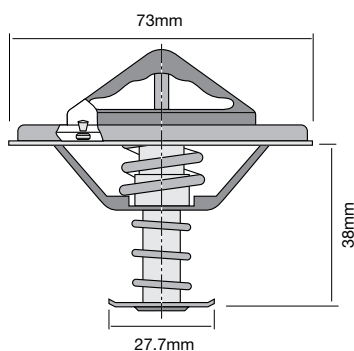
Bypass style thermostat integrated into housing, 3 bolt holes, gasket included.



Temp. Part No.
91°C TT283-195P

TT286 Series

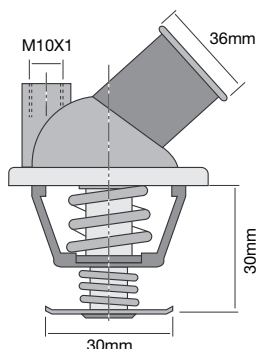
Bypass style thermostat with jiggle pin.



Temp. Part No.
77°C TT286-170P
82°C TT286-180P
89°C TT286-192P

TT287 Series

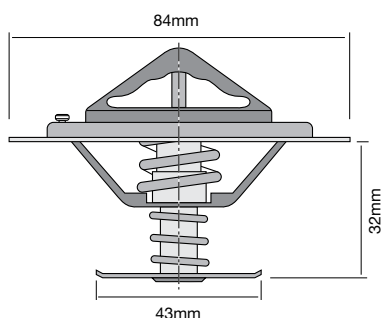
Bypass style thermostat integrated into housing, 3 bolt holes, gasket included.



Temp. Part No.
82°C TT287-180P
91°C TT287-195P

TT288 Series

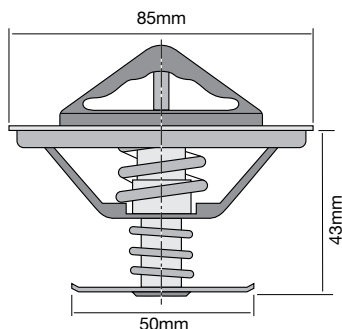
Bypass style thermostat with inverse jiggle pin.



Temp. Part No.
79°C TT288-174
85°C TT288-185
91°C TT288-195
95°C TT288-203

TT289 Series

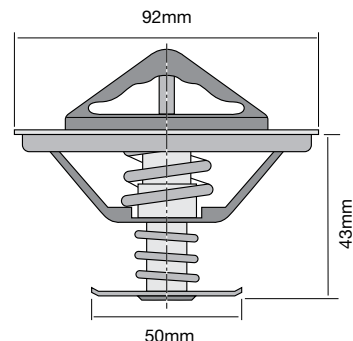
Bypass style thermostat.



Temp. Part No.
71°C TT289-160P
79°C TT289-174P
82°C TT289-180P

TT292 Series

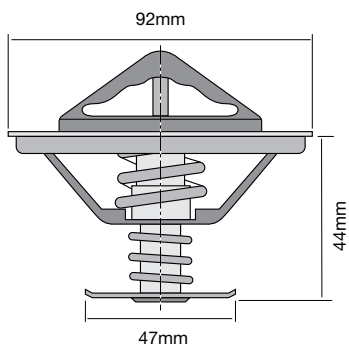
Bypass style thermostat.



Temp. Part No.
71°C TT292-160P
75°C TT292-167P
79°C TT292-174P

TT293 Series

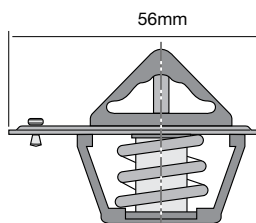
Bypass style thermostat.



Temp. Part No.
71°C TT293-160P
75°C TT293-167P
79°C TT293-174P

TT294 Series

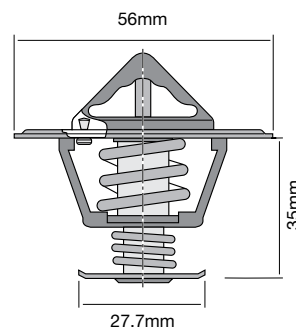
Offset conventional style thermostat with jiggle pin.



Temp. Part No.
77°C TT294-170
84°C TT294-183
88°C TT294-190

TT296 Series

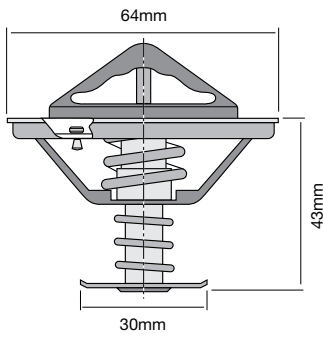
Bypass style thermostat with jiggle pin.



Temp. Part No.
82°C TT296-180

TT297 Series

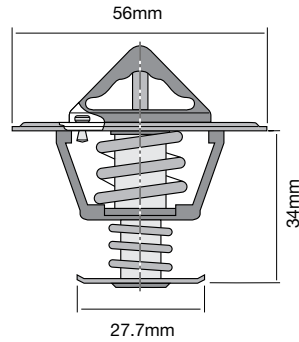
Bypass style thermostat with inverse jiggle pin.



Temp. Part No.
82°C TT297-180
89°C TT297-192

TT298 Series

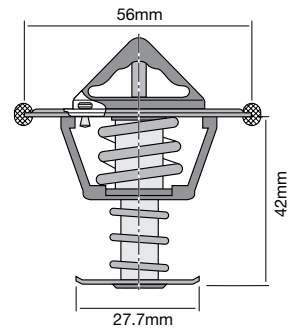
Bypass style thermostat with inverse jiggle pin.



Temp. Part No.
82°C TT298-180

TT299 Series

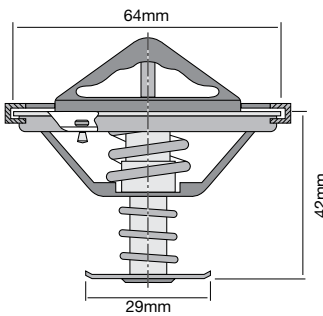
Bypass style thermostat with inverse jiggle pin, gasket included.



Temp. Part No.
71°C TT299-160
77°C TT299-170
82°C TT299-180
89°C TT299-192

TT301 Series

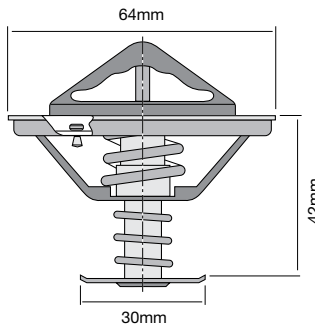
Bypass style thermostat with inverse jiggle pin, gasket included.



Temp. Part No.
77°C TT301-170
82°C TT301-180
85°C TT301-185
89°C TT301-192

TT302 Series

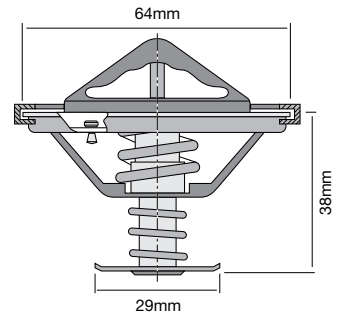
Bypass style thermostat with inverse jiggle pin.



Temp. Part No.
77°C TT302-170
82°C TT302-180

TT303 Series

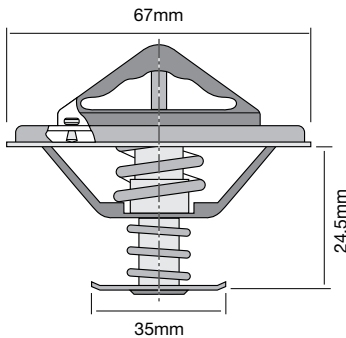
Bypass style thermostat with inverse jiggle pin, gasket included.



Temp. Part No.
82°C TT303-180

TT304 Series

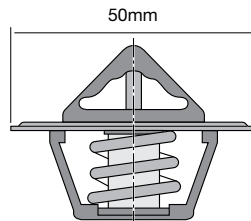
Bypass style thermostat with inverse jiggle pin.



Temp. Part No.
77°C TT304-170
82°C TT304-180
84°C TT304-183
89°C TT304-192

TT305 Series

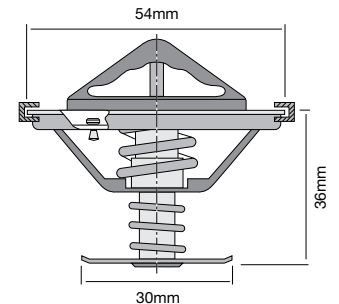
Conventional style thermostat.



Temp. Part No.
75°C TT305-167
89°C TT305-192

TT307 Series

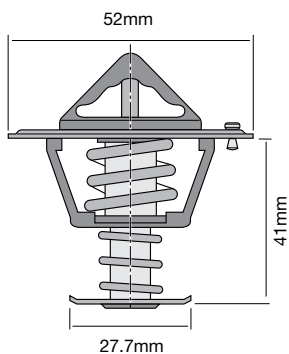
Bypass style thermostat with jiggle pin, gasket included.



Temp. Part No.
82°C TT307-180

TT319 Series

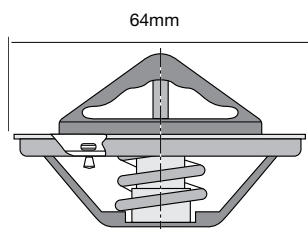
Bypass style thermostat with inverse jiggle pin.



Temp. Part No.
82°C TT319-180

TT320 Series

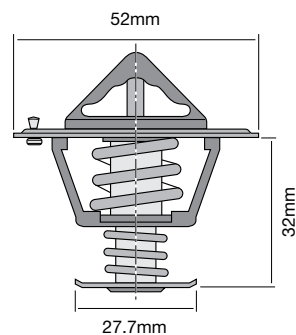
Conventional style thermostat with inverse jiggle pin.



Temp. Part No.
77°C TT320-170
82°C TT320-180

TT322 Series

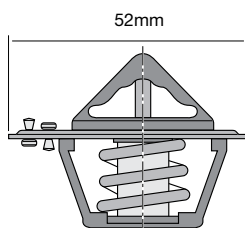
Bypass style thermostat with jiggle pin.



Temp. Part No.
82°C TT322-180
89°C TT322-192

TT323 Series

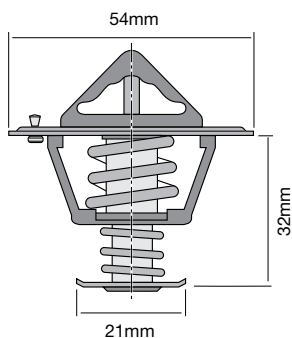
Offset conventional style thermostat with double jiggle pins.



Temp. Part No.
82°C TT323-180
89°C TT323-192

TT326 Series

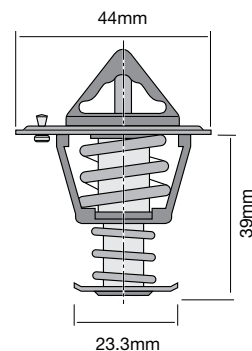
Bypass style thermostat with jiggle pin.



Temp. Part No.
82°C TT326-180

TT327 Series

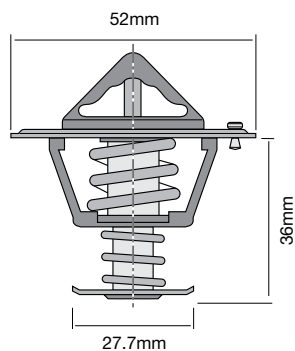
Offset bypass style thermostat with jiggle pin.



Temp. Part No.
82°C TT327-180

TT328 Series

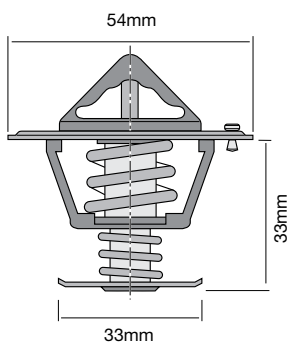
Bypass style thermostat with jiggle pin.



Temp. Part No.
77°C TT328-170
82°C TT328-180

TT329 Series

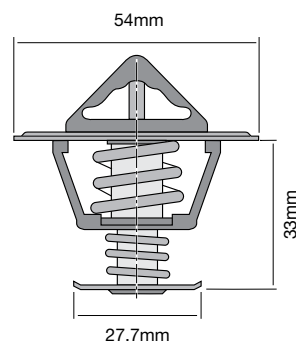
Bypass style thermostat with jiggle pin.



Temp. Part No.
77°C TT329-170
82°C TT329-180
89°C TT329-192

TT330 Series

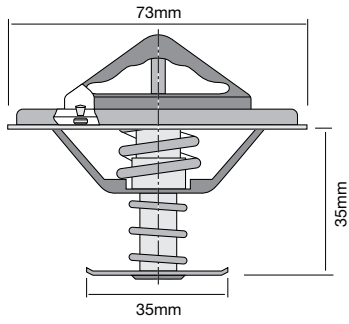
Bypass style thermostat.



Temp. Part No.
77°C TT330-170
82°C TT330-180

TT331 Series

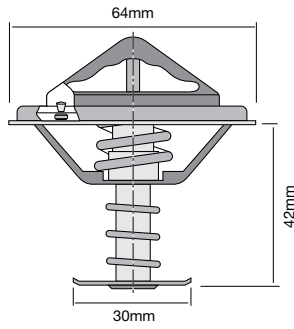
Bypass style thermostat with jiggle pin.



Temp. Part No.
77°C TT331-170
82°C TT331-180

TT332 Series

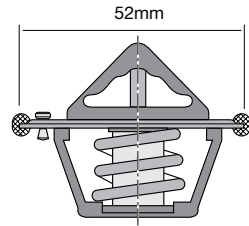
Bypass style thermostat with jiggle pin.



Temp. Part No.
82°C TT332-180
91°C TT332-195

TT333 Series

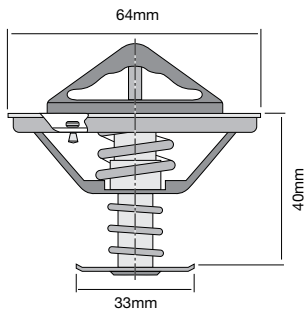
Conventional style thermostat with jiggle pin, gasket included.



Temp. Part No.
92°C TT333-198

TT334 Series

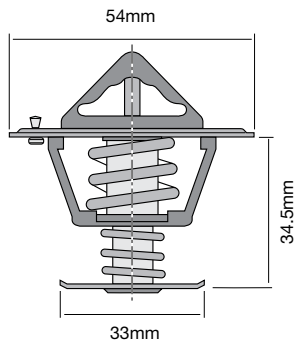
Bypass style thermostat with inverse jiggle pin.



Temp. Part No.
77°C TT334-170
82°C TT334-180

TT335 Series

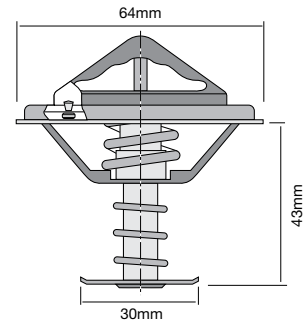
Bypass style thermostat with jiggle pin.



Temp. Part No.
82°C TT335-180
89°C TT335-192

TT336 Series

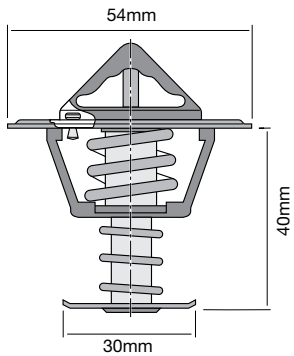
Bypass style thermostat with jiggle pin.



Temp. Part No.
82°C TT336-180

TT338 Series

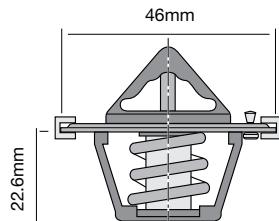
Bypass style thermostat with jiggle pin.



Temp. Part No.
91°C TT338-195

TT340 Series

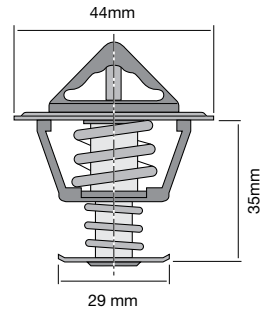
Offset conventional style thermostat with jiggle pin, gasket included.



Temp. Part No.
82°C TT340-180
91°C TT340-195

TT342 Series

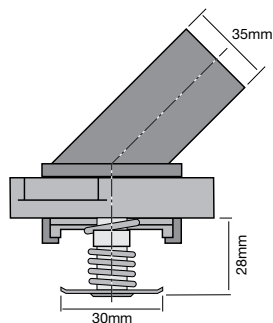
Bypass style thermostat.



Temp. Part No.
74°C TT342-165
77°C TT342-170
82°C TT342-180

TT343 Series

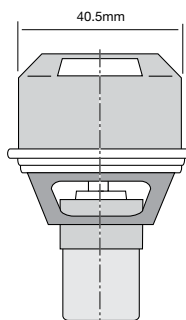
Bypass style thermostat integrated into housing with jiggle pin, 3 bolt holes, gasket included.



Temp. Part No.
82°C TT343-180P

TT345 Series

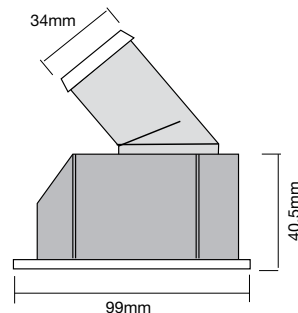
Special design thermostat.



Temp. Part No.
89°C TT345-192P

TT347 Series

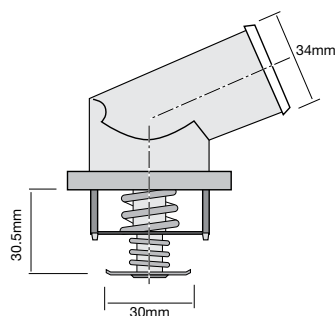
Special design thermostat integrated into housing, 3 bolt holes, gasket included.



Temp. Part No.
89°C TT347-192P
92°C TT347-198P

TT348 Series

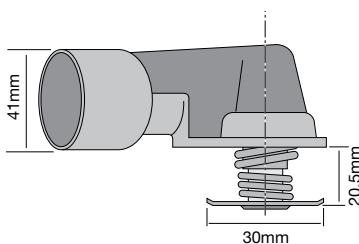
Bypass style thermostat integrated into housing with jiggle pin, 3 bolt holes, gasket included.



Temp. Part No.
92°C TT348-198P

TT349 Series

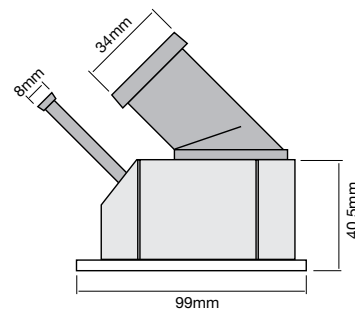
Bypass style thermostat integrated into housing, 2 bolt holes, gasket included.



Temp. Part No.
89°C TT349-192P
92°C TT349-198P

TT350 Series

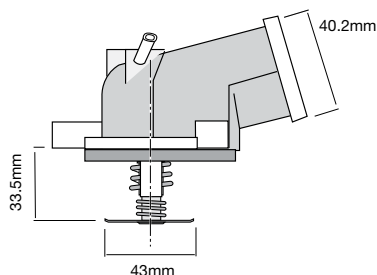
Special design thermostat integrated into housing, 2 bolt holes & water outlet, gasket included.



Temp. Part No.
82°C TT350-180P
89°C TT350-192P
92°C TT350-198P

TT351 Series

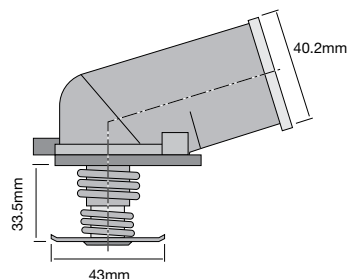
Bypass design thermostat integrated into housing & water outlet, 3 bolt holes, gasket included.



Temp. Part No.
87°C TT351-189P
89°C TT351-192P

TT352 Series

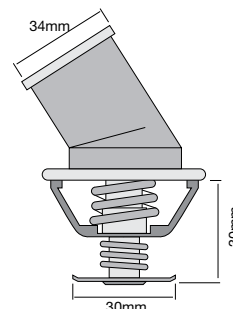
Bypass style thermostat integrated into housing, 3 bolt holes, gasket included.



Temp. Part No.
87°C TT352-189P
89°C TT352-192P

TT353 Series

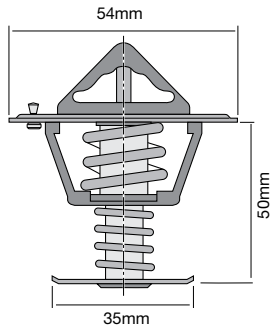
Bypass style thermostat integrated into housing, 3 bolt holes, gasket included.



Temp. Part No.
82°C TT353-180P
92°C TT353-198P

TT354 Series

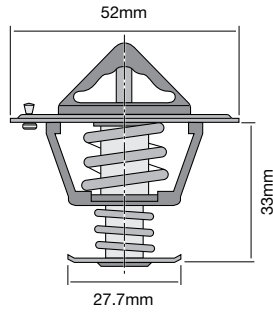
Bypass style thermostat with inverse jiggle pin.



Temp. Part No.
 82°C TT354-180P
 87°C TT354-189P
 89°C TT354-192P

TT363 Series

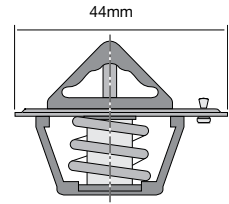
Bypass style thermostat with jiggle pin.



Temp. Part No.
 82°C TT363-180

TT367 Series

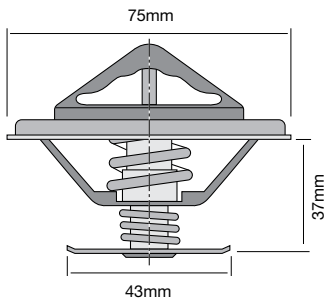
Offset conventional style thermostat with jiggle pin.



Temp. Part No.
 83°C TT367-182

TT368 Series

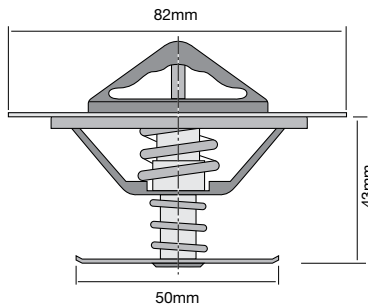
Bypass style thermostat with pressure relief hole.



Temp. Part No.
 82°C TT368-180

TT369 Series

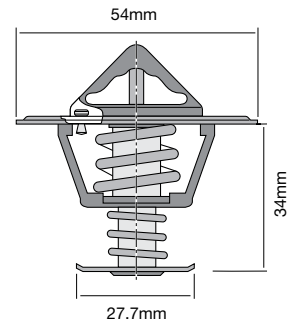
Bypass style thermostat with pressure relief hole.



Temp. Part No.
 77°C TT369-170P
 82°C TT369-180P

TT370 Series

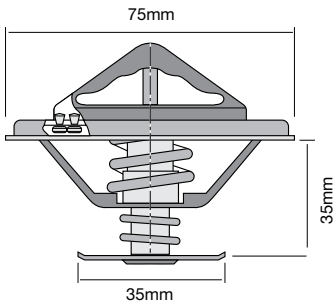
Bypass style thermostat with inverse jiggle pin.



Temp. Part No.
 77°C TT370-170

TT371 Series

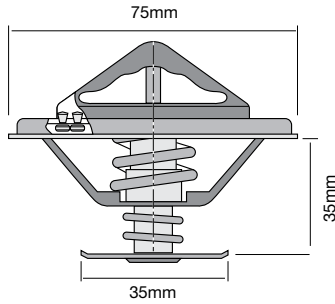
Bypass style thermostat with double jiggle pins.



Temp. Part No.
 82°C TT371-180

TT372 Series

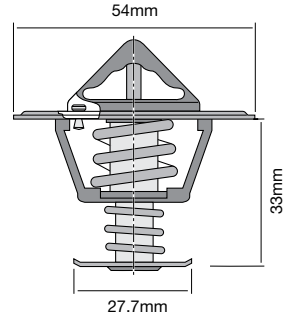
Bypass style thermostat with double jiggle pins.



Temp. Part No.
 82°C TT372-180

TT373 Series

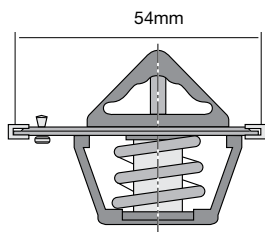
Bypass style thermostat with jiggle pin.



Temp. Part No.
 82°C TT373-180

TT374 Series

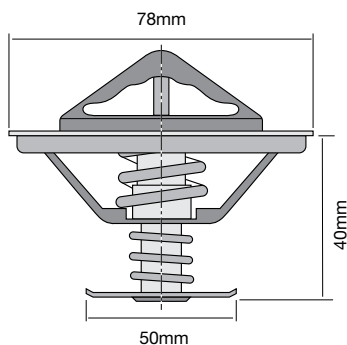
Offset conventional style thermostat with jiggle pin, gasket included.



Temp. Part No.
82°C TT374-180

TT375 Series

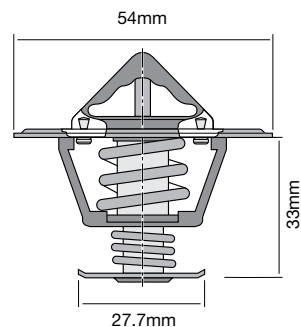
Bypass style thermostat.



Temp. Part No.
77°C TT375-170P

TT377 Series

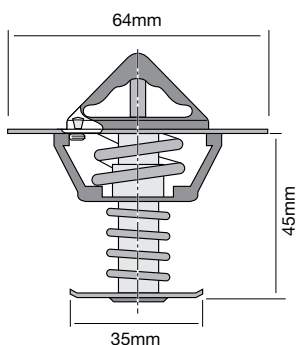
Bypass style thermostat with double jiggle pins.



Temp. Part No.
77°C TT377-170
82°C TT377-180

TT378 Series

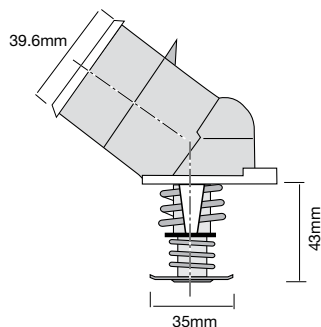
Bypass style thermostat with jiggle pin.



Temp. Part No.
77°C TT378-170

TT379 Series

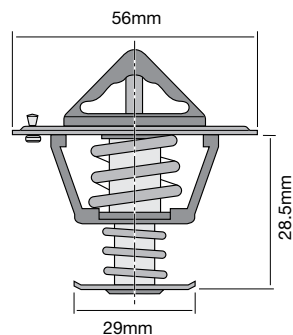
Bypass style thermostat integrated into housing, 3 bolt holes, gasket included.



Temp. Part No.
71°C TT379-160P
82°C TT379-180P
86°C TT379-187P

TT380 Series

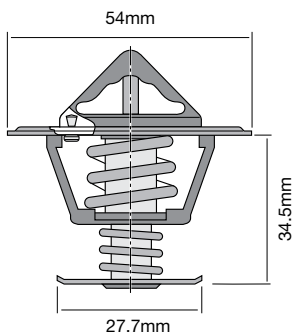
Bypass style thermostat with jiggle pin.



Temp. Part No.
82°C TT380-180

TT381 Series

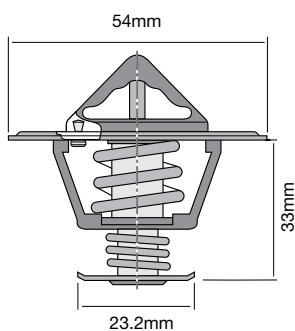
Bypass style thermostat with inverse jiggle pin.



Temp. Part No.
77°C TT381-170
82°C TT381-180

TT382 Series

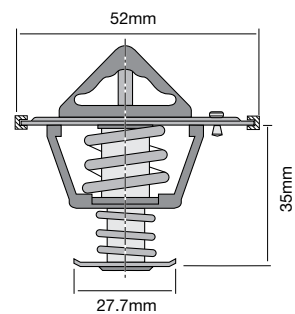
Bypass style thermostat with jiggle pin.



Temp. Part No.
85°C TT382-185

TT384 Series

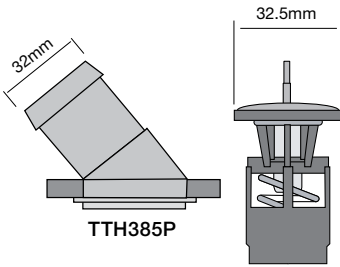
Offset bypass style thermostat with inverse jiggle pin, gasket included.



Temp. Part No.
85°C TT384-185

TT385 Series

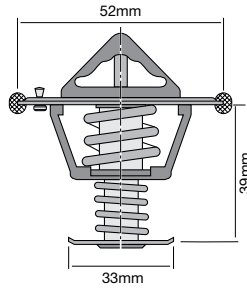
Special design thermostat insert.
Thermostat housing TTH385P sold separately 2 bolt holes, gasket included.



Temp. Part No.
85°C TT385-185P
88°C TT385-190P

TT388 Series

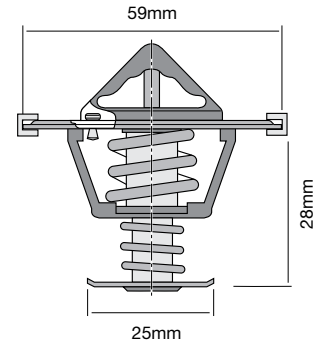
Bypass style thermostat with jiggle pin, gasket included.



Temp. Part No.
82°C TT388-180
88°C TT388-190

TT390 Series

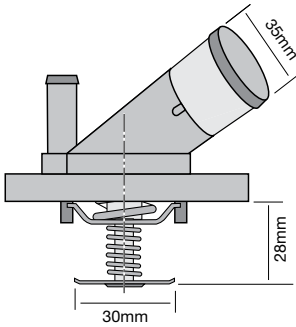
Bypass style thermostat with jiggle pin, gasket included.



Temp. Part No.
91°C TT390-195

TT391 Series

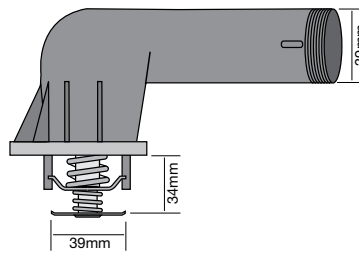
Bypass style thermostat integrated into housing, 3 bolt holes, gasket included.



Temp. Part No.
77°C TT391-170P
82°C TT391-180P

TT394 Series

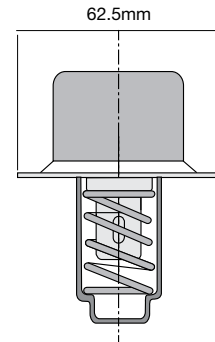
Bypass style thermostat integrated into housing with jiggle pin, 3 bolt holes, gasket included.



Temp. Part No.
95°C TT394-203P

TT405 Series

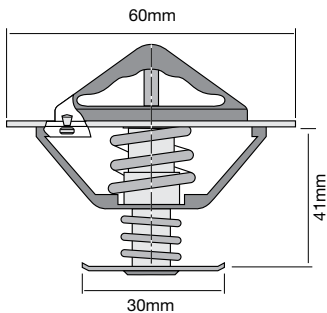
Special design thermostat.



Temp. Part No.
79°C TT405-174P

TT410 Series

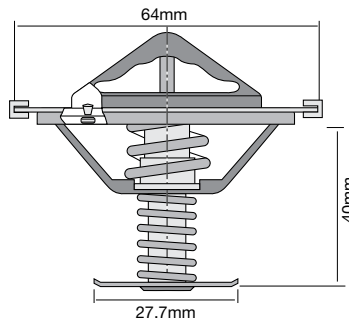
Bypass style thermostat with inverse jiggle pin.



Temp. Part No.
71°C TT410-160
77°C TT410-170
82°C TT410-180

TT411 Series

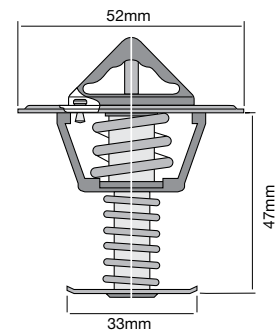
Bypass style thermostat with inverse jiggle pin, gasket included.



Temp. Part No.
85°C TT411-185

TT412 Series

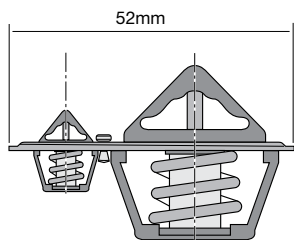
Bypass style thermostat with inverse jiggle pin.



Temp. Part No.
80°C TT412-176

TT414 Series

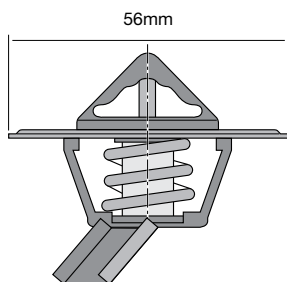
Special design conventional style thermostat with secondary thermostat & jiggle pin.



Temp. Part No.
88°C TT414-190

TT418 Series

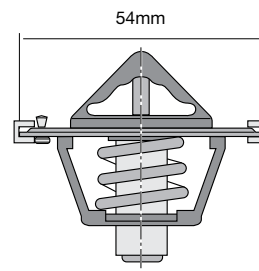
Special design conventional style thermostat with pressure relief hole.



Temp. Part No.
77°C TT418-170P

TT420 Series

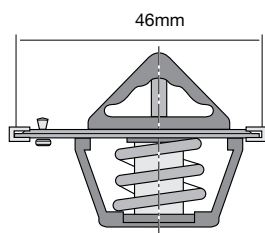
Bypass style thermostat with inverse jiggle pin, gasket included.



Temp. Part No.
91°C TT420-195

TT425 Series

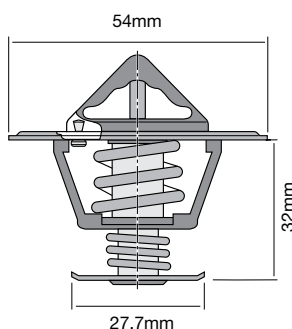
Offset conventional style thermostat with jiggle pin, gasket included.



Temp. Part No.
91°C TT425-195

TT427 Series

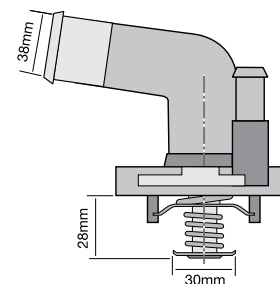
Bypass style thermostat with inverse jiggle pin, gasket included.



Temp. Part No.
82°C TT427-180

TT431 Series

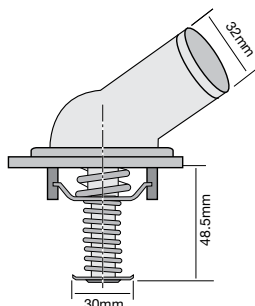
Bypass style thermostat integrated into housing with jiggle pin, 3 bolt holes, gasket included.



Temp. Part No.
82°C TT431-180P

TT432 Series

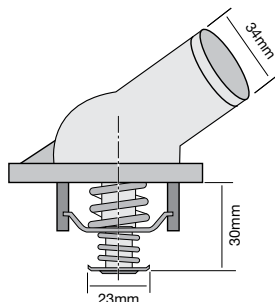
Bypass style thermostat integrated into housing with inverse jiggle pin, 3 bolt holes, gasket included.



Temp. Part No.
89°C TT432-192P

TT436 Series

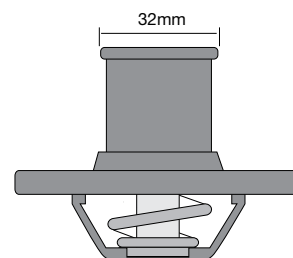
Bypass style thermostat integrated into housing, 3 bolt holes, gasket included.



Temp. Part No.
92°C TT436-198P

TT438 Series

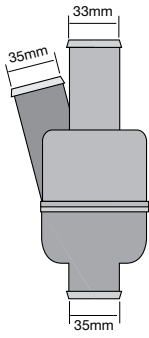
Conventional style thermostat integrated into housing, 2 bolt holes, gasket included.



Temp. Part No.
89°C TT438-192P

TT439 Series

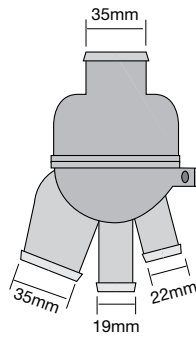
Special design bypass style thermostat integrated into housing.



Temp. Part No.
82°C TT439-180P

TT440 Series

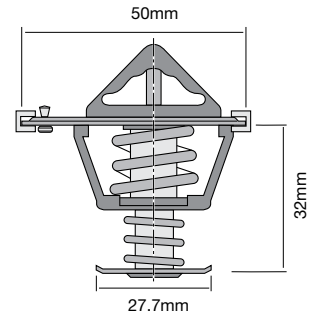
Special design bypass style thermostat integrated into housing.



Temp. Part No.
82°C TT440-180P

TT441 Series

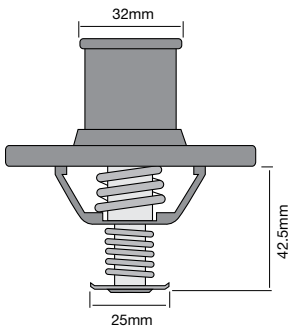
Offset bypass style thermostat with inverse jiggle pin, gasket included.



Temp. Part No.
77°C TT441-170

TT443 Series

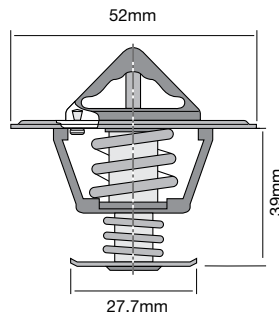
Bypass style thermostat integrated into housing, 2 bolt holes, gasket included.



Temp. Part No.
89°C TT443-192P

TT444 Series

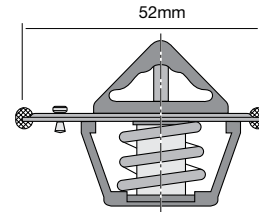
Bypass style thermostat with inverse jiggle pin, gasket included.



Temp. Part No.
82°C TT444-180

TT445 Series

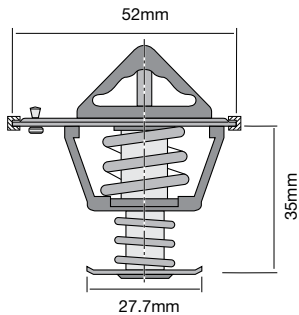
Offset conventional style thermostat with jiggle pin, gasket included.



Temp. Part No.
82°C TT445-180
89°C TT445-192

TT446 Series

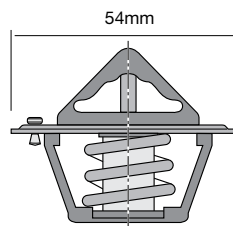
Offset bypass style thermostat with inverse jiggle pin, gasket included.



Temp. Part No.
89°C TT446-192

TT449 Series

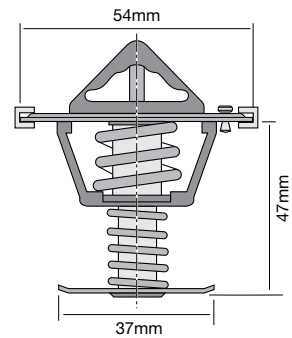
Conventional style thermostat with inverse jiggle pin.



Temp. Part No.
88°C TT449-190

TT456 Series

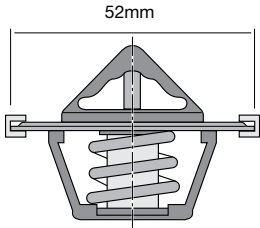
Bypass style thermostat with inverse jiggle pin, gasket included.



Temp. Part No.
71°C TT456-160
82°C TT456-180
86°C TT456-187

TT457 Series

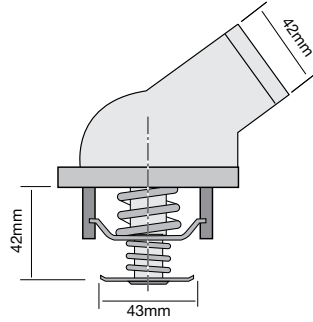
Conventional style thermostat with pressure relief hole, gasket included.



Temp. Part No.
96°C TT457-205

TT458 Series

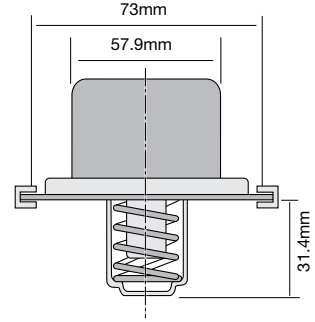
Bypass style thermostat integrated into housing, 2 bolt holes, gasket included.



Temp. Part No.
87°C TT458-189P
89°C TT458-192P

TT459 Series

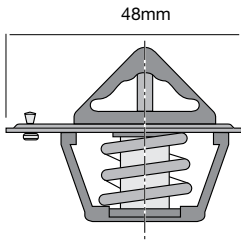
Special design, gasket included.



Temp. Part No.
79°C TT459-174P

TT465 Series

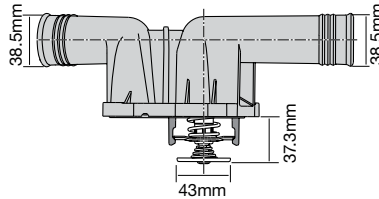
Offset conventional style thermostat with jiggle pin.



Temp. Part No.
91°C TT465-195

TT467 Series

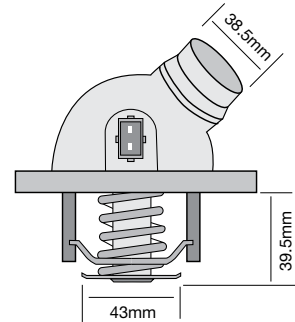
Bypass style thermostat integrated into housing, 4 bolt holes. Coolant sensor & gasket included.



Temp. Part No.
97°C TT467-206P
103°C TT467-217P

TT468 Series

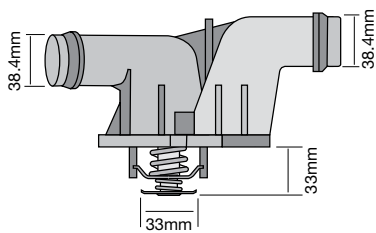
Bypass style thermostat integrated into housing, 4 bolt holes. Coolant sensor & gasket included.



Temp. Part No.
105°C TT468-221P

TT471 Series

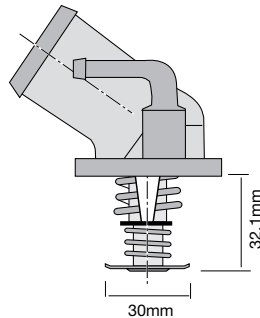
Bypass style thermostat integrated into housing, 4 bolt holes, with jiggle pin, gasket included.



Temp. Part No.
89°C TT471-192P

TT478 Series

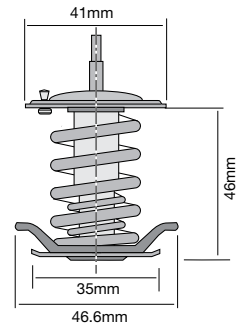
Bypass style thermostat integrated into housing with jiggle pin, 3 bolt holes, gasket included.



Temp. Part No.
92°C TT478-198

TT479 Series

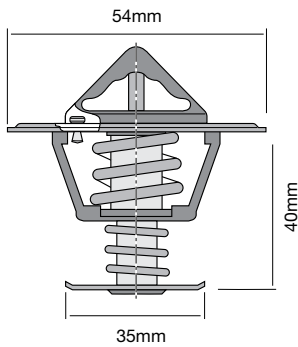
Special design bypass style thermostat insert with jiggle pin.



Temp. Part No.
82°C TT479-180P

TT480 Series

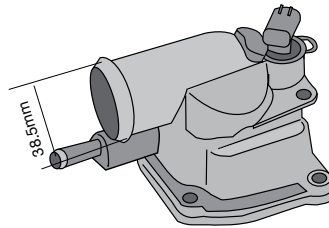
Bypass style thermostat with inverse jiggle pin.



Temp. Part No.
82°C TT480-180

TT498 Series

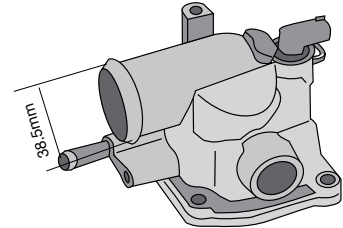
Special design thermostat with jiggle pin integrated into housing, 4 bolt holes. Coolant sensor & gasket included.



Temp. Part No.
87°C TT498-189

TT503 Series

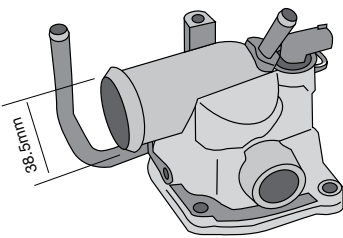
Bypass style thermostat integrated into housing, 4 bolt holes. Coolant sensor & gasket included.



Temp. Part No.
87°C TT503-189
89°C TT503-192P
92°C TT503-198

TT504 Series

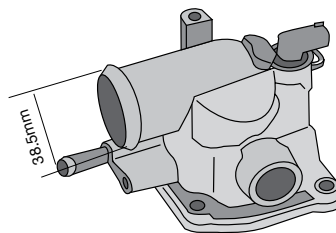
Special design thermostat with jiggle pin integrated into housing, 4 bolt holes. Coolant sensor & gasket included.



Temp. Part No.
87°C TT504-189

TT505 Series

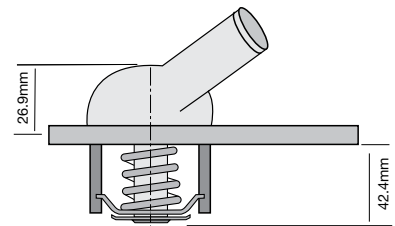
Bypass style thermostat integrated into housing, 4 bolt holes. Coolant sensor & gasket included.



Temp. Part No.
87°C TT505-189
92°C TT505-198

TT506 Series

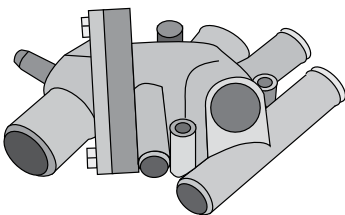
Special design thermostat integrated into housing, 2 bolt holes, gasket included.



Temp. Part No.
88°C TT506-190

TT507 Series

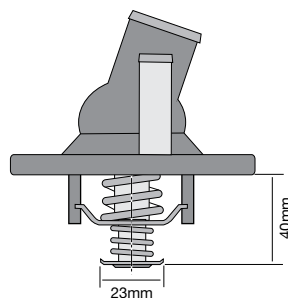
Special design thermostat with inverse jiggle pin integrated into housing, gasket included.



Temp. Part No.
89°C TT507-192

TT512 Series

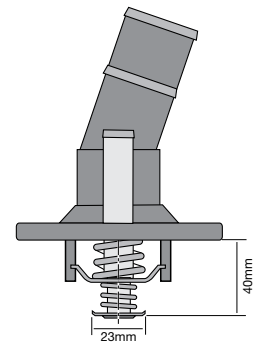
Bypass style thermostat with inverse jiggle pin integrated into housing, 3 bolt holes, gasket included.



Temp. Part No.
82°C TT512-180P

TT514 Series

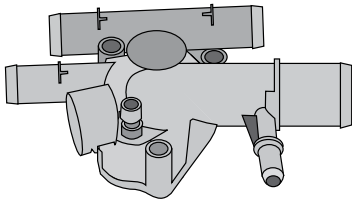
Bypass style thermostat with inverse jiggle pin integrated into housing, 3 bolt holes, gasket included.



Temp. Part No.
82°C TT514-180P
89°C TT514-192P

TT515 Series

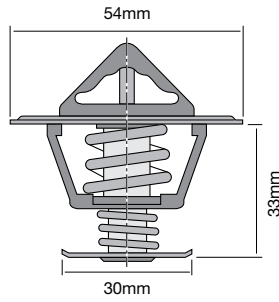
Special design thermostat integrated into housing with jiggle pin, gasket included.



Temp. Part No.
89°C TT515-192

TT518 Series

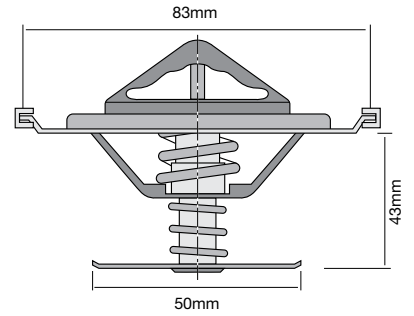
Bypass style thermostat.



Temp. Part No.
77°C TT518-170

TT519 Series

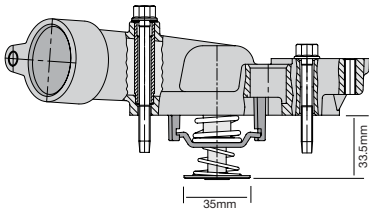
Bypass style thermostat, gasket included.



Temp. Part No.
82°C TT519-180P

TT522 Series

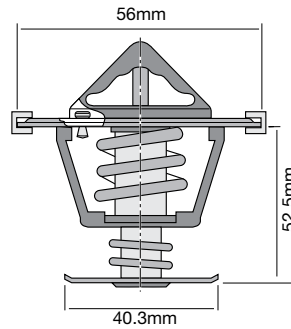
Bypass style thermostat integrated into housing with inverse jiggle pin, 3 bolt holes, gasket included.



Temp. Part No.
82°C TT522-180P

TT523 Series

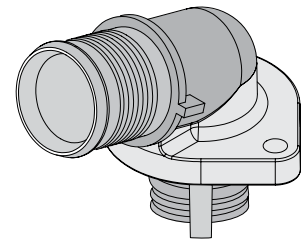
Bypass style thermostat with inverse jiggle pin, gasket included.



Temp. Part No.
71°C TT523-160
77°C TT523-170
86°C TT523-187

TT525 Series

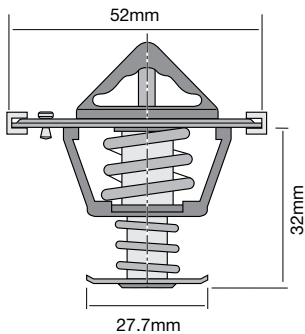
Conventional style thermostat integrated into housing, 2 bolt holes, gasket included.



Temp. Part No.
89°C TT525-192

TT528 Series

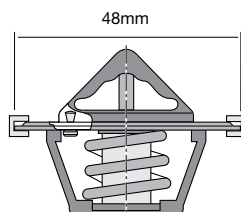
Bypass style thermostat with inverse jiggle pin, gasket included.



Temp. Part No.
82°C TT528-180

TT531 Series

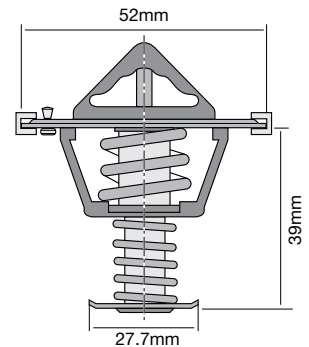
Conventional style thermostat with inverse jiggle pin, gasket included.



Temp. Part No.
82°C TT531-180

TT532 Series

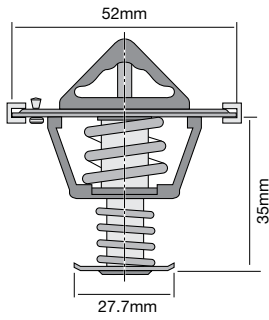
Bypass style thermostat with inverse jiggle pin, gasket included.



Temp. Part No.
82°C TT532-180

TT533 Series

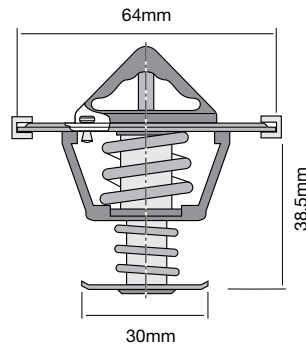
Bypass style thermostat with inverse jiggle pin, gasket included.



Temp. Part No.
79°C TT533-174

TT534 Series

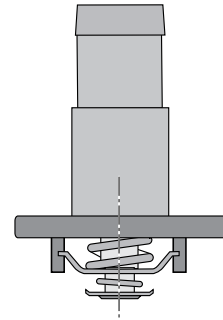
Bypass style thermostat with inverse jiggle pin, gasket included.



Temp. Part No.
82°C TT534-180

TT538 Series

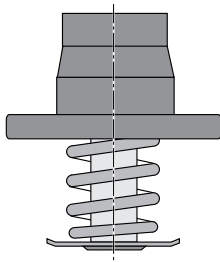
Bypass style thermostat integrated into housing, gasket included.



Temp. Part No.
86°C TT538-187

TT544 Series

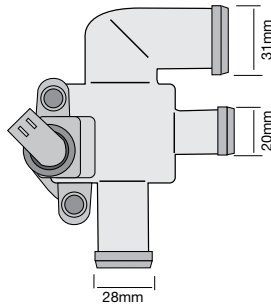
Special design thermostat integrated into housing, gasket included.



Temp. Part No.
87°C TT544-189

TT547 Series

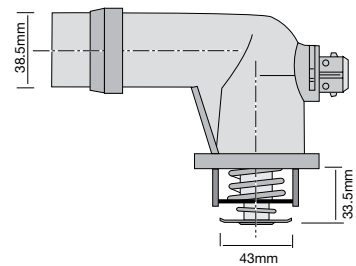
Special design thermostat integrated into housing. Coolant sensor & gasket included.



Temp. Part No.
91°C TT547-195

TT550 Series

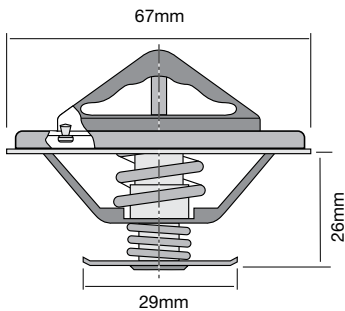
Bypass style thermostat integrated into housing with jiggle pin, 3 bolt holes. Coolant sensor & gasket included.



Temp. Part No.
105°C TT550-221P

TT551 Series

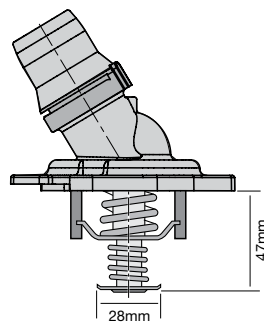
Bypass style thermostat with jiggle pin.



Temp. Part No.
78°C TT551-172

TT554 Series

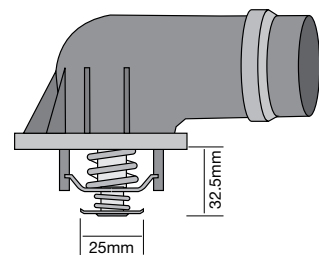
Bypass style thermostat integrated into housing with jiggle pin, 3 bolt holes, gasket included.



Temp. Part No.
77°C TT554-170

TT557 Series

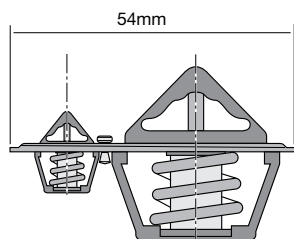
Bypass style thermostat integrated into housing with jiggle pin, 3 bolt holes, gasket included.



Temp. Part No.
95°C TT557-203

TT561 Series

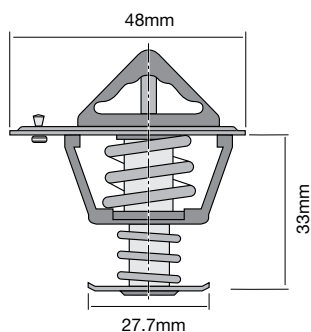
Special design conventional style thermostat with secondary thermostat & jiggle pin.



Temp. Part No.
88°C TT561-190

TT564 Series

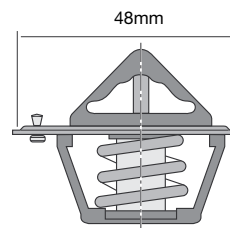
Offset bypass style thermostat with inverse jiggle pin.



Temp. Part No.
82°C TT564-180

TT565 Series

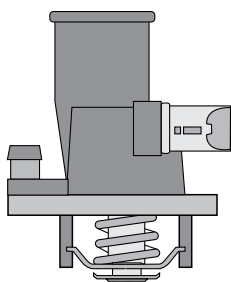
Offset conventional style thermostat with inverse jiggle pin.



Temp. Part No.
82°C TT565-180

TT566 Series

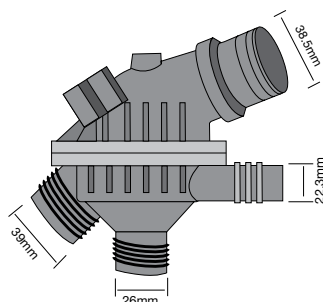
Special design thermostat integrated into housing, 3 bolt holes. Coolant sensor & gasket included.



Temp. Part No.
84°C TT566-183

TT568 Series

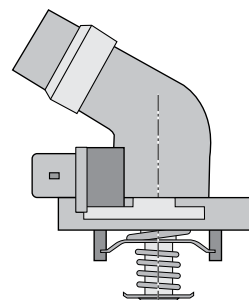
Special design thermostat integrated into housing, gasket included.



Temp. Part No.
103°C TT568-217

TT569 Series

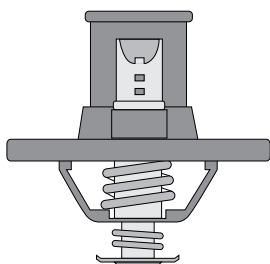
Bypass style thermostat integrated into housing. Coolant sensor & gasket included.



Temp. Part No.
109°C TT569-228

TT570 Series

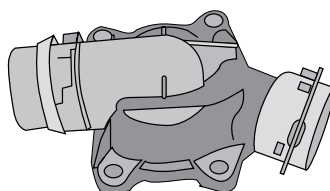
Bypass style thermostat integrated into housing, 2 bolt holes. Coolant sensor & gasket included.



Temp. Part No.
105°C TT570-221

TT571 Series

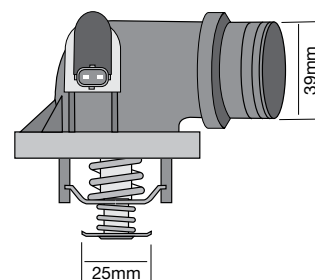
Special design thermostat integrated into housing, 4 bolt holes, gasket included.



Temp. Part No.
88°C TT571-190

TT572 Series

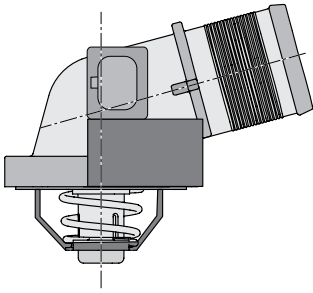
Bypass style thermostat integrated into housing, 3 bolt holes. Coolant sensor & gasket included.



Temp. Part No.
105°C TT572-221

TT573 Series

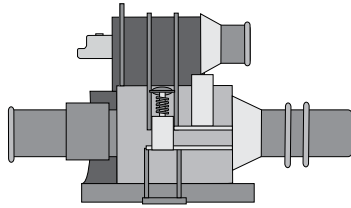
Special design thermostat integrated into housing, 2 bolt holes. Coolant sensor & gasket included.



Temp. Part No.
103°C TT573-217

TT574 Series

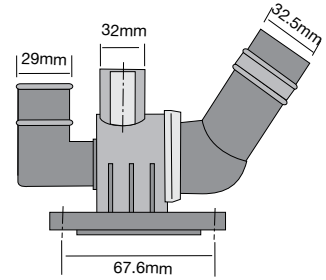
Special design thermostat integrated into housing, 4 bolt holes. Coolant sensor & gasket included.



Temp. Part No.
83°C TT574-181

TT576 Series

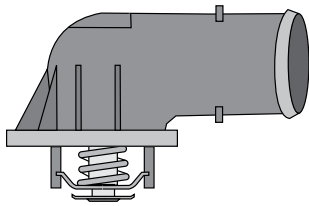
Special design thermostat integrated into housing, 2 bolt holes, gasket included.



Temp. Part No.
87°C TT576-189

TT578 Series

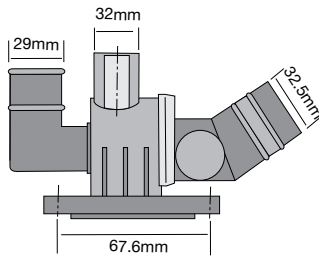
Special design thermostat integrated into housing, 3 bolt holes, gasket included.



Temp. Part No.
87°C TT578-189

TT580 Series

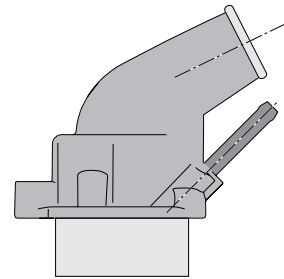
Special design thermostat integrated into housing, 2 bolt holes, gasket included.



Temp. Part No.
87°C TT580-189

TT582 Series

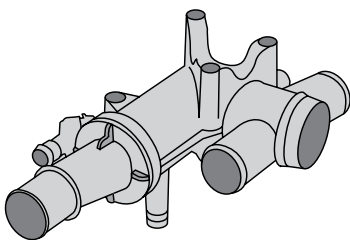
Special design thermostat integrated into housing, 2 bolt holes, gasket included.



Temp. Part No.
87°C TT582-189P

TT584 Series

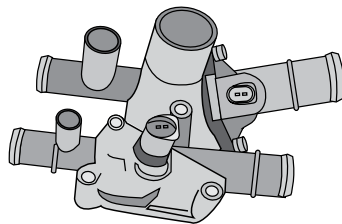
Special design thermostat integrated into housing, 4 bolt holes, gasket included.



Temp. Part No.
84°C TT584-183

TT596 Series

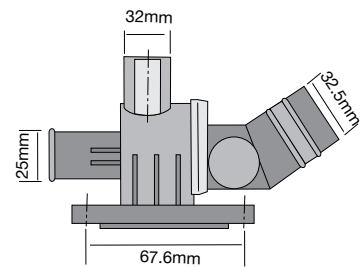
Special design thermostat integrated into housing, 3 bolt holes. Coolant sensor & gasket included.



Temp. Part No.
105°C TT596-221

TT597 Series

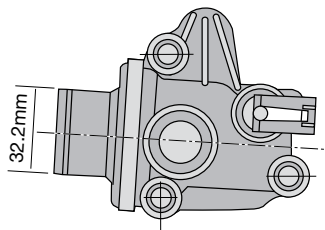
Special design thermostat integrated into housing, 2 bolt holes, gasket included.



Temp. Part No.
87°C TT597-189

TT599 Series

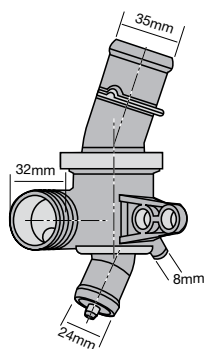
Special design thermostat integrated into housing, 3 bolt holes. Coolant sensor & gasket included.



Temp. Part No.
87°C TT599-189

TT600 Series

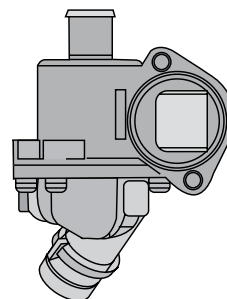
Special design thermostat integrated into housing, gasket included.



Temp. Part No.
80°C TT600-176

TT601 Series

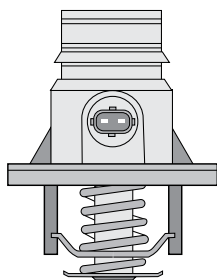
Special design thermostat integrated into housing, 2 bolt holes, gasket included.



Temp. Part No.
100°C TT601-212

TT606 Series

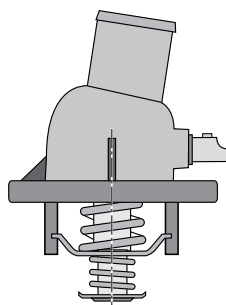
Bypass style thermostat integrated into housing, 3 bolt holes. Coolant sensor & gasket included.



Temp. Part No.
105°C TT606-221

TT611 Series

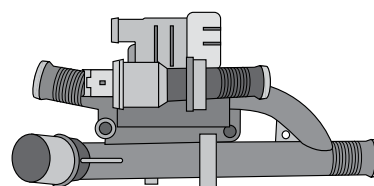
Bypass style thermostat integrated into housing, 4 bolt holes. Coolant sensor & gasket included.



Temp. Part No.
105°C TT611-221

TT616 Series

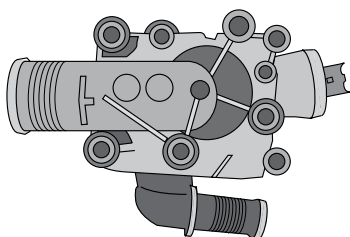
Special design thermostat integrated into housing. Coolant sensor & gasket included.



Temp. Part No.
83°C TT616-181

TT618 Series

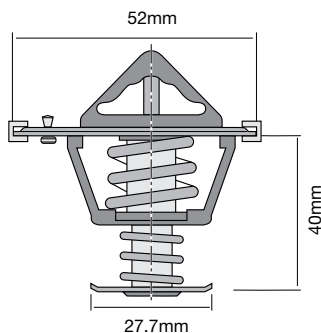
Special design thermostat integrated into housing, 4 bolt holes. Coolant sensor & gasket included.



Temp. Part No.
91°C TT618-195

TT620 Series

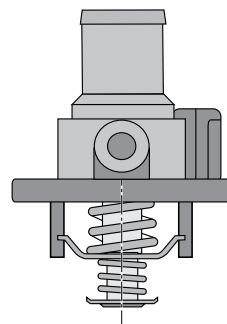
Offset bypass style thermostat with jiggle pin, gasket included.



Temp. Part No.
82°C TT620-180

TT622 Series

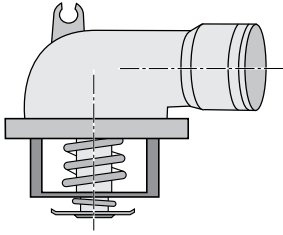
Bypass style thermostat integrated into housing, gasket included.



Temp. Part No.
83°C TT622-181

TT623 Series

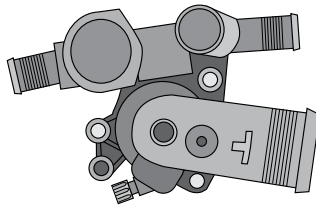
Bypass style thermostat integrated into housing, gasket included.



Temp. Part No.
87°C TT623-189

TT624 Series

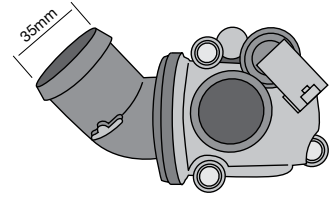
Special design thermostat integrated into housing, 3 bolt holes, gasket included.



Temp. Part No.
89°C TT624-192

TT626 Series

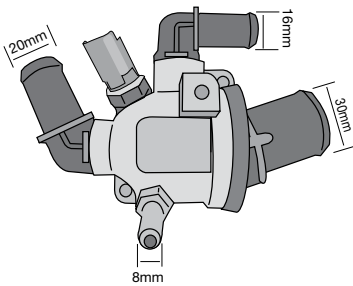
Special design thermostat integrated into housing, 3 bolt holes. Coolant sensor & gasket included.



Temp. Part No.
87°C TT626-189

TT627 Series

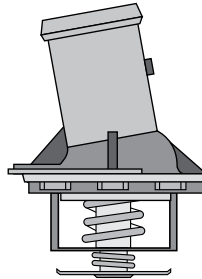
Special design thermostat integrated into housing, 2 bolt holes. Coolant sensor & gasket included.



Temp. Part No.
88°C TT627-190

TT628 Series

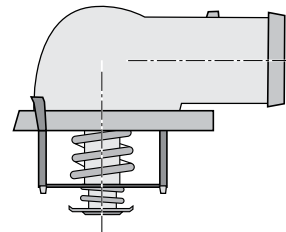
Bypass style thermostat integrated into housing, 2 bolt holes, gasket included.



Temp. Part No.
87°C TT628-189

TT629 Series

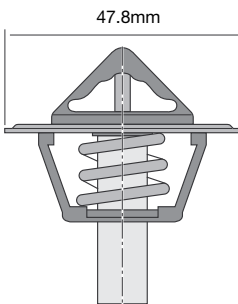
Bypass style thermostat integrated into housing, 2 bolt holes, gasket included.



Temp. Part No.
87°C TT629-189

TT630 Series

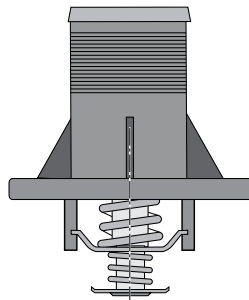
Conventional style thermostat.



Temp. Part No.
91°C TT630-195

TT631 Series

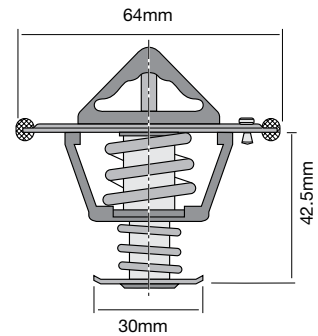
Bypass style thermostat integrated into housing, gasket included.



Temp. Part No.
82°C TT631-180

TT635 Series

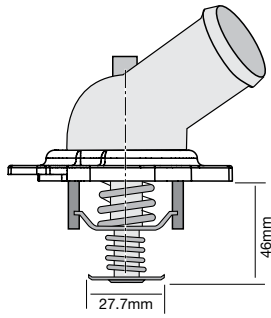
Bypass style thermostat with inverse jiggle pin, gasket included.



Temp. Part No.
82°C TT635-180

TT636 Series

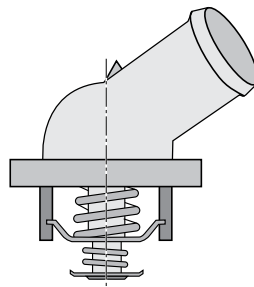
Bypass style thermostat with inverse jiggle pin integrated into housing, 3 bolt holes, gasket included.



Temp. Part No.
78°C TT636-172

TT637 Series

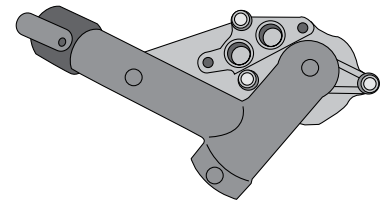
Bypass style thermostat integrated into housing, gasket included.



Temp. Part No.
82°C TT637-180

TT639 Series

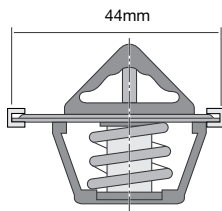
Bypass style thermostat with jiggle pin integrated into housing, 4 bolt holes, gasket included.



Temp. Part No.
82°C TT639-180P

TT657 Series

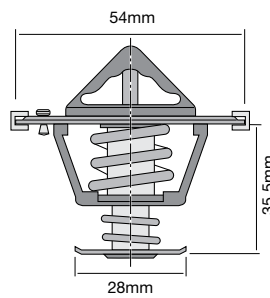
Offset conventional style thermostat with pressure relief hole, gasket included.



Temp. Part No.
95°C TT657-203

TT658 Series

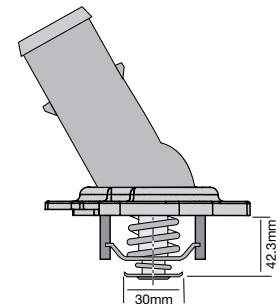
Bypass style thermostat with jiggle pin, gasket included.



Temp. Part No.
77°C TT658-170

TT659 Series

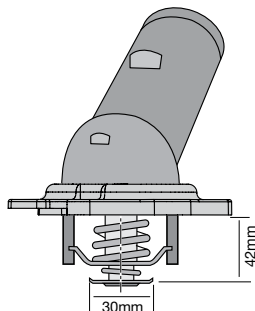
Bypass style thermostat integrated into housing with jiggle pin, 3 bolt holes, gasket included.



Temp. Part No.
82°C TT659-180

TT660 Series

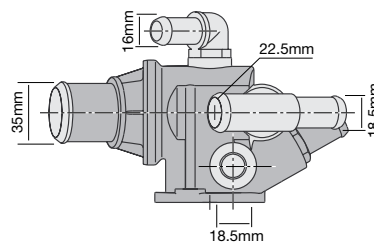
Bypass style thermostat integrated into housing with jiggle pin, 3 bolt holes, gasket included.



Temp. Part No.
82°C TT660-180

TT1120 Series

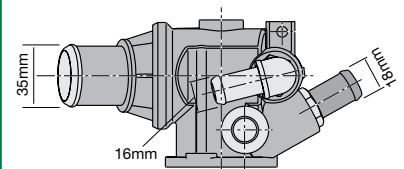
Bypass style thermostat integrated into housing, 2 bolt holes, gasket included.



Temp. Part No.
83°C TT1120-181P

TT1122 Series

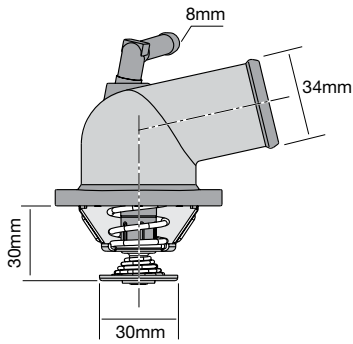
Bypass style thermostat integrated into housing, 2 bolt holes, gasket included.



Temp. Part No.
88°C TT1122-190P

TT1174 Series

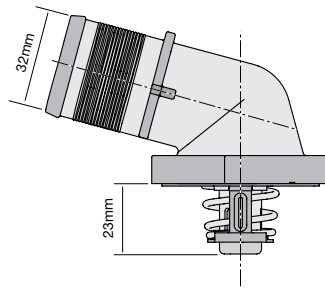
Bypass style thermostat integrated into housing, 3 bolt holes, gasket included.



Temp. Part No.
92°C TT1174-198P

TT1308 Series

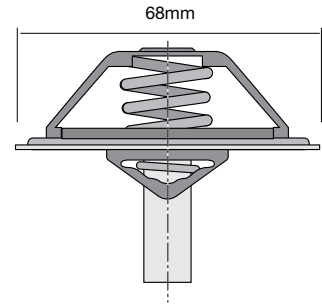
Bypass style thermostat integrated into housing, gasket included.



Temp. Part No.
86°C TT1308-186P

TT1309 Series

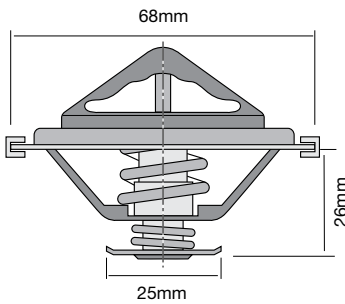
Special design, gasket included.



Temp. Part No.
80°C TT1309-176
85°C TT1309-185

TT1326 Series

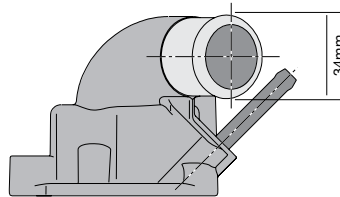
Bypass style thermostat, gasket included.



Temp. Part No.
84°C TT1326-183

TT1350 Series

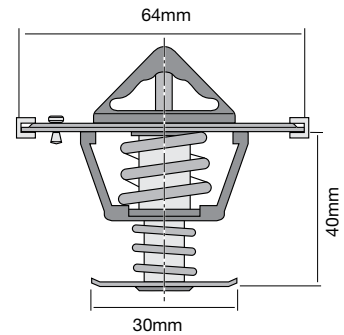
Bypass style thermostat integrated into housing, 2 bolt holes, gasket included.



Temp. Part No.
92°C TT1350-198P

TT1370 Series

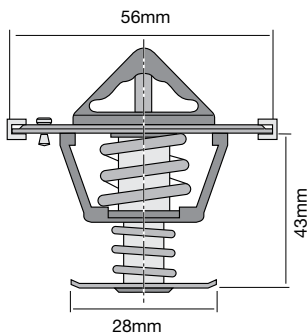
Bypass style thermostat with jiggle pin, gasket included.



Temp. Part No.
82°C TT1370-180

TT1404 Series

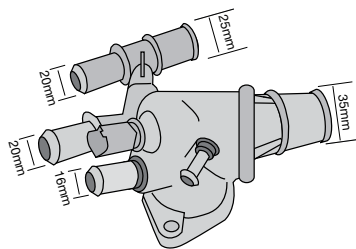
Bypass style thermostat with jiggle pin, gasket included.



Temp. Part No.
82°C TT1404-180

TT1405 Series

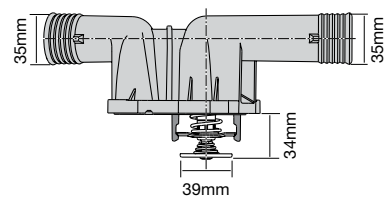
Special design thermostat integrated into housing, 2 bolt holes. Coolant sensor & gasket included.



Temp. Part No.
88°C TT1405-190

TT1427 Series

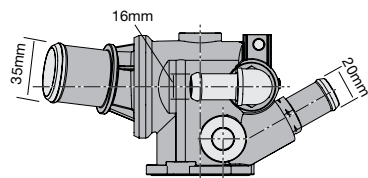
Bypass style thermostat integrated into housing, 4 bolt holes, gasket included.



Temp. Part No.
95°C TT1427-203P

TT1564 Series

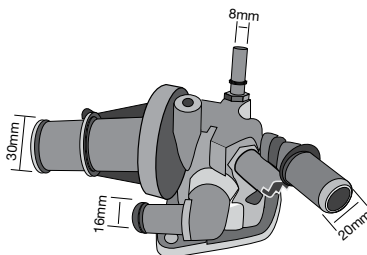
Bypass style thermostat integrated into housing, 2 bolt holes, gasket included.



Temp. Part No.
88°C TT1564-190P

TT1580 Series

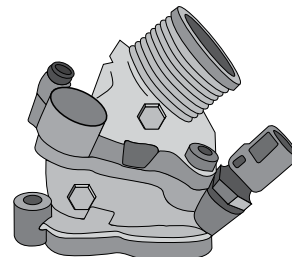
Special design thermostat integrated into housing, 2 bolt holes. Coolant sensor & gasket included.



Temp. Part No.
88°C TT1580-190

TT1606 Series

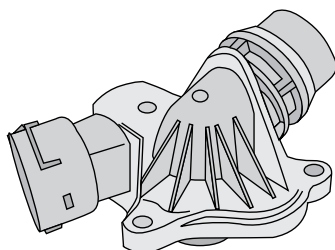
Special design thermostat integrated into housing. Coolant sensor & gasket included.



Temp. Part No.
90°C TT1606-194

TT1636 Series

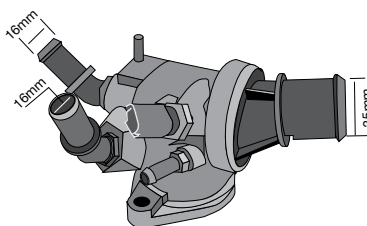
Special design thermostat integrated into housing, gasket included.



Temp. Part No.
88°C TT1636-190

TT1669 Series

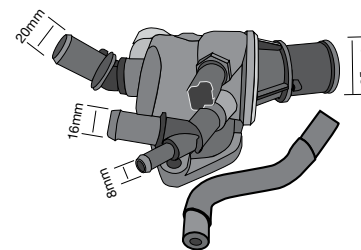
Special design thermostat integrated into housing, 2 bolt holes. Coolant sensor & gasket included.



Temp. Part No.
88°C TT1669-190

TT1670 Series

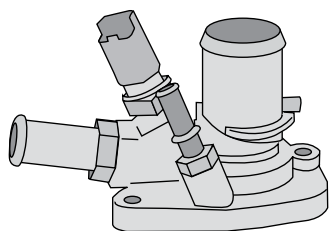
Special design thermostat integrated into housing, 2 bolt holes. Coolant sensor & gasket included.



Temp. Part No.
88°C TT1670-190

TT1672 Series

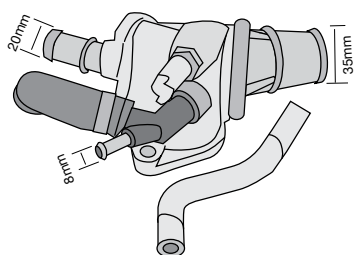
Special design thermostat integrated into housing. Coolant sensor & gasket included.



Temp. Part No.
88°C TT1672-190

TT1675 Series

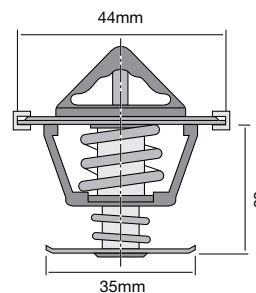
Special design thermostat integrated into housing, 2 bolt holes. Coolant sensor & gasket included.



Temp. Part No.
88°C TT1675-190

TT1685 Series

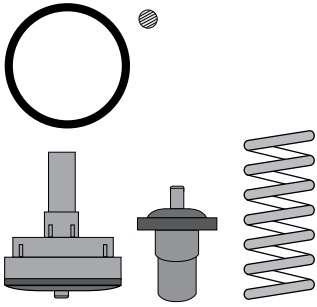
Bypass style thermostat, gasket included.



Temp. Part No.
88°C TT1685-190

TT1686 Series

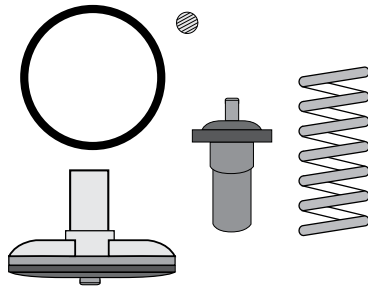
Special design thermostat insert assembly, gasket included.



Temp. Part No.
95°C TT1686-203

TT1689 Series

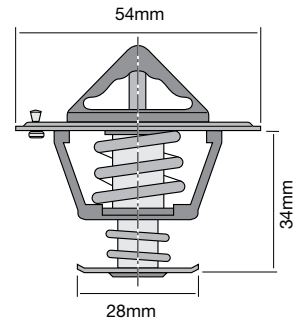
Special design thermostat insert assembly, gasket included.



Temp. Part No.
80°C TT1689-176

TT1694 Series

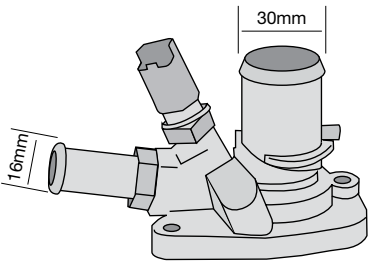
Bypass style thermostat with inverse jiggle pin, gasket included.



Temp. Part No.
80°C TT1694-176

TT1699 Series

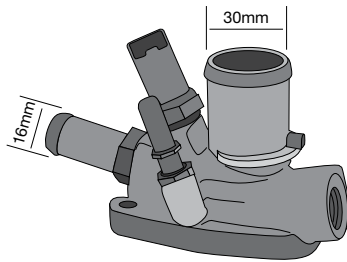
Special design thermostat integrated into housing. Coolant sensor & gasket included.



Temp. Part No.
88°C TT1699-190

TT1701 Series

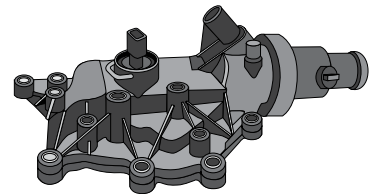
Special design thermostat integrated into housing. Coolant sensor & gasket included.



Temp. Part No.
80°C TT1701-176

TT1706 Series

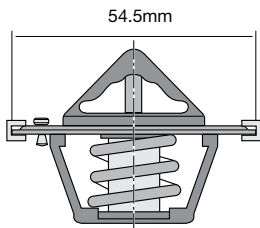
Special design thermostat integrated into housing. Coolant sensor & gasket included.



Temp. Part No.
89°C TT1706-192

TT1712 Series

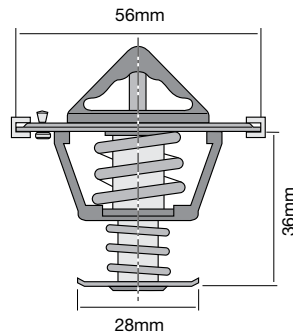
Conventional style thermostat with jiggle pin, gasket included.



Temp. Part No.
82°C TT1712-180

TT1728 Series

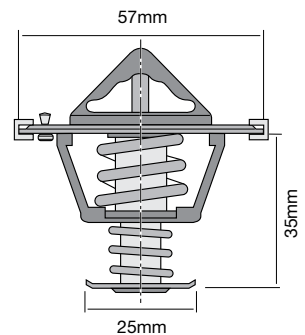
Bypass style thermostat with jiggle pin, gasket included.



Temp. Part No.
82°C TT1728-180

TT1731 Series

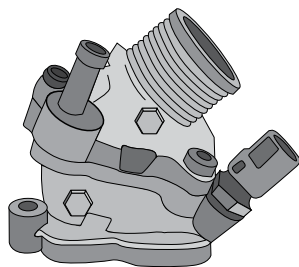
Bypass style thermostat with jiggle pin, gasket included.



Temp. Part No.
90°C TT1731-194

TT1732 Series

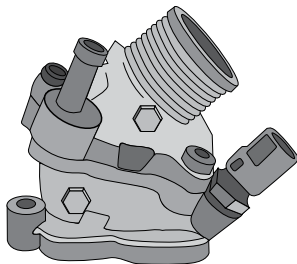
Special design thermostat integrated into housing, 2 bolt holes. Coolant sensor & gasket included.



Temp. Part No.
90°C TT1732-194

TT1733 Series

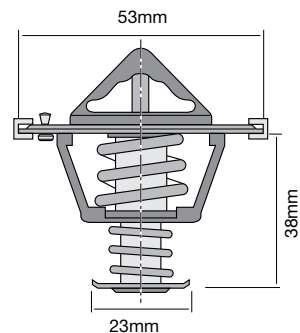
Special design thermostat integrated into housing, 2 bolt holes. Coolant sensor & gasket included.



Temp. Part No.
90°C TT1733-194

TT1742 Series

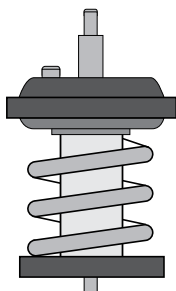
Bypass style thermostat with jiggle pin, gasket included.



Temp. Part No.
95°C TT1742-203

TT1743 Series

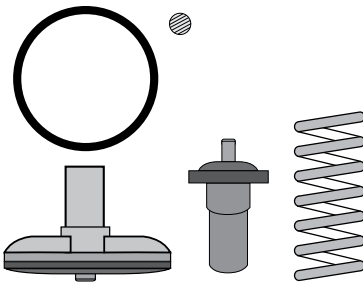
Special design thermostat insert with jiggle pin, gasket included.



Temp. Part No.
95°C TT1743-203

TT1745 Series

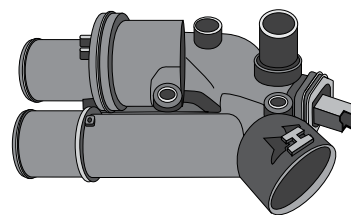
Special design thermostat insert with jiggle pin, gasket included.



Temp. Part No.
83°C TT1745-181

TT1747 Series

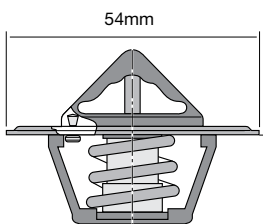
Special design thermostat integrated into housing. Coolant sensor & gasket included.



Temp. Part No.
83°C TT1747-181

TT2000 Series

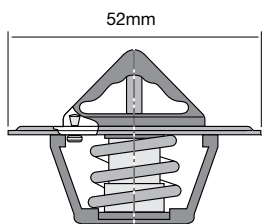
Conventional style thermostat with jiggle pin.
High flow version of TT1 series.



Temp. Part No.	Temp. Part No.
71°C TT2000-160	89°C TT2000-192
77°C TT2000-170	91°C TT2000-195
82°C TT2000-180	
88°C TT2000-190	

TT2001 Series

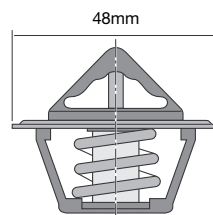
Conventional style thermostat with jiggle pin.
High flow version of TT6 series.



Temp. Part No.
71°C TT2001-160
82°C TT2001-180
88°C TT2001-190

TT2002 Series

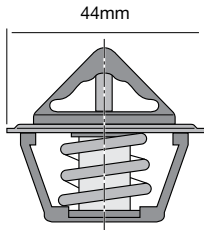
Conventional style thermostat. High flow version of TT4 series.



Temp. Part No.
82°C TT2002-180
89°C TT2002-192
91°C TT2002-195

TT2003 Series

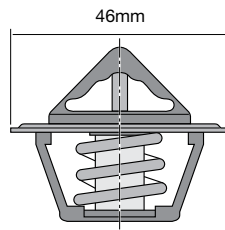
Conventional style thermostat. High flow version of TT2003 series.



Temp. Part No.
82°C TT2003-180
91°C TT2003-195

TT2004 Series

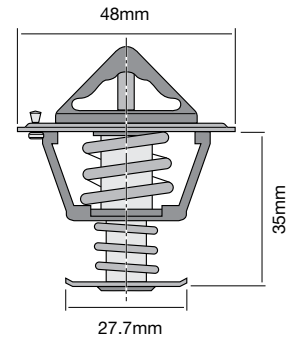
Conventional style thermostat. High flow version of TT2004 series.



Temp. Part No.
79°C TT2004-174

TT2014 Series

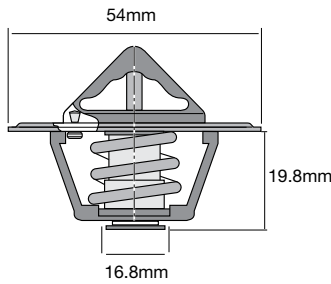
Bypass style thermostat. High flow version of TT214 series.



Temp. Part No.
60°C TT2014-140
77°C TT2014-170
82°C TT2014-180
89°C TT2014-192

TT2023 Series

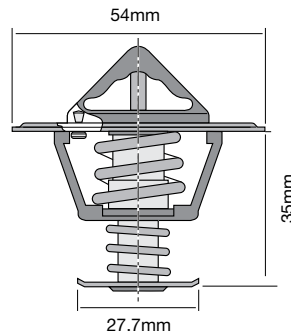
Bypass style thermostat. Ford Cleveland V8 with jiggle pin.



Temp. Part No.
77°C TT2023-170
82°C TT2023-180

TT2028 Series

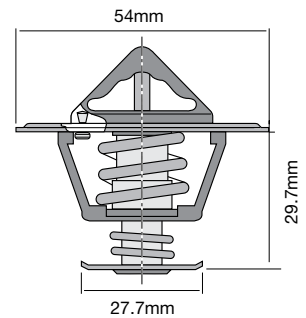
Bypass style thermostat with jiggle pin. High flow version of TT228 series.



Temp. Part No.
77°C TT2028-170
82°C TT2028-180
91°C TT2028-195

TT2029 Series

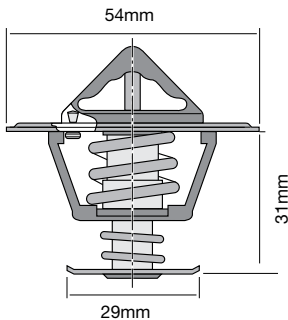
Bypass style thermostat with jiggle pin. High flow version of TT229 series.



Temp. Part No.
60°C TT2029-140
71°C TT2029-160
82°C TT2029-180
91°C TT2029-195

TT2033 Series

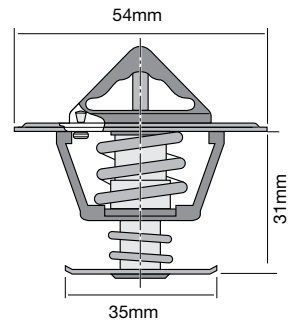
Bypass style thermostat with jiggle pin. High flow version of TT233 series.



Temp. Part No.
77°C TT2033-170
82°C TT2033-180
89°C TT2033-192
91°C TT2033-195

TT2034 Series

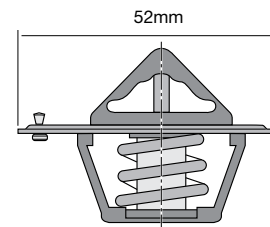
Bypass style thermostat with jiggle pin. High flow version of TT234 series.



Temp. Part No.
82°C TT2034-180
89°C TT2034-192

TT2040 Series

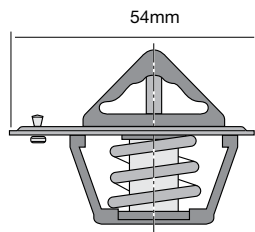
Offset conventional style thermostat with jiggle pin. High flow version of TT240 series.



Temp. Part No.
82°C TT2040-180
89°C TT2040-192

TT2041 Series

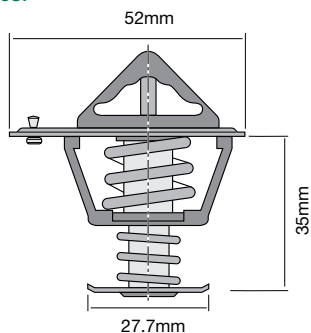
Offset conventional style thermostat with jiggle pin. High flow version of TT241 series.



Temp. Part No.
 77°C TT2041-170
 82°C TT2041-180
 85°C TT2041-185
 88°C TT2041-190

TT2042 Series

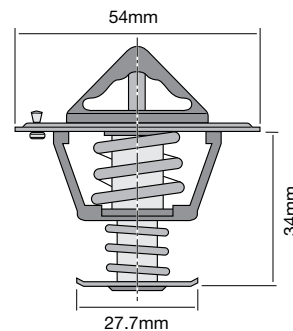
Offset bypass style thermostat with jiggle pin. High flow version of TT242 series.



Temp. Part No.
 77°C TT2042-170
 82°C TT2042-180
 89°C TT2042-192

TT2065 Series

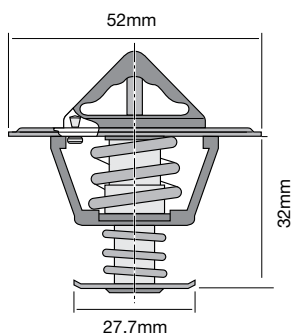
Bypass style thermostat with jiggle pin. High flow version of TT265 series.



Temp. Part No.
 82°C TT2065-180
 89°C TT2065-192
 91°C TT2065-195

TT2322 Series

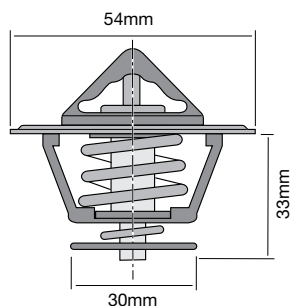
Bypass style thermostat with jiggle pin. High flow version of TT322 series.



Temp. Part No.
 82°C TT2322-180
 89°C TT2322-192

TT8010 Series

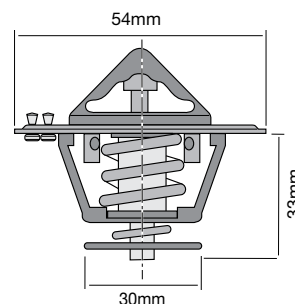
Bypass style thermostat.



Temp. Part No.
 82°C TT8010-180P

TT8017 Series

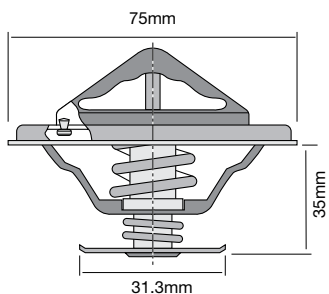
Bypass style thermostat with double jiggle pin.



Temp. Part No.
 82°C TT8017-180P

TT8039 Series

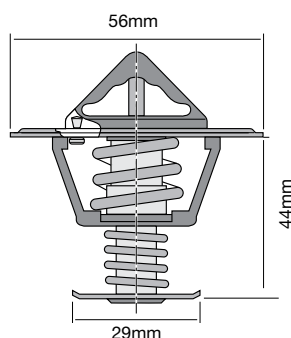
Bypass style thermostat with jiggle pin.



Temp. Part No.
 82°C TT8039-180P

TT8047 Series

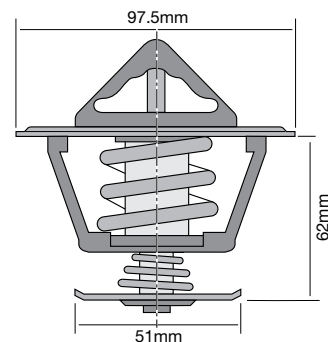
Bypass style thermostat with inverse jiggle pin.



Temp. Part No.
 89°C TT8047-192P

TT8069 Series

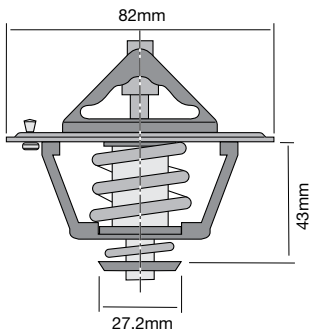
Bypass style thermostat.



Temp. Part No.
 77°C TT8069-170P

TT8073 Series

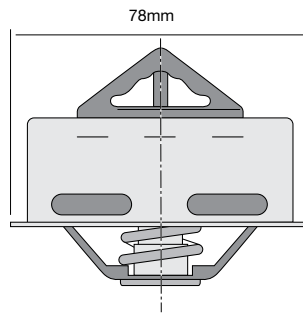
Bypass style thermostat with double jiggle pin.



Temp. Part No.
77°C TT8073-170P
82°C TT8073-180P

TT8078 Series

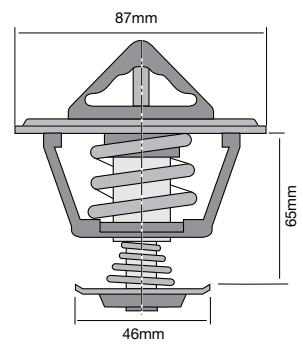
Special design thermostat.



Temp. Part No.
77°C TT8078-170P

TT8085 Series

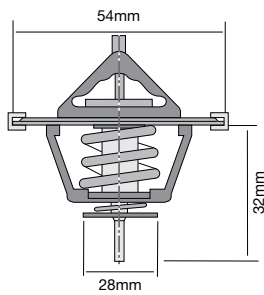
Bypass style thermostat.



Temp. Part No.
77°C TT8085-170P

TT8090 Series

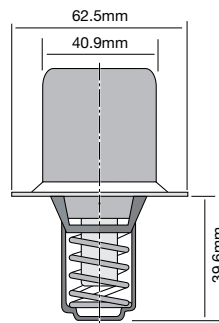
Bypass style thermostat, gasket included.



Temp. Part No.
82°C TT8090-180P

TT8700 Series

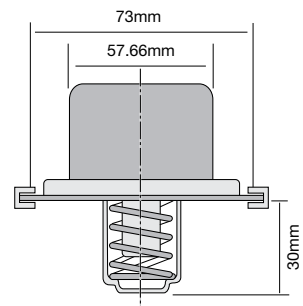
Special design thermostat.



Temp. Part No.
71°C TT8700-160P
77°C TT8700-170P
82°C TT8700-180P
91°C TT8700-195P

TT8800 Series

Special design thermostat.



Temp. Part No.
71°C TT8800-160P
77°C TT8800-170P
82°C TT8800-180P
91°C TT8800-195P

Temperature Conversion

Fahrenheit Celsius

140 – 60

160 – 71

165 – 74

167 – 75

170 – 77

172 – 78

174 – 79

Fahrenheit Celsius

176 – 80

180 – 82

181 – 83

182 – 83

183 – 84

185 – 85

186 – 86

Fahrenheit Celsius

187 – 86

189 – 87

190 – 88

192 – 89

194 – 90

195 – 91

198 – 92

Fahrenheit Celsius

203 – 95

205 – 96

206 – 97




212 – 100

217 – 103




221 – 105




228 – 109

Thermostat Size - Quick Reference Guide




 Flange Diameter	 Height	 Foot Diameter	Style	Gasket Included	Flow Type	Opening Temp		Tridon Part Number
						°C	°F	
32.5mm	-	-	Special Design	YES		85°C	185°F	TT385-185P
32.5mm	-	-	Special Design	YES		88°C	190°F	TT385-190P
38mm	-	44.5mm	Special Design	YES		89°C	192°F	TT207-192
40.5mm	-	-	Special Design	NO		89°C	192°F	TT345-192P
40.8mm	46mm	35mm	Bypass (Housing)	YES		82°C	180°F	TT639-180P
41mm	46mm	35mm	Bypass (Housing)	NO		82°C	180°F	TT479-180P
43.5mm	-	-	Special Design	NO		77°C	170°F	TT237-170P
43.5mm	-	-	Special Design	NO		82°C	180°F	TT237-180P
43.5mm	-	-	Special Design	NO		89°C	192°F	TT237-192P
44mm	33mm	35mm	Bypass	YES		88°C	190°F	TT1685-190
44mm	35mm	29mm	Bypass	NO		74°C	165°F	TT342-165
44mm	35mm	29mm	Bypass	NO		77°C	170°F	TT342-170
44mm	35mm	29mm	Bypass	NO		82°C	180°F	TT342-180
44mm	39mm	23.3mm	Bypass (Offset)	NO		82°C	180°F	TT327-180
44mm	-	16.8mm	Bypass	NO		82°C	180°F	TT266-180
44mm	-	-	Conventional	NO	High Flow	82°C	180°F	TT2003-180
44mm	-	-	Conventional	NO	High Flow	91°C	195°F	TT2003-195
44mm	-	-	Conventional	NO		82°C	180°F	TT203-180
44mm	-	-	Conventional	NO		91°C	195°F	TT203-195
44mm	-	-	Conventional (Offset)	NO		82°C	180°F	TT239-180
44mm	-	-	Conventional (Offset)	NO		85°C	185°F	TT239-185
44mm	-	-	Conventional (Offset)	NO		89°C	192°F	TT239-192
44mm	-	-	Conventional (Offset)	NO		84°C	182°F	TT367-182
44mm	-	-	Conventional (Offset)	YES		95°C	203°F	TT657-203
46mm	22.6mm	-	Conventional (Offset)	YES		82°C	180°F	TT340-180
46mm	22.6mm	-	Conventional (Offset)	YES		91°C	195°F	TT340-195
46mm	-	-	Conventional	NO	High Flow	79°C	174°F	TT2004-174
46mm	-	-	Conventional	NO		79°C	174°F	TT204-174
46mm	-	-	Conventional (Offset)	YES		91°C	195°F	TT425-195
47.8mm	-	-	Conventional	NO		91°C	195°F	TT630-195
48mm	33mm	27.7mm	Bypass (Offset)	NO		82°C	180°F	TT564-180
48mm	35mm	27.7mm	Bypass	NO	High Flow	60°C	140°F	TT2014-140
48mm	35mm	27.7mm	Bypass	NO	High Flow	77°C	170°F	TT2014-170
48mm	35mm	27.7mm	Bypass	NO	High Flow	82°C	180°F	TT2014-180
48mm	35mm	27.7mm	Bypass	NO	High Flow	89°C	192°F	TT2014-192
48mm	35mm	27.7mm	Bypass	NO		60°C	140°F	TT214-140
48mm	35mm	27.7mm	Bypass	NO		71°C	160°F	TT214-160
48mm	35mm	27.7mm	Bypass	NO		77°C	170°F	TT214-170
48mm	35mm	27.7mm	Bypass	NO		82°C	180°F	TT214-180
48mm	35mm	27.7mm	Conventional	NO		89°C	192°F	TT214-192
48mm	-	-	Bypass	YES	High Flow	82°C	180°F	TT531-180
48mm	-	-	Conventional	NO	High Flow	82°C	180°F	TT2002-180
48mm	-	-	Conventional	NO	High Flow	89°C	192°F	TT2002-192
48mm	-	-	Conventional	NO	High Flow	91°C	195°F	TT2002-195
48mm	-	-	Conventional	NO		82°C	180°F	TT4-180
48mm	-	-	Conventional	NO		85°C	185°F	TT4-185
48mm	-	-	Conventional	NO		89°C	192°F	TT4-192
48mm	-	-	Conventional	NO		91°C	195°F	TT4-195
48mm	-	-	Conventional	NO		92°C	198°F	TT4-198
48mm	-	-	Conventional (Offset)	NO		91°C	195°F	TT465-195
48mm	-	-	Conventional (Offset)	NO		82°C	180°F	TT565-180
50mm	32mm	27.7mm	Bypass (Offset)	YES		77°C	170°F	TT441-170
50mm	42.5mm	25mm	Bypass (Housing)	YES		89°C	192°F	TT443-192P
50mm	-	-	Conventional	NO		75°C	167°F	TT305-167



Thermostat Size - Quick Reference Guide

 Flange Diameter	 Height	 Foot Diameter	Style	Gasket Included	Flow Type	Opening Temp		Tridon Part Number
						°C	°F	
50mm	-	-	Conventional	NO		89°C	192°F	TT305-192
52mm	31mm	29mm	Bypass	NO		82°C	180°F	TT215-180
52mm	31mm	35mm	Bypass	NO		89°C	192°F	TT270-192
52mm	32mm	27.7mm	Bypass	NO	High Flow	82°C	180°F	TT2322-180
52mm	32mm	27.7mm	Bypass	NO	High Flow	89°C	192°F	TT2322-192
52mm	32mm	27.7mm	Bypass	NO		82°C	180°F	TT322-180
52mm	32mm	27.7mm	Bypass	NO		89°C	192°F	TT322-192
52mm	32mm	27.7mm	Bypass	YES	High Flow	82°C	180°F	TT528-180
52mm	33mm	27.7mm	Bypass	NO		82°C	180°F	TT363-180
52mm	35mm	27.7mm	Bypass (Offset)	NO	High Flow	77°C	170°F	TT2042-170
52mm	35mm	27.7mm	Bypass (Offset)	NO	High Flow	82°C	180°F	TT2042-180
52mm	35mm	27.7mm	Bypass (Offset)	NO	High Flow	89°C	192°F	TT2042-192
52mm	35mm	27.7mm	Bypass (Offset)	NO		77°C	170°F	TT242-170
52mm	35mm	27.7mm	Bypass (Offset)	NO		82°C	180°F	TT242-180
52mm	35mm	27.7mm	Bypass (Offset)	NO		89°C	192°F	TT242-192
52mm	35mm	27.7mm	Bypass (Offset)	YES	High Flow	89°C	192°F	TT446-192
52mm	35mm	27.7mm	Bypass (Offset)	YES		85°C	185°F	TT384-185
52mm	35mm	27.7mm	Bypass	YES		79°C	174°F	TT533-174
52mm	36mm	27.7mm	Bypass	NO		77°C	170°F	TT328-170
52mm	36mm	27.7mm	Bypass	NO		82°C	180°F	TT328-180
52mm	39mm	27.7mm	Bypass	YES	High Flow	82°C	180°F	TT444-180
52mm	39mm	27.7mm	Bypass	YES		82°C	180°F	TT532-180
52mm	39mm	33mm	Bypass	YES		82°C	180°F	TT388-180
52mm	39mm	33mm	Bypass	YES		88°C	190°F	TT388-190
52mm	40mm	27.7mm	Bypass (Offset)	YES	High Flow	82°C	180°F	TT620-180
52mm	41mm	27.7mm	Bypass	NO		82°C	180°F	TT319-180
52mm	47mm	33mm	Bypass	NO	High Flow	80°C	176°F	TT412-176
52mm	-	-	Conventional	NO	High Flow	71°C	160°F	TT2001-160
52mm	-	-	Conventional	NO	High Flow	82°C	180°F	TT2001-180
52mm	-	-	Conventional	NO	High Flow	88°C	190°F	TT2001-190
52mm	-	-	Conventional	NO		71°C	160°F	TT6-160
52mm	-	-	Conventional	NO		82°C	180°F	TT6-180
52mm	-	-	Conventional	NO		88°C	190°F	TT6-190
52mm	-	-	Conventional	YES	High Flow	96°C	205°F	TT457-205
52mm	-	-	Conventional	YES		92°C	198°F	TT333-198
52mm	-	-	Conventional (Offset)	NO	High Flow	82°C	180°F	TT323-180
52mm	-	-	Conventional (Offset)	NO	High Flow	89°C	192°F	TT323-192
52mm	-	-	Conventional (Offset)	NO	High Flow	82°C	180°F	TT2040-180
52mm	-	-	Conventional (Offset)	NO	High Flow	89°C	192°F	TT2040-192
52mm	-	-	Conventional (Offset)	NO		71°C	160°F	TT240-160
52mm	-	-	Conventional (Offset)	NO		82°C	180°F	TT240-180
52mm	-	-	Conventional (Offset)	NO		89°C	192°F	TT240-192
52mm	-	-	Conventional (Offset)	YES	High Flow	82°C	180°F	TT445-180
52mm	-	-	Conventional (Offset)	YES	High Flow	89°C	192°F	TT445-192
52mm	-	-	Special Design	NO		88°C	190°F	TT414-190
52mm	-	-	Special Design	YES		89°C	192°F	TT507-192
53.5mm	-	-	Conventional	NO		82°C	180°F	TT276-180
53.5mm	-	-	Conventional	NO		89°C	192°F	TT276-192
53mm	38mm	23mm	Bypass	YES		95°C	203°F	TT1742-203
54.5mm	-	-	Conventional	YES		82°C	180°F	TT1712-180
54mm	14mm	30mm	Bypass	NO		82°C	180°F	TT216-180P
54mm	14mm	30mm	Bypass	NO		89°C	192°F	TT216-192P
54mm	19.8mm	16.8mm	Bypass	NO	High Flow	77°C	170°F	TT2023-170
54mm	19.8mm	16.8mm	Bypass	NO	High Flow	82°C	180°F	TT2023-180




 Flange Diameter	 Height	 Foot Diameter	Style	Gasket Included	Flow Type	Opening Temp		Tridon Part Number
						°C	°F	
54mm	22.4mm	23.5mm	Bypass	NO		71°C	160°F	TT225-160
54mm	22.4mm	23.5mm	Bypass	NO		82°C	180°F	TT225-180
54mm	22.4mm	23.5mm	Bypass	NO		91°C	195°F	TT225-195
54mm	24.5mm	25mm	Bypass	NO		75°C	167°F	TT230-167
54mm	24.5mm	25mm	Bypass	NO		77°C	170°F	TT230-170
54mm	24.5mm	25mm	Bypass	NO		79°C	174°F	TT230-174
54mm	24.5mm	25mm	Bypass	NO		82°C	180°F	TT230-180
54mm	24.5mm	25mm	Bypass	NO		89°C	192°F	TT230-192
54mm	25mm	35mm	Bypass	NO		82°C	180°F	TT278-180
54mm	26.9mm	23.5mm	Bypass	NO		71°C	160°F	TT226-160
54mm	26.9mm	23.5mm	Bypass	NO		82°C	180°F	TT226-180
54mm	26.9mm	23.5mm	Bypass	NO		91°C	195°F	TT226-195
54mm	27mm	27.7mm	Bypass	NO		75°C	167°F	TT231-167
54mm	27mm	27.7mm	Bypass	NO		82°C	180°F	TT231-180
54mm	27mm	27.7mm	Bypass	NO		89°C	192°F	TT231-192
54mm	29.7mm	27.7mm	Bypass	NO	High Flow	60°C	140°F	TT2029-140
54mm	29.7mm	27.7mm	Bypass	NO	High Flow	71°C	160°F	TT2029-160
54mm	29.7mm	27.7mm	Bypass	NO	High Flow	82°C	180°F	TT2029-180
54mm	29.7mm	27.7mm	Bypass	NO	High Flow	91°C	195°F	TT2029-195
54mm	29.7mm	27.7mm	Bypass	NO		77°C	170°F	TT229-170
54mm	29.7mm	27.7mm	Bypass	NO		82°C	180°F	TT229-180
54mm	29.7mm	27.7mm	Bypass	NO		91°C	195°F	TT229-195
54mm	31mm	29mm	Bypass	NO	High Flow	77°C	170°F	TT2033-170
54mm	31mm	29mm	Bypass	NO	High Flow	82°C	180°F	TT2033-180
54mm	31mm	29mm	Bypass	NO	High Flow	89°C	192°F	TT2033-192
54mm	31mm	29mm	Bypass	NO	High Flow	91°C	195°F	TT2033-195
54mm	31mm	29mm	Bypass	NO		71°C	160°F	TT233-160
54mm	31mm	29mm	Bypass	NO		77°C	170°F	TT233-170
54mm	31mm	29mm	Bypass	NO		82°C	180°F	TT233-180
54mm	31mm	29mm	Bypass	NO		89°C	192°F	TT233-192
54mm	31mm	29mm	Bypass	NO		91°C	195°F	TT233-195
54mm	31mm	35mm	Bypass	NO	High Flow	82°C	180°F	TT2034-180
54mm	31mm	35mm	Bypass	NO	High Flow	89°C	192°F	TT2034-192
54mm	31mm	35mm	Bypass	NO		71°C	160°F	TT234-160
54mm	31mm	35mm	Bypass	NO		82°C	180°F	TT234-180
54mm	31mm	35mm	Bypass	NO		89°C	192°F	TT234-192
54mm	31mm	35mm	Bypass	NO		91°C	195°F	TT234-195
54mm	32mm	21mm	Bypass	NO		82°C	180°F	TT326-180
54mm	32mm	27.7mm	Bypass	YES	High Flow	82°C	180°F	TT427-180
54mm	32mm	28mm	Bypass	YES		82°C	180°F	TT8090-180P
54mm	33mm	23.2mm	Bypass	NO	High Flow	85°C	185°F	TT382-185
54mm	33mm	27.7mm	Bypass	NO	High Flow	82°C	180°F	TT373-180
54mm	33mm	27.7mm	Bypass	NO	High Flow	77°C	170°F	TT377-170
54mm	33mm	27.7mm	Bypass	NO	High Flow	82°C	180°F	TT377-180
54mm	33mm	27.7mm	Bypass	NO		77°C	170°F	TT330-170
54mm	33mm	27.7mm	Bypass	NO		82°C	180°F	TT330-180
54mm	33mm	30mm	Bypass	NO	High Flow	77°C	170°F	TT518-170
54mm	33mm	30mm	Bypass	NO	High Flow	82°C	180°F	TT8010-180P
54mm	33mm	30mm	Bypass	NO	High Flow	82°C	180°F	TT8017-180P
54mm	33mm	33mm	Bypass	NO	High Flow	77°C	170°F	TT329-170
54mm	33mm	33mm	Bypass	NO	High Flow	82°C	180°F	TT329-180
54mm	33mm	33mm	Bypass	NO	High Flow	89°C	192°F	TT329-192
54mm	33mm	35mm	Bypass	NO		77°C	170°F	TT272-170
54mm	33mm	35mm	Bypass	NO		82°C	180°F	TT272-180




Thermostat Size - Quick Reference Guide

 Flange Diameter	 Height	 Foot Diameter	Style	Gasket Included	Flow Type	Opening Temp		Tridon Part Number
						°C	°F	
54mm	33mm	35mm	Bypass	NO		89°C	192°F	TT272-192
54mm	33mm	35mm	Bypass	NO		91°C	195°F	TT272-195
54mm	34.5mm	27.7mm	Bypass	NO	High Flow	77°C	170°F	TT381-170
54mm	34.5mm	27.7mm	Bypass	NO	High Flow	82°C	180°F	TT381-180
54mm	34.5mm	33mm	Bypass	NO		82°C	180°F	TT335-180
54mm	34.5mm	33mm	Bypass	NO		89°C	192°F	TT335-192
54mm	34mm	27.7mm	Bypass	NO	High Flow	77°C	170°F	TT370-170
54mm	34mm	27.7mm	Bypass	NO	High Flow	82°C	180°F	TT2065-180
54mm	34mm	27.7mm	Bypass	NO	High Flow	89°C	192°F	TT2065-192
54mm	34mm	27.7mm	Bypass	NO	High Flow	91°C	195°F	TT2065-195
54mm	34mm	28mm	Bypass	YES		80°C	176°F	TT1694-176
54mm	35.5mm	28mm	Bypass	YES		77°C	170°F	TT658-170
54mm	35mm	27.7mm	Bypass	NO	High Flow	77°C	170°F	TT2028-170
54mm	35mm	27.7mm	Bypass	NO	High Flow	82°C	180°F	TT2028-180
54mm	35mm	27.7mm	Bypass	NO	High Flow	91°C	195°F	TT2028-195
54mm	35mm	27.7mm	Bypass	NO		71°C	160°F	TT228-160
54mm	35mm	27.7mm	Bypass	NO		77°C	170°F	TT228-170
54mm	35mm	27.7mm	Bypass	NO		82°C	180°F	TT228-180
54mm	35mm	27.7mm	Bypass	NO		91°C	195°F	TT228-195
54mm	35mm	27.7mm	Bypass	NO		82°C	180°F	TT265-180
54mm	35mm	27.7mm	Bypass	NO		89°C	192°F	TT265-192
54mm	35mm	27.7mm	Bypass	NO		91°C	195°F	TT265-195
54mm	36mm	30mm	Bypass	YES	High Flow	82°C	180°F	TT307-180
54mm	39.6mm	25mm	Bypass	NO		82°C	180°F	TT224-180
54mm	39.6mm	25mm	Bypass	NO		91°C	195°F	TT224-195
54mm	40mm	30mm	Bypass	NO	High Flow	91°C	195°F	TT338-195
54mm	40mm	35mm	Bypass	NO	High Flow	82°C	180°F	TT480-180
54mm	47mm	37mm	Bypass	YES	High Flow	71°C	160°F	TT456-160
54mm	47mm	37mm	Bypass	YES	High Flow	82°C	180°F	TT456-180
54mm	47mm	37mm	Bypass	YES	High Flow	86°C	187°F	TT456-187
54mm	50mm	35mm	Bypass	NO	High Flow	82°C	180°F	TT354-180P
54mm	50mm	35mm	Bypass	NO	High Flow	87°C	189°F	TT354-189P
54mm	50mm	35mm	Bypass	NO	High Flow	89°C	192°F	TT354-192P
54mm	-	15mm	Bypass	NO		71°C	160°F	TT219-160
54mm	-	15mm	Bypass	NO		82°C	180°F	TT219-180
54mm	-	64.77mm	Special Design	YES		71°C	160°F	TT218-160P
54mm	-	64.77mm	Special Design	YES		82°C	180°F	TT218-180P
54mm	-	-	Bypass	YES		91°C	195°F	TT420-195
54mm	-	-	Conventional	NO	High Flow	71°C	160°F	TT2000-160
54mm	-	-	Conventional	NO	High Flow	77°C	170°F	TT2000-170
54mm	-	-	Conventional	NO	High Flow	82°C	180°F	TT2000-180
54mm	-	-	Conventional	NO	High Flow	88°C	190°F	TT2000-190
54mm	-	-	Conventional	NO	High Flow	89°C	192°F	TT2000-192
54mm	-	-	Conventional	NO	High Flow	91°C	195°F	TT2000-195
54mm	-	-	Conventional	NO		71°C	160°F	TT1-160
54mm	-	-	Conventional	NO		75°C	167°F	TT1-167
54mm	-	-	Conventional	NO		77°C	170°F	TT1-170
54mm	-	-	Conventional	NO		79°C	174°F	TT1-174
54mm	-	-	Conventional	NO		82°C	180°F	TT1-180
54mm	-	-	Conventional	NO		88°C	190°F	TT1-190
54mm	-	-	Conventional	NO		89°C	192°F	TT1-192
54mm	-	-	Conventional	NO		91°C	195°F	TT1-195
54mm	-	-	Conventional	NO		82°C	180°F	TT244-180
54mm	-	-	Conventional	NO		89°C	192°F	TT244-192

 Flange Diameter	 Height	 Foot Diameter	Style	Gasket Included	Flow Type	Opening Temp		Tridon Part Number
						°C	°F	
54mm	-	-	Conventional	NO		91°C	195°F	TT244-195
54mm	-	-	Conventional	NO		92°C	198°F	TT244-198
54mm	-	-	Conventional	NO		88°C	190°F	TT449-190
54mm	-	-	Conventional (Offset)	NO	High Flow	77°C	170°F	TT2041-170
54mm	-	-	Conventional (Offset)	NO	High Flow	82°C	180°F	TT2041-180
54mm	-	-	Conventional (Offset)	NO	High Flow	85°C	185°F	TT2041-185
54mm	-	-	Conventional (Offset)	NO	High Flow	88°C	190°F	TT2041-190
54mm	-	-	Conventional (Offset)	NO		77°C	170°F	TT241-170
54mm	-	-	Conventional (Offset)	NO		82°C	180°F	TT241-180
54mm	-	-	Conventional (Offset)	NO		85°C	185°F	TT241-185
54mm	-	-	Conventional (Offset)	NO		88°C	190°F	TT241-190
54mm	-	-	Conventional (Offset)	YES	High Flow	82°C	180°F	TT374-180
54mm	-	-	Special Design	NO		88°C	190°F	TT561-190
55.5mm	-	-	Special Design	NO		71°C	160°F	TT238-160
55.5mm	-	-	Special Design	NO		77°C	170°F	TT238-170
55.5mm	-	-	Special Design	NO		82°C	180°F	TT238-180
56mm	28.5mm	29mm	Bypass	NO		82°C	180°F	TT380-180
56mm	33mm	35mm	Bypass	NO		75°C	167°F	TT235-167
56mm	33mm	35mm	Bypass	NO		82°C	180°F	TT235-180
56mm	33mm	35mm	Bypass	NO		91°C	195°F	TT235-195
56mm	34mm	27.7mm	Bypass	NO	High Flow	82°C	180°F	TT298-180
56mm	35mm	27.7mm	Bypass	NO	High Flow	82°C	180°F	TT296-180
56mm	36mm	28mm	Bypass	YES		82°C	180°F	TT1728-180
56mm	42mm	27.7mm	Bypass	YES	High Flow	71°C	160°F	TT299-160
56mm	42mm	27.7mm	Bypass	YES	High Flow	77°C	170°F	TT299-170
56mm	42mm	27.7mm	Bypass	YES	High Flow	82°C	180°F	TT299-180
56mm	42mm	27.7mm	Bypass	YES	High Flow	89°C	192°F	TT299-192
56mm	43mm	28mm	Bypass	YES		82°C	180°F	TT1404-180
56mm	44mm	29mm	Bypass	NO	High Flow	77°C	170°F	TT281-170
56mm	44mm	29mm	Bypass	NO	High Flow	82°C	180°F	TT281-180
56mm	44mm	29mm	Bypass	NO	High Flow	89°C	192°F	TT8047-192P
56mm	52.5mm	40.3mm	Bypass	YES	High Flow	71°C	160°F	TT523-160
56mm	52.5mm	40.3mm	Bypass	YES	High Flow	77°C	170°F	TT523-170
56mm	52.5mm	40.3mm	Bypass	YES	High Flow	86°C	187°F	TT523-187
56mm	-	-	Conventional (Offset)	NO	High Flow	77°C	170°F	TT294-170
56mm	-	-	Conventional (Offset)	NO	High Flow	84°C	183°F	TT294-183
56mm	-	-	Conventional (Offset)	NO	High Flow	88°C	190°F	TT294-190
56mm	-	-	Special Design	NO		77°C	170°F	TT418-170P
57mm	35mm	25mm	Bypass	YES		90°C	194°F	TT1731-194
57mm	-	-	Conventional	NO		77°C	170°F	TT208-170
57mm	-	-	Conventional	NO		82°C	180°F	TT208-180
59mm	28mm	25mm	Bypass	YES	High Flow	91°C	195°F	TT390-195
60mm	41mm	30mm	Bypass	NO	High Flow	71°C	160°F	TT410-160
60mm	41mm	30mm	Bypass	NO	High Flow	77°C	170°F	TT410-170
60mm	41mm	30mm	Bypass	NO	High Flow	82°C	180°F	TT410-180
60mm	-	-	Conventional	NO		71°C	160°F	TT209-160
62.5mm	39.6mm	-	Special Design	NO		71°C	160°F	TT8700-160P
62.5mm	39.6mm	-	Special Design	NO		77°C	170°F	TT8700-170P
62.5mm	39.6mm	-	Special Design	NO		82°C	180°F	TT8700-180P
62.5mm	39.6mm	-	Special Design	NO		91°C	195°F	TT8700-195P
62.5mm	-	-	Special Design	NO		79°C	174°F	TT405-174P
63mm	-	15mm	Bypass	NO		71°C	160°F	TT220-160
63mm	-	15mm	Bypass	NO		82°C	180°F	TT220-180
63mm	-	23.5mm	Bypass	NO		71°C	160°F	TT221-160




Thermostat Size - Quick Reference Guide

 Flange Diameter	 Height	 Foot Diameter	Style	Gasket Included	Flow Type	Opening Temp		Tridon Part Number
						°C	°F	
63mm	-	23.5mm	Bypass	NO		77°C	170°F	TT221-170
63mm	-	23.5mm	Bypass	NO		82°C	180°F	TT221-180
63mm	-	-	Bypass	NO		71°C	160°F	TT222-160
63mm	-	-	Bypass	NO		82°C	180°F	TT222-180
63mm	-	-	Conventional	NO		71°C	160°F	TT2-160
63mm	-	-	Conventional	NO		77°C	170°F	TT2-170
63mm	-	-	Conventional	NO		82°C	180°F	TT2-180
63mm	-	-	Conventional	NO		91°C	195°F	TT2-195
64mm	38.5mm	30mm	Bypass	YES	High Flow	82°C	180°F	TT534-180
64mm	38mm	29mm	Bypass	YES	High Flow	82°C	180°F	TT303-180
64mm	40mm	27.7mm	Bypass	YES	High Flow	85°C	185°F	TT411-185
64mm	40mm	30mm	Bypass	YES		82°C	180°F	TT1370-180
64mm	40mm	33mm	Bypass	NO	High Flow	77°C	170°F	TT334-170
64mm	40mm	33mm	Bypass	NO	High Flow	82°C	180°F	TT334-180
64mm	42.5mm	30mm	Bypass	YES	High Flow	82°C	180°F	TT635-180
64mm	42mm	29mm	Bypass	YES	High Flow	77°C	170°F	TT301-170
64mm	42mm	29mm	Bypass	YES	High Flow	82°C	180°F	TT301-180
64mm	42mm	29mm	Bypass	YES	High Flow	85°C	185°F	TT301-185
64mm	42mm	29mm	Bypass	YES	High Flow	89°C	192°F	TT301-192
64mm	42mm	30mm	Bypass	NO	High Flow	77°C	170°F	TT302-170
64mm	42mm	30mm	Bypass	NO	High Flow	82°C	180°F	TT302-180
64mm	42mm	30mm	Bypass	NO	High Flow	82°C	180°F	TT332-180
64mm	42mm	30mm	Bypass	NO	High Flow	91°C	195°F	TT332-195
64mm	43mm	30mm	Bypass	NO	High Flow	82°C	180°F	TT297-180
64mm	43mm	30mm	Bypass	NO	High Flow	89°C	192°F	TT297-192
64mm	43mm	30mm	Bypass	NO	High Flow	82°C	180°F	TT336-180
64mm	44mm	27.7mm	Bypass	NO	High Flow	77°C	170°F	TT282-170
64mm	45mm	35mm	Bypass	NO	High Flow	77°C	170°F	TT378-170
64mm	48.5mm	25mm	Bypass	NO	High Flow	71°C	160°F	TT268-160
64mm	48.5mm	25mm	Bypass	NO	High Flow	77°C	170°F	TT268-170
64mm	48.5mm	25mm	Bypass	NO	High Flow	82°C	180°F	TT268-180
64mm	-	-	Conventional	NO	High Flow	77°C	170°F	TT320-170
64mm	-	-	Conventional	NO	High Flow	82°C	180°F	TT320-180
67mm	24.5mm	27.7mm	Bypass	NO	High Flow	77°C	170°F	TT249-170
67mm	24.5mm	27.7mm	Bypass	NO	High Flow	79°C	174°F	TT249-174
67mm	24.5mm	27.7mm	Bypass	NO	High Flow	82°C	180°F	TT249-180
67mm	24.5mm	33mm	Bypass	NO	High Flow	77°C	170°F	TT273-170
67mm	24.5mm	33mm	Bypass	NO	High Flow	82°C	180°F	TT273-180
67mm	24.5mm	33mm	Bypass	NO	High Flow	89°C	192°F	TT273-192
67mm	24.5mm	35mm	Bypass	NO	High Flow	77°C	170°F	TT304-170
67mm	24.5mm	35mm	Bypass	NO	High Flow	82°C	180°F	TT304-180
67mm	24.5mm	35mm	Bypass	NO	High Flow	84°C	183°F	TT304-183
67mm	24.5mm	35mm	Bypass	NO	High Flow	89°C	192°F	TT304-192
67mm	24.5mm	37mm	Bypass	NO	High Flow	77°C	170°F	TT247-170
67mm	24.5mm	37mm	Bypass	NO	High Flow	79°C	174°F	TT247-174
67mm	24.5mm	37mm	Bypass	NO	High Flow	82°C	180°F	TT247-180
67mm	24.5mm	37mm	Bypass	NO	High Flow	89°C	192°F	TT247-192
67mm	24.5mm	37mm	Bypass	NO	High Flow	91°C	195°F	TT247-195
67mm	24.5mm	42mm	Bypass	NO	High Flow	82°C	180°F	TT251-180
67mm	24.5mm	42mm	Bypass	NO	High Flow	85°C	185°F	TT251-185
67mm	24.5mm	43mm	Bypass	NO	High Flow	71°C	160°F	TT248-160
67mm	24.5mm	43mm	Bypass	NO	High Flow	75°C	167°F	TT248-167
67mm	24.5mm	43mm	Bypass	NO	High Flow	77°C	170°F	TT248-170
67mm	24.5mm	43mm	Bypass	NO	High Flow	79°C	174°F	TT248-174

 Flange Diameter	 Height	 Foot Diameter	Style	Gasket Included	Flow Type	Opening Temp		Tridon Part Number
						°C	°F	
67mm	24.5mm	43mm	Bypass	NO	High Flow	82°C	180°F	TT248-180
67mm	24.5mm	43mm	Bypass	NO	High Flow	87°C	189°F	TT248-189
67mm	24.5mm	43mm	Bypass	NO	High Flow	89°C	192°F	TT248-192
67mm	24.5mm	43mm	Bypass	NO	High Flow	91°C	195°F	TT248-195
67mm	24.5mm	50mm	Bypass	NO	High Flow	82°C	180°F	TT277-180
67mm	24.5mm	50mm	Bypass	NO	High Flow	89°C	192°F	TT277-192
67mm	26mm	29mm	Bypass	NO	High Flow	78°C	172°F	TT551-172
67mm	26mm	33mm	Bypass	NO	High Flow	82°C	180°F	TT274-180
67mm	26mm	33mm	Bypass	NO	High Flow	89°C	192°F	TT274-192
67mm	26mm	33mm	Bypass	NO	High Flow	92°C	198°F	TT274-198
67mm	26mm	37mm	Bypass	NO		79°C	174°F	TT263-174
67mm	33.5mm	37mm	Bypass	NO	High Flow	82°C	180°F	TT246-180
67mm	44mm	29mm	Bypass	NO	High Flow	80°C	176°F	TT269-176
67mm	44mm	29mm	Bypass	NO	High Flow	82°C	180°F	TT269-180
67mm	-	-	Conventional	NO	High Flow	82°C	180°F	TT271-180
68mm	26mm	25mm	Bypass	YES		84°C	183°F	TT1326-183
68mm	-	-	Special Design	YES		80°C	176°F	TT1309-176
68mm	-	-	Special Design	YES		85°C	185°F	TT1309-185
73.3mm	26.2mm	-	Special Design	YES	High Flow	71°C	160°F	TT245-160P
73.3mm	26.2mm	-	Special Design	YES	High Flow	82°C	180°F	TT245-180P
73.3mm	26.2mm	-	Special Design	YES	High Flow	89°C	192°F	TT245-192P
73mm	30mm	-	Special Design	NO		71°C	160°F	TT8800-160P
73mm	30mm	-	Special Design	NO		77°C	170°F	TT8800-170P
73mm	30mm	-	Special Design	NO		82°C	180°F	TT8800-180P
73mm	30mm	-	Special Design	NO		91°C	195°F	TT8800-195P
73mm	31.4mm	-	Special Design	YES		79°C	174°F	TT459-174P
73mm	35mm	35mm	Bypass	NO	High Flow	77°C	170°F	TT331-170
73mm	35mm	35mm	Bypass	NO	High Flow	82°C	180°F	TT331-180
73mm	38mm	27.7mm	Bypass	NO	High Flow	77°C	170°F	TT286-170P
73mm	38mm	27.7mm	Bypass	NO	High Flow	82°C	180°F	TT286-180P
73mm	38mm	27.7mm	Bypass	NO	High Flow	89°C	192°F	TT286-192P
75mm	24.5mm	43mm	Bypass	NO		71°C	160°F	TT275-160
75mm	24.5mm	43mm	Bypass	NO		79°C	174°F	TT275-174
75mm	24.5mm	43mm	Bypass	NO		85°C	185°F	TT275-185
75mm	35mm	31.3mm	Bypass	NO		82°C	180°F	TT8039-180P
75mm	35mm	35mm	Bypass	NO		82°C	180°F	TT371-180
75mm	35mm	35mm	Bypass	NO		82°C	180°F	TT372-180
75mm	37mm	43mm	Bypass	NO	High Flow	82°C	180°F	TT368-180
78mm	40mm	50mm	Bypass	NO		77°C	170°F	TT375-170P
78mm	-	-	Special Design	NO		77°C	170°F	TT8078-170P
82mm	43mm	27.2mm	Bypass	NO		77°C	170°F	TT8073-170P
82mm	43mm	27.2mm	Bypass	NO		82°C	180°F	TT8073-180P
82mm	43mm	50mm	Bypass	NO	High Flow	77°C	170°F	TT369-170P
82mm	43mm	50mm	Bypass	NO	High Flow	82°C	180°F	TT369-180P
83mm	43mm	50mm	Bypass	YES	High Flow	82°C	180°F	TT519-180P
84mm	32mm	43mm	Bypass	NO	High Flow	79°C	174°F	TT288-174
84mm	32mm	43mm	Bypass	NO	High Flow	85°C	185°F	TT288-185
84mm	32mm	43mm	Bypass	NO	High Flow	91°C	195°F	TT288-195
84mm	32mm	43mm	Bypass	NO	High Flow	95°C	203°F	TT288-203
85mm	43mm	50mm	Bypass	NO		71°C	160°F	TT289-160P
85mm	43mm	50mm	Bypass	NO		79°C	174°F	TT289-174P
85mm	43mm	50mm	Bypass	NO		82°C	180°F	TT289-180P
87mm	65mm	46mm	Bypass	NO		77°C	170°F	TT8085-170P
92mm	43mm	50mm	Bypass	NO		71°C	160°F	TT292-160P

Thermostat Size - Quick Reference Guide

 Flange Diameter	 Height	 Foot Diameter	Style	Gasket Included	Flow Type	Opening Temp		Tridon Part Number
						°C	°F	
92mm	43mm	50mm	Bypass	NO		75°C	167°F	TT292-167P
92mm	43mm	50mm	Bypass	NO		79°C	174°F	TT292-174P
92mm	44mm	47mm	Bypass	NO		71°C	160°F	TT293-160P
92mm	44mm	47mm	Bypass	NO		75°C	167°F	TT293-167P
92mm	44mm	47mm	Bypass	NO		79°C	174°F	TT293-174P
97.5mm	62mm	51mm	Bypass	NO		77°C	170°F	TT8069-170P
-	-	-	Bypass (Housing)	YES		82°C	180°F	TT255-180P
-	-	-	Special Design	NO		82°C	180°F	TT256-180P
-	-	-	Bypass (Housing)	NO		82°C	180°F	TT258-180P
-	-	-	Bypass (Housing)	NO		83°C	181°F	TT259-181P
-	-	-	Bypass (Housing)	NO		91°C	195°F	TT259-195P
-	-	-	Bypass (Housing)	NO		82°C	180°F	TT260-180P
-	-	-	Conventional (Housing)	NO		88°C	190°F	TT261-190P
-	-	-	Bypass (Housing)	NO		82°C	180°F	TT262-180P
-	30mm	30mm	Bypass (Housing)	YES	High Flow	91°C	195°F	TT283-195P
-	30mm	30mm	Bypass (Housing)	YES		82°C	180°F	TT287-180P
-	30mm	30mm	Bypass (Housing)	YES		91°C	195°F	TT287-195P
-	28mm	30mm	Bypass (Housing)	YES		82°C	180°F	TT343-180P
-	-	-	Special Design	YES		89°C	192°F	TT347-192P
-	-	-	Special Design	YES		92°C	198°F	TT347-198P
-	30.5mm	30mm	Bypass (Housing)	YES		92°C	198°F	TT348-198P
-	20.5mm	30mm	Bypass (Housing)	YES		89°C	192°F	TT349-192P
-	20.5mm	30mm	Bypass (Housing)	YES		92°C	198°F	TT349-198P
-	-	30mm	Special Design	YES		82°C	180°F	TT350-180P
-	-	30mm	Special Design	YES		89°C	192°F	TT350-192P
-	-	30mm	Special Design	YES		92°C	198°F	TT350-198P
-	33.5mm	43mm	Bypass (Housing)	YES		87°C	189°F	TT351-189P
-	33.5mm	43mm	Bypass (Housing)	YES		89°C	192°F	TT351-192P
-	33.5mm	43mm	Bypass (Housing)	YES		87°C	189°F	TT352-189P
-	33.5mm	43mm	Bypass (Housing)	YES		89°C	192°F	TT352-192P
-	30mm	30mm	Bypass (Housing)	YES		82°C	180°F	TT353-180P
-	30mm	30mm	Bypass (Housing)	YES		92°C	198°F	TT353-198P
-	43mm	35mm	Bypass (Housing)	YES		71°C	160°F	TT379-160P
-	43mm	35mm	Bypass (Housing)	YES		82°C	180°F	TT379-180P
-	43mm	35mm	Bypass (Housing)	YES		86°C	187°F	TT379-187P
-	28mm	30mm	Bypass (Housing)	YES		77°C	170°F	TT391-170P
-	28mm	30mm	Bypass (Housing)	YES		82°C	180°F	TT391-180P
-	34mm	39mm	Bypass (Housing)	YES		95°C	203°F	TT394-203P
-	28mm	30mm	Bypass (Housing)	YES		82°C	180°F	TT431-180P
-	48.5mm	30mm	Bypass (Housing)	YES		89°C	192°F	TT432-192P
-	30mm	23mm	Bypass (Housing)	YES		92°C	198°F	TT436-198P
-	-	-	Conventional (Housing)	YES		89°C	192°F	TT438-192P
-	-	-	Bypass (Housing)	NO		82°C	180°F	TT439-180P
-	-	-	Bypass (Housing)	NO		82°C	180°F	TT440-180P
-	42mm	43mm	Bypass (Housing)	YES		87°C	189°F	TT458-189P
-	42mm	43mm	Bypass (Housing)	YES		89°C	192°F	TT458-192P
-	-	-	Bypass (Housing)	YES		97°C	206°F	TT467-206P
-	-	-	Bypass (Housing)	YES		103°C	217°F	TT467-217P
-	39.5mm	43mm	Bypass (Housing)	YES		105°C	221°F	TT468-221P
-	33mm	33mm	Bypass (Housing)	YES		89°C	192°F	TT471-192P
-	32.1mm	30mm	Bypass (Housing)	YES		92°C	198°F	TT478-198
-	-	33mm	Special Design	YES		87°C	189°F	TT498-189
-	-	33mm	Bypass (Housing)	YES		87°C	189°F	TT503-189

 Flange Diameter	 Height	 Foot Diameter	Style	Gasket Included	Flow Type	Opening Temp		Tridon Part Number
						°C	°F	
-	-	33mm	Bypass (Housing)	YES		89°C	192°F	TT503-192P
-	-	33mm	Bypass (Housing)	YES		92°C	198°F	TT503-198
-	-	33mm	Special Design	YES		87°C	189°F	TT504-189
-	-	33mm	Bypass (Housing)	YES		87°C	189°F	TT505-189
-	-	33mm	Bypass (Housing)	YES		92°C	198°F	TT505-198
-	42.4mm	-	Special Design	YES		88°C	190°F	TT506-190
-	40mm	23mm	Bypass (Housing)	YES		82°C	180°F	TT512-180P
-	40mm	23mm	Bypass (Housing)	YES		82°C	180°F	TT514-180P
-	40mm	23mm	Bypass (Housing)	YES		89°C	192°F	TT514-192P
-	-	-	Special Design	YES		89°C	192°F	TT515-192
-	33.5mm	35mm	Bypass (Housing)	YES		82°C	180°F	TT522-180P
-	-	-	Conventional (Housing)	YES		89°C	192°F	TT525-192
-	-	-	Bypass (Housing)	YES		86°C	187°F	TT538-187
-	-	-	Special Design	YES		87°C	189°F	TT544-189
-	-	-	Special Design	YES		91°C	195°F	TT547-195
-	33.5mm	43mm	Bypass (Housing)	YES		105°C	221°F	TT550-221P
-	47mm	28mm	Bypass (Housing)	YES		77°C	170°F	TT554-170
-	32.5mm	25mm	Bypass (Housing)	YES		95°C	203°F	TT557-203
-	-	-	Special Design	YES		84°C	183°F	TT566-183
-	-	-	Special Design	YES		103°C	217°F	TT568-217
-	-	-	Bypass (Housing)	YES		109°C	228°F	TT569-228
-	-	-	Bypass (Housing)	YES		105°C	221°F	TT570-221
-	-	-	Special Design	YES		88°C	190°F	TT571-190
-	-	25mm	Bypass (Housing)	YES		105°C	221°F	TT572-221
-	-	-	Special Design	YES		103°C	217°F	TT573-217
-	-	-	Special Design	YES		83°C	181°F	TT574-181
-	-	-	Special Design	YES		87°C	189°F	TT576-189
-	-	-	Special Design	YES		87°C	189°F	TT578-189
-	-	-	Special Design	YES		87°C	189°F	TT580-189
-	-	-	Special Design	YES		87°C	189°F	TT582-189P
-	-	-	Special Design	YES		84°C	183°F	TT584-183
-	-	-	Special Design	YES		105°C	221°F	TT596-221
-	-	-	Special Design	YES		87°C	189°F	TT597-189
-	-	-	Special Design	YES		87°C	189°F	TT599-189
-	-	-	Special Design	YES		80°C	176°F	TT600-176
-	-	-	Special Design	YES		100°C	212°F	TT601-212
-	-	-	Bypass (Housing)	YES		105°C	221°F	TT606-221
-	-	-	Bypass (Housing)	YES		105°C	221°F	TT611-221
-	-	-	Special Design	YES		83°C	181°F	TT616-181
-	-	-	Special Design	YES		91°C	195°F	TT618-195
-	-	-	Bypass (Housing)	YES		83°C	181°F	TT622-181
-	-	-	Bypass (Housing)	YES		87°C	189°F	TT623-189
-	-	-	Special Design	YES		89°C	192°F	TT624-192
-	-	-	Special Design	YES		87°C	189°F	TT626-189
-	-	-	Special Design	YES		88°C	190°F	TT627-190
-	-	-	Bypass (Housing)	YES		87°C	189°F	TT628-189
-	-	-	Bypass (Housing)	YES		87°C	189°F	TT629-189
-	-	-	Bypass (Housing)	YES		82°C	180°F	TT631-180
-	46mm	27.7mm	Bypass (Housing)	YES		78°C	172°F	TT636-172
-	-	-	Bypass (Housing)	YES		82°C	180°F	TT637-180
-	42.3mm	30mm	Bypass (Housing)	YES		82°C	180°F	TT659-180
-	42mm	30mm	Bypass (Housing)	YES		82°C	180°F	TT660-180
-	-	-	Bypass (Housing)	YES		83°C	181°F	TT1120-181P

Thermostat Size - Quick Reference Guide

 Flange Diameter	 Height	 Foot Diameter	Style	Gasket Included	Flow Type	Opening Temp		Tridon Part Number
						°C	°F	
-	-	-	Bypass (Housing)	YES		88°C	190°F	TT1122-190P
-	30mm	30mm	Bypass (Housing)	YES		92°C	198°F	TT1174-198P
-	23mm	-	Bypass (Housing)	YES		86°C	186°F	TT1308-186P
-	-	29mm	Bypass (Housing)	YES		92°C	198°F	TT1350-198P
-	-	-	Special Design	YES		88°C	190°F	TT1405-190
-	34mm	39mm	Bypass (Housing)	YES		95°C	203°F	TT1427-203P
-	-	-	Bypass (Housing)	YES		88°C	190°F	TT1564-190P
-	-	-	Special Design	YES		88°C	190°F	TT1580-190
-	-	-	Special Design	YES		90°C	194°F	TT1606-194
-	-	-	Special Design	YES		88°C	190°F	TT1636-190
-	-	-	Special Design	YES		88°C	190°F	TT1669-190
-	-	-	Special Design	YES		88°C	190°F	TT1670-190
-	-	-	Special Design	YES		88°C	190°F	TT1672-190
-	-	-	Special Design	YES		88°C	190°F	TT1675-190
-	-	-	Special Design	YES		95°C	203°F	TT1686-203
-	-	-	Special Design	YES		80°C	176°F	TT1689-176
-	-	-	Special Design	YES		88°C	190°F	TT1699-190
-	-	-	Special Design	YES		80°C	176°F	TT1701-176
-	-	-	Special Design	YES		89°C	192°F	TT1706-192
-	-	-	Special Design	YES		90°C	194°F	TT1732-194
-	-	-	Special Design	YES		90°C	194°F	TT1733-194
-	-	-	Special Design	YES		95°C	203°F	TT1743-203
-	-	-	Special Design	YES		83°C	181°F	TT1745-181
-	-	-	Special Design	YES		83°C	181°F	TT1747-181

This section assists in identifying the range of Tridon thermostat gaskets. Drawings of each gasket part number (not to scale) show the diameter in millimetres and can be used for matching with your old gasket. Most paper style gaskets are adhesive backed for easy installation.

A comprehensive range of rubber ring gaskets (seals) is available to suit various vehicle applications. Certain thermostat part numbers are supplied complete with rubber 'O' ring seals. Information on thermostats supplied complete with 'O' ring are detailed in the thermostat application list. Refer to the vehicle application list for the recommended paper gasket or 'O' ring seal.

For packaging and merchandising details refer to page 4.

Thermostat Gaskets



Thermostat Gaskets



Function

The thermostat gasket is either a paper or moulded rubber ring used to seal the thermostat housing assembly to the cooling system.

Thermostat Gasket Styles

Two main types of thermostat gaskets are commonly used including **Paper Gaskets** and **Rubber Ring Gaskets** ('O' ring seal).

Paper Gaskets

Paper gaskets are manufactured from thermostat gasket paper material. The Tridon thermostat range consists of both application specific or universal paper gaskets. Tridon universal paper gaskets can be cut to suit an individual requirement. Some Tridon paper gaskets have an adhesive backing to assist with installation.

Rubber Ring Gaskets ('O' ring seal)

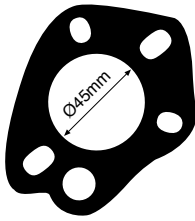
Rubber ring gaskets are manufactured to form moulded rubber profiles. The Tridon rubber gasket range consists of various rubber profiles and sizes designed to replace specific OEM applications. Refer to the Tridon vehicle application list for the correct application.

Some manufacturers do not use paper or rubber ring gaskets, rather liquid gasket sealant compounds. For applications where liquid gasket sealant compounds are recommended refer to manufacturer's specifications for the type required.

Some Tridon thermostats are sold with the thermostat gasket included. Refer to the vehicle application list or thermostat section for further information by part number. For these Tridon part numbers the thermostat gasket is not sold separately.

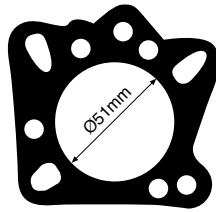
TTG1U

Self adhesive backed paper style gasket



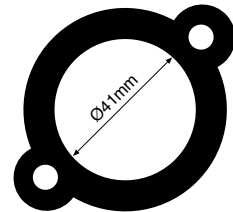
TTG2U

Self adhesive backed paper style gasket



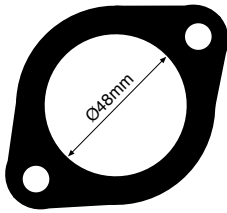
TTG3

Self adhesive backed paper style gasket



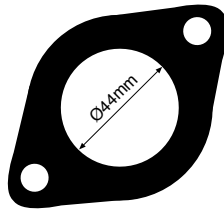
TTG4

Self adhesive backed paper style gasket



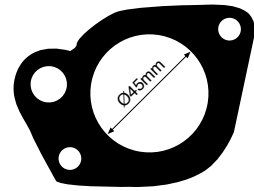
TTG5

Self adhesive backed paper style gasket



TTG6

Self adhesive backed paper style gasket



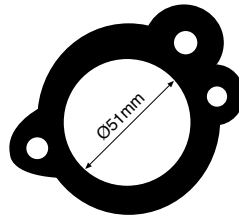
TTG7

Self adhesive backed paper style gasket



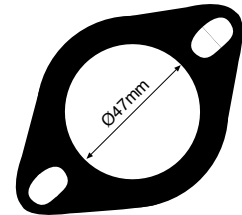
TTG8

Self adhesive backed paper style gasket



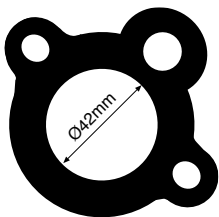
TTG9

Self adhesive backed paper style gasket



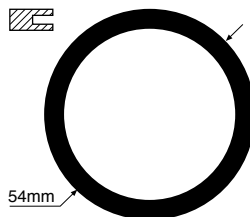
TTG10

Self adhesive backed paper style gasket



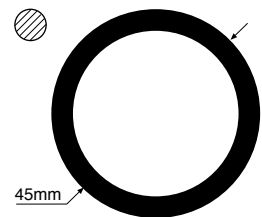
TTG11

Rubber seal gasket



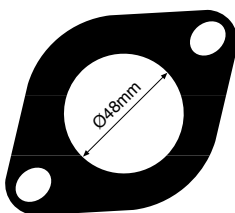
TTG12

Rubber seal gasket



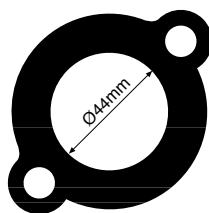
TTG13

Self adhesive backed paper style gasket



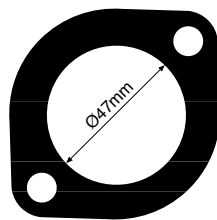
TTG14

Self adhesive backed paper style gasket



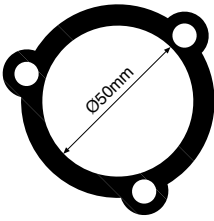
TTG15

Self adhesive backed paper style gasket



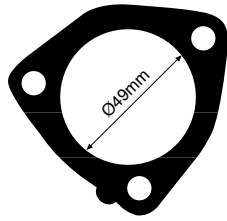
TTG16

Self adhesive backed paper style gasket



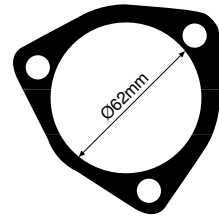
TTG17

Self adhesive backed paper style gasket



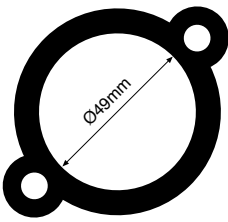
TTG18

Self adhesive backed paper style gasket



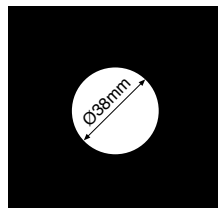
TTG19

Self adhesive backed paper style gasket



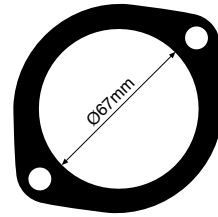
TTG20U

Self adhesive backed paper style gasket



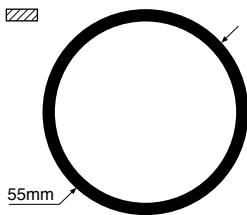
TTG21

Self adhesive backed paper style gasket



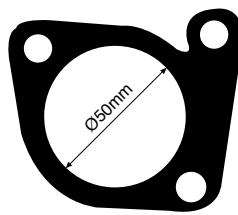
TTG22

Rubber seal gasket



TTG23

Self adhesive backed paper style gasket



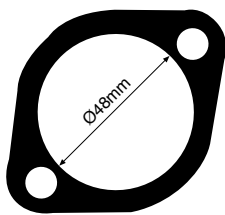
TTG24

Self adhesive backed paper style gasket



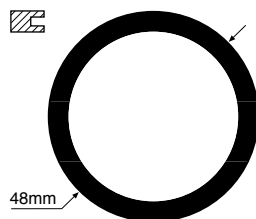
TTG25

Self adhesive backed paper style gasket



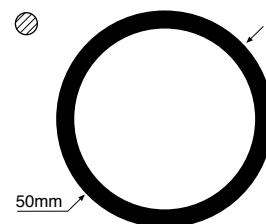
TTG26

Rubber seal gasket



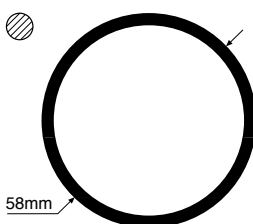
TTG27

Rubber seal gasket



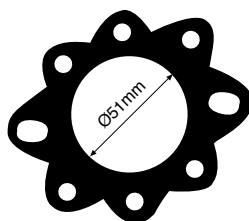
TTG28

Rubber seal gasket



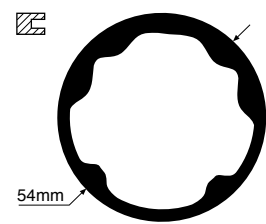
TTG29U

Self adhesive backed paper style gasket



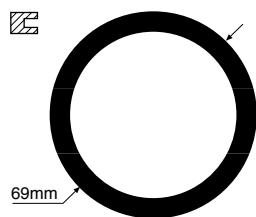
TTG30

Rubber seal gasket



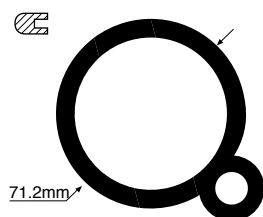
TTG31

Rubber seal gasket



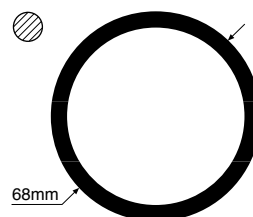
TTG32

Rubber seal gasket



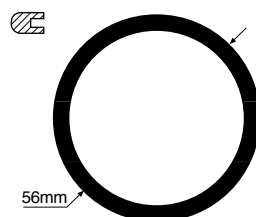
TTG33

Rubber seal gasket



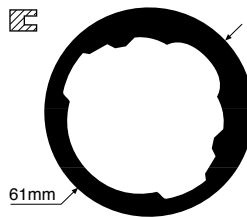
TTG34

Rubber seal gasket



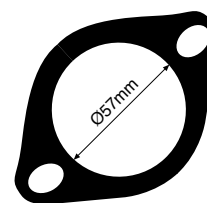
TTG35

Rubber seal gasket



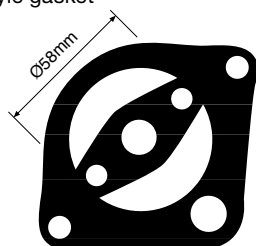
TTG36

Self adhesive backed paper style gasket



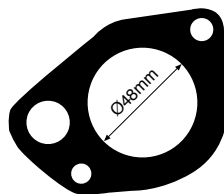
TTG37

Self adhesive backed paper style gasket



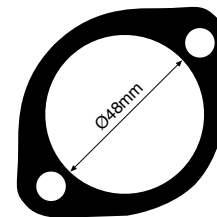
TTG38

Self adhesive backed paper style gasket



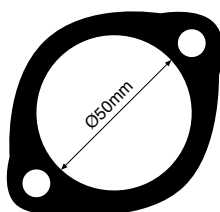
TTG39

Self adhesive backed paper style gasket



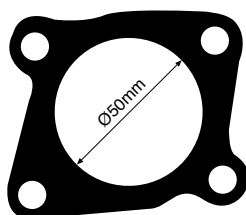
TTG40

Self adhesive backed paper style gasket



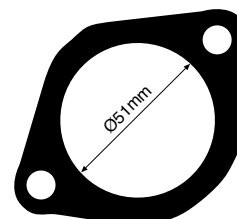
TTG41

Self adhesive backed paper style gasket



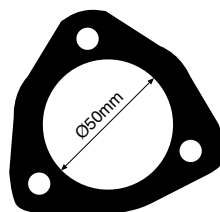
TTG42

Self adhesive backed paper style gasket



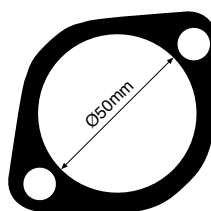
TTG43

Self adhesive backed paper style gasket



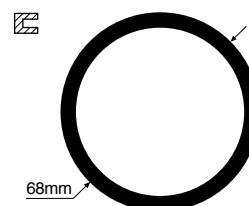
TTG44

Self adhesive backed paper style gasket



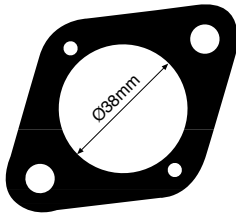
TTG45

Rubber seal gasket



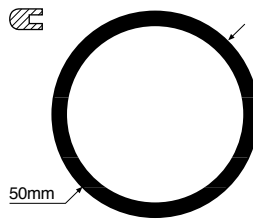
TTG46

Self adhesive backed
paper style gasket



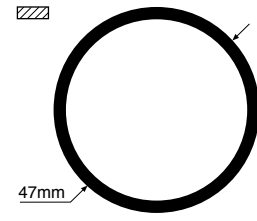
TTG47

Rubber seal gasket



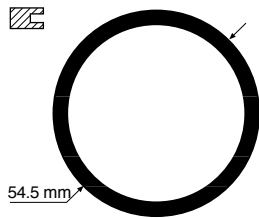
TTG48

Rubber seal gasket



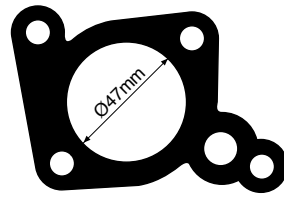
TTG49

Rubber seal gasket



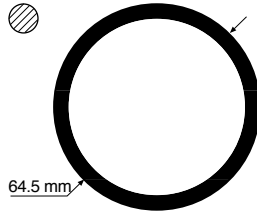
TTG50

Self adhesive backed
paper style gasket



TTG51

Rubber seal gasket



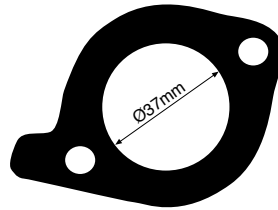
TTG55

Self adhesive backed
paper style gasket



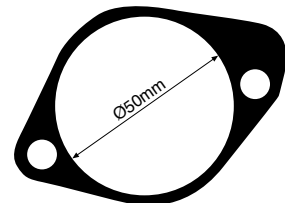
TTG56

Self adhesive backed
paper style gasket



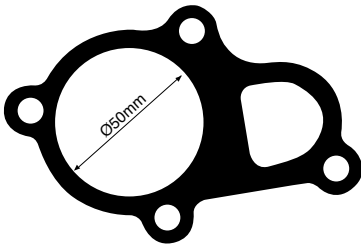
TTG57

Self adhesive backed
paper style gasket



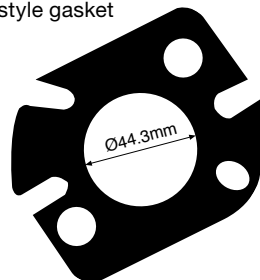
TTG58

Self adhesive backed
paper style gasket



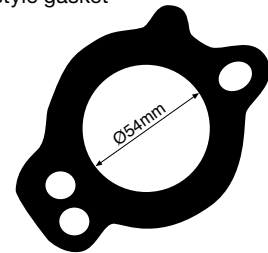
TTG59

Self adhesive backed
paper style gasket



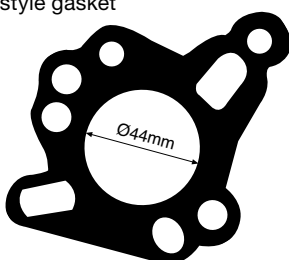
TTG60

Self adhesive backed
paper style gasket



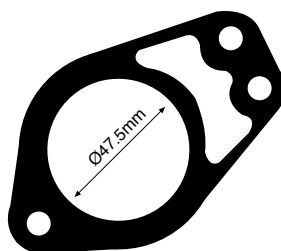
TTG61

Self adhesive backed
paper style gasket



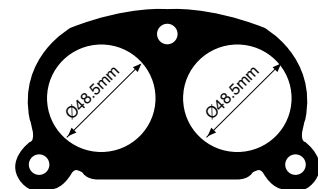
TTG62

Paper style gasket



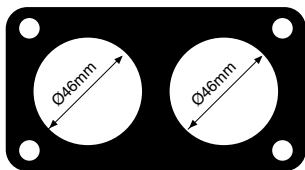
TTG63

Self adhesive backed
paper style gasket



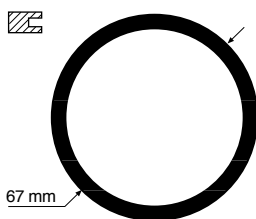
TTG64

Self adhesive backed paper style gasket



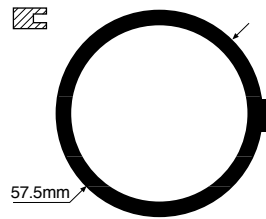
TTG65

Seal with metal outer and rubber inner



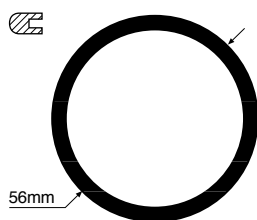
TTG68

Rubber seal gasket



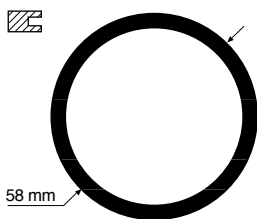
TTG69

Rubber seal gasket



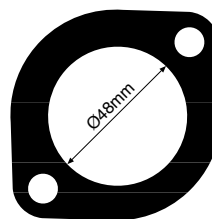
TTG70

Rubber seal gasket



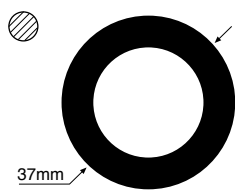
TTG71

Self adhesive backed paper style gasket



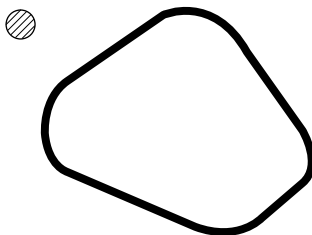
TTG72

Rubber seal gasket



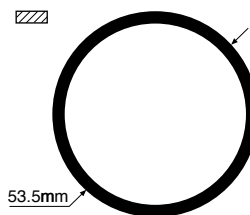
TTG73

Rubber seal gasket



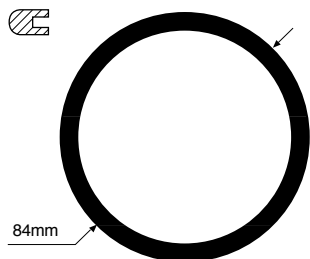
TTG74

Rubber seal gasket



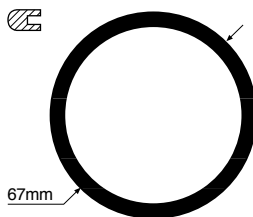
TTG75

Rubber seal gasket



TTG76

Rubber seal gasket



TTG77

Paper style gasket



electronic part finder

Additional vehicles and applications may have been introduced after the time of catalogue printing. For complete, up to date vehicle application listings refer to the Tridon website www.tridon.com.au (or www.tridon.co.nz) and go to **Tridon Part Finder**.

The Tridon Part Finder contains the most up to date vehicle information and parts applications. It is easy to use, just follow these steps to select the correct Tridon part:

Step 1: Go to www.tridon.com.au or www.tridon.co.nz

Step 2: Select Part Finder Tab

Step 3: Select Vehicle Make

Step 4: Select Vehicle Model

Step 5: Select Year

Step 6: Select the Series, Engine or Date

Step 7: Select the Tridon Part Required

TRIDON

CONTACT US | HOME

PRODUCTS | PART FINDER | ABOUT TRIDON | DOWNLOADS

SEARCH Go

Home > Part Finder

Part Finder

Select make
Holden

Select model
Commodore

Select year
All years

Select application(s)
 All Ignition Switches & Sensors Wiper
 Automotive Caps Mallory Squeezees Thermostats & Gaskets Timing Tools
 Flashers & Relays

TT2003-195 Thermostat (High Flow)

Features

- Opening Temp: 91°C
- Flange Dia: 44mm
- Foot Dia: -
- Height: -
- Conventional style thermostat.
- High flow version of TT203 series.

Applications for Holden Commodore VY Series II, V6, 3.0L, OHV, Petrol, MPFI, RWD, 152, Eng code: LG3, 1/08/2003 - 1/07/2004

PART NO	Description	Location	First Date	Last Date	Comments
TCAS287	Cam Angle Sensor	In front timing cover			
TCAS14	Crank Angle Sensor	On front timing cover			
FET13	Electronic Flasher				FET16 can be used if additional trailer dashboard indicator is required.
TF1226	Fuel Cap (Locking)				Not suitable for Ute
TF1227	Fuel Cap (Locking)				Suits Ute
TF16226	Fuel Cap (Non Locking)				Not suitable for Ute
TF16227	Fuel Cap (Non Locking)				Suits Ute
TI3002	Ignition Coil				3 required per vehicle
TI4049	Ignition module				
TOCS20	Oil Cap				
TO5000	Oxygen Sensor (Direct Fit)	In front engine pipe			3 Wire sensor
TO5012	Oxygen Sensor (Universal)				2 Wire sensor
CA20135	Radiator Cap				
TT203-195	Thermostat		08/2003	07/2004	Conventional type thermostat, 44mm main flange.
TT2003-195	Thermostat (High Flow)		08/2003	07/2004	High flow thermostats allow approximately 30% more coolant flow than STD thermostats.
TT046	Thermostat Gasket				Paper style gasket. Sealing compound should be used.
TBL16	Wiper Complete Blade	Rear Windscreen			

For illustration purposes only. Please refer to Tridon website.



Servicing the Automotive, Industrial and Hardware Markets



Hose Clamps

- Perforated Band Clamps
- Solid Band Clamps
- T-Bolt Clamps
- Double Ear & Rubber Lined Clamps
- Spring Lock Clamps
- Uniband Clamps
- Vinyl Coated Clamps
- Specialised Clamping Solutions

Cooling System

- Thermostats (including High-Flow)
- Thermostat Gaskets

Automotive Caps

- Radiator, Oil Caps & Fuel Caps

Ignition Parts

- Ignition Coils
- Ignition Modules
- Crank and Cam Angle Sensors
- Pick Up Coils

Switches and Sensors

- Oil Pressure Senders & Sensors
- Water Temperature Senders
- Coolant Temperature Sensors
- Thermo Fan Switches
- Stop Light Switches
- Reverse Light Switches
- Oxygen Sensors

Windscreen Wipers

- Plastic & Metal Wiper Refills
- Complete Wiper Blades
- FlexBlade Wiper Blades

Electrical

- Electronic & Thermal Flashers
- General Relays
- Brass Battery Terminals
- Battery Cables

Driveway Service Products

- Mallory Window Squeegees

Cable Ties

- Nylon & Stainless Steel



Workshop Tools

- General Workshop
- Electrical Ignition and Spark
- Battery Service
- Engine Service
- Lubrication Equipment
- Transmission and Gearbox Service
- Fuel Service
- Cooling Service
- Tyre and Wheel Service
- Brake Service
- Suspension and Steering Service
- Exhaust Service
- Body and Trim

Pullers

- Mechanical Pullers
- Hydraulic Pullers
- Automotive Pullers

Hand Tools

- Crimping
- Circlip Pliers
- Multigrips
- Pliers
- Bolt Cutters
- Scribes
- Squares
- Wire Strippers
- Wrenches
- Files & Rasps
- Knives & Scissors
- Sloggers & Podgers

Measuring

- Calipers & Dividers
- Rules & Tapes



- Screwdrivers
- Bits & L Keys
- Zyklop & Koloss Ratchets



- Chisels & Punches
- Scrapers & Wrecking Bars



- Combination Pliers
- Circlip Pliers
- Water Pump Pliers
- Cutting Nippers
- Carpenter's Pincers
- Concreter's Nippers
- Gripping Pliers
- Cable & Wire Rope Cutters
- Pipe Wrenches
- Tweezers
- Insulated Tools (1000V)
- Electronic Pliers



- Bolt Cutters
- Rod Cutters & Benders
- Angular Cutters
- Cable Cutters
- Concrete Mesh Cutters
- Swaging/Crimping
- Pocket Cutters
- Wire Rope Cutters



- Service & Diagnostics
- Hydraulic & Mechanical Pullers
- Body Repair Tools



- Measuring & Marking
- Punches & Chisels
- Vices & Clamping



- Sockets & Spanners



- Chuck Keys
- Tiling, Cutting & Shaping Tools

For further information contact

Tridon Customer Service:

Phone: 1300 362 263

Fax: 1300 656 006

Email: sales@tridon.com.au

www.tridon.com.au

AUSTRALIA

New South Wales

Head Office

15-27 Derby Street

Silverwater NSW 2128

Victoria

1/11 Brough Street

Springvale VIC 3171

Queensland

7/37 Northlink Place

Virginia QLD 4014

South Australia

729B Port Road

Woodville SA 5011

Western Australia

1/1 President Street

Welshpool WA 6106

NEW ZEALAND

3 Tiri Place

Mt Wellington

Auckland NZ

Phone: (09) 259 4327

Fax: (09) 259 4326

Email: sales@tridon.co.nz

www.tridon.co.nz