

---

Hammers & Dollies

---

Panel

---

Shaping

---

Trim

---

Windscreen

---

# PANEL & TRIM



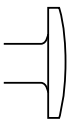


# PANEL & TRIM

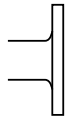
## HAMMERS & DOLLIES

### Hammers Panel Beating

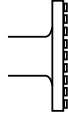
- Premium trade quality range made from hickory timber handles (octagonal shape) and polished forged induction hardened heads
- Heads will not crack or chip and are built to endure heavy duty use
- Handles and heads are securely wedged together via a unique double wedge system – wood and steel to provide maximum security and stability
- Hammers are specially designed to be well weighted and balanced
- Replacement handles available (never shorten an existing handle if cracked or broken as this will negatively affect the balance of the hammer)



Crowned



Flat



Shrinking

Part No.	Type	Description	Face 1	Face 2	Length	Weight
<b>313055</b>	Pein and finishing	Crowned	Round 40mm	Straight pein	330mm	420g
<b>313056</b>	Pein and finishing	Crowned	Round 40mm	Curved pein	330mm	430g
<b>313057</b>	Pick and finishing	Crowned	Round 40mm	Pick	330mm	410g
<b>313058</b>	Bumping - standard	Flat	Round 40mm	Square 38mm	330mm	450g
<b>313059</b>	Bumping - light	Crowned	Round 30mm	Square 28mm	330mm	410g
<b>313060</b>	Shrinking	Flat - round Shrinking - square	Round 40mm	Square 38mm	330mm	430g
<b>313061</b>	Shrinking - heavy duty	Shrinking - round Shrinking - square	Round 40mm	Square 38mm	330mm	430g
<b>313025</b>	Replacement handle and wedges	Suits all hammers				





## Dollies Panel Beating

- High grade heat treated forged steel
- Ground and polished to a mirror finish

Part No.	Description	Length	Width	Height	Weight
<b>313004</b>	Curved dolly	130mm	60mm	40mm	1085g
<b>313005</b>	Toe dolly	120mm	55mm	25mm	1400g
<b>313006</b>	Thin toe dolly	120mm	55mm	25mm	925g
<b>313007</b>	Grid dolly	120mm	57mm	25mm	1400g
<b>313008</b>	Heel dolly	80mm	57mm	30mm	880g
<b>313009</b>	Double end hand dolly	65mm	60mm	75mm	1200g
<b>313050</b>	Angle dolly	110mm	60mm	20mm	625g
<b>313051</b>	Shrinking dolly	120mm	57mm	25mm	1400g
<b>313052</b>	Utility dolly	70mm	70mm	65mm	1400g
<b>313053</b>	Anvil dolly	95mm	76mm	60mm	1500g
<b>313054</b>	Double end round dolly	50mm Dia.		55mm	760g





# PANEL & TRIM

## Spoons Panel Beating

- High grade heat treated forged steel
- Ground and polished to a mirror finish

Part No.	Description	Length	Width	Height	Weight
<b>313003</b>	Heavy duty mould spoon	240mm	50mm	60mm	1200g
<b>313049</b>	Heavy duty pry spoon	290mm	50mm	35mm	710g



## Panel Beating Kits

- A combination of popular hammers and dollies used for professional panel repairs
- See page 296-297 for component specifications

Part No.	Description	Part No. (Spare)	Description
<b>313001</b>	6 piece kit	313057	Pick and finishing hammer
		313060	Shrinking hammer
		313003	Heavy duty mould spoon
		313004	Curved dolly
		313005	Toe dolly
		313006	Double end hand dolly



Part No.	Description	Part No. (Spare)	Description
<b>313002</b>	7 piece kit	313055	Pein and finishing hammer
		313058	Standard bumping hammer
		313060	Shrinking hammer
		313004	Curved dolly
		313005	Toe dolly
		313009	Double end hand dolly
		313008	Heel dolly





**PANEL**

**Cushion Bags Inflatable Dent Removers**

- For simple and effective dent removal
- Insert between inner and outer panel and inflate manual hand pump
- Manufactured from reinforced fabric for heavy duty long service life
- Quick connect feature between cushion and pump
- Air release valve on pump

Part No.	Description	Part No. (Spare Insert)	Description	Inflatable Height (Max.)
<b>313010</b>	Set of three cushion bags	313011	Inflatable cushion 160 x 160mm	50mm
		313012	Inflatable cushion 60 x 180mm	15mm
		313013	Inflatable cushion 50 x 190mm	15mm
		313014	Hand pump with 240mm long hose	-



Part No.	Description	Part No. (Spare Insert)	Description	Inflatable Height (Max.)
<b>313015</b>	Large cushion bag	313017	Inflatable cushion 135 x 420mm	90mm
		313016	Hand pump with 450mm long hose	-



Part No.	Description	Part No. (Spare Insert)	Description	Inflatable Height (Max.)
<b>313018</b>	Kidney cushion bag	313019	Inflatable kidney cushion 110 x 320mm	70mm
		313016	Hand pump with 450mm long hose	-



Part No.	Description	Part No. (Spare Insert)	Description	Inflatable Height (Max.)
<b>313020</b>	Set of three cushion bags	313017	Inflatable cushion 135 x 420mm	90mm
		313019	Inflatable kidney cushion 110 x 320mm	70mm
		313021	Inflatable kidney cushion 140 x 400mm	80mm
		313016	Hand pump with 450mm long hose	-





# PANEL & TRIM

**313076**

## Coating Thickness Gauge

- Measures coating thickness on ferrous materials
- One-hand operation
- Backlit display
- Auto hold and shut off functions
- User selectable units, micrometer or mm
- Supplied with custom protective pouch
- Calibration kit included



### Specifications

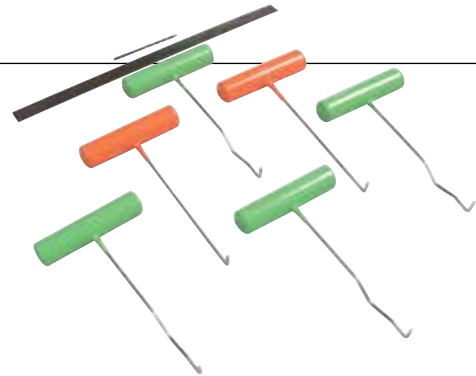
Display	3-digit LCD with max readout of 1999 counts
Range	0 to 40mm/0 to 1000µm
Resolution	0.1mm/1µm
Operating Temperature	0 to 50°C (32 to 122°F) @ <75% RH
Storage Temperature	-20 to 60°C (-4 to 140°F) @ 0 to 80% RH with battery removed
Accuracy	0 to 7.8mm: ±4 digits, 0 to 199µm: ±7 digits, 7.9 to 40mm (200 to 1000µm): ±3% + 4 digits

Stated Accuracy	@ 23 ±5°C, <75% RH
Response Time	1 Sec
Auto Shut-Off	15 Sec
Power	9 V alkaline battery (included)
Battery Life	9 hours continuous usage with backlight
Dimensions	148 H x 105 W x 42 D (mm) (5.8" x 4.1" x 1.7")
Weight	157g (5.5oz) with battery

**313304**

## Dent Removal Kit External

- Suitable for quick repair of dents and creases from outside the vehicle
- Pull rods eliminate the removal and replacement of head linings and upholstery inner panels
- Kit includes one drill bit, one stainless steel edge, two pick pulls (straight) and four pull rods (formed shank)



**313065**

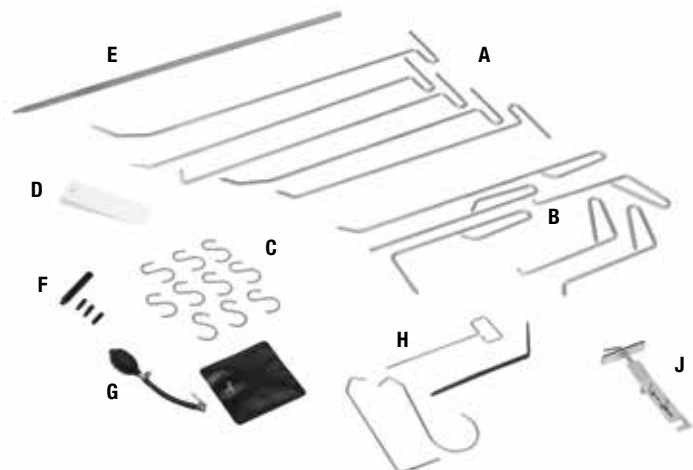
## Dent Removal Kit Paintless

- Designed for work on metal, to remove dents from the inside of the panels
- Used correctly, this kit eliminates the need for panel painting by rolling the metal back to its original form
- To be used by trained professionals only
- A comprehensive set for the professional workshop

### Contents

Part No.	Description	Item No.
313066	S/S T-handle dent set 5pc	A
313067	S/S Loop handle dent set 6pc	B
313068	S/S S-shape hooks set 10pc	C
313069	Panel wedge tool	D
313070	Dent straight bar 912mm	E
313071	PE type dent tool set 4pc	F
313072	Misc dent tool set 4pc	H
313073	Inflatable cushion set	G
313087	Door jammer	J

\*S/S = Stainless steel





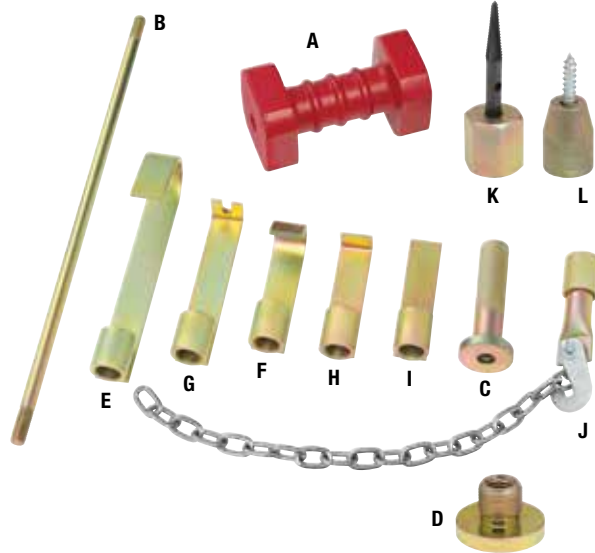
**313036**

**Dent Removal Kit Slide Hammer**

- Slide hammer dent puller kit designed for pulling out dents and creases in panels
- A comprehensive set for the professional workshop
- 6kg slide hammer provides ample force

**Contents**

Part No.	Description	Item No.
313037	Slide hammer	A
313038	Slide hammer shaft	B
313039	Tube handle with grip	C
313040	Adaptor	D
313041	Deep hook	E
313042	Short hook	F
313043	Door edge tool	G
313044	L-Shape tool	H
313045	Straight driver	I
313046	Hook and chain	J
313047	Nut and extractor	K
313048	Nut and screw	L



**313303**

**Panel Clamp Pack**

- Hold panels in place during welding
- Allows door to be closed to check alignment prior to welding
- Width: 15mm



**313301**

**Spot Weld Remover 10mm**

- Double ended blade cuts perfect holes in most material
- 1/4" arbor with retractable pilot ensures accurate cuts
- Use with all 1/4" or larger variable-speed drills
- Manufactured from quality alloy steel
- Overall length: 75mm

Part No. (Spare)	Description
313302	Replacement blades (3pc)



**313300**

**Spot Weld Remover Set**

- Contains the four most common sizes of spot weld drills including 6mm (1/4"), 8mm (5/16"), 10mm (3/8") and 12mm (1/2")
- Drills feature a self-centring point to help maintain sharpness
- Suitable for use with electric and pneumatic drills at high speeds (300-2000RPM)
- Drill out spot welds on uni-body cars
- Manufactured from quality alloy steel



**313306**

## Vacuum Suction Disc

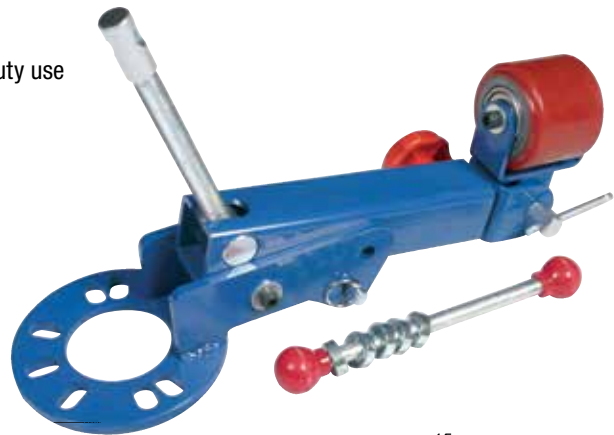
- Pulls out panel dents safely and easily
- Also suitable for other applications including holding windshields, lifting sheet metal or plastic
- Swivel steel bar handle ideal for use with a chain and jack
- No trigger function to gum up or break off – release by lifting the lipped edge to release the vacuum
- No wetting required



**313400**

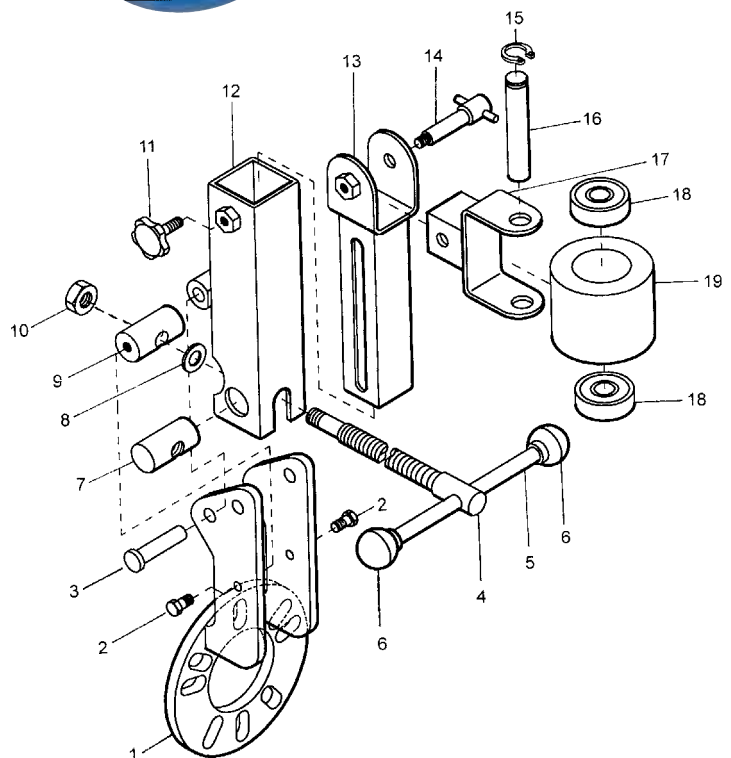
## Wheel Arch Reformer Tool

- Designed to reform or enlarge mudguards without having to remove body panels from the vehicle
- Wheel adaptor hub plate suits three, four or five stud wheels
- Suitable for use on front or rear panel modifications and repairs
- Robust steel construction, built to withstand the rigours of heavy duty use
- Operator manual included and all parts available as spares



### Contents

Part No.	Description	Item No.
313401	Hub plate	1
313402	Screw	2
313403	Locating pin	3
313404	Propelling screw	4
313405	Screw long	5
313406	Acorn nut	6
313407	Fixed guide rod	7
313408	Washer	8
313409	Link	9
313410	Locking nut	10
313411	Adjustment screw	11
313412	Swivel arm	12
313413	Support adjustment	13
313414	Locking screw	14
313415	C-Clamp	15
313416	Axle pivot	16
313417	Frame bearing	17
313418	Bearing	18
313419	Roller	19







## SHAPING

### Abrasive Holders/Hand Sander

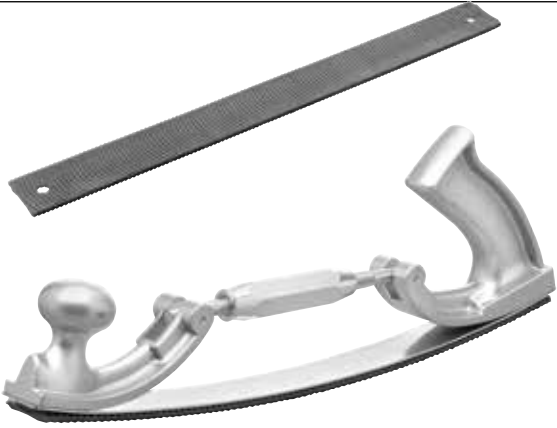
- Polished wooden handle
- Spring retaining clips hold abrasive paper firmly

Part No.	Overall Length	Surface Size
<b>313062</b>	170mm	70 x 200mm
<b>313063</b>	400mm	70 x 430mm



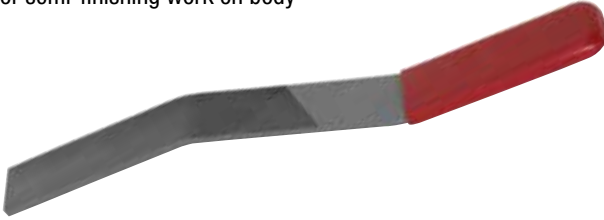
### Body Blades (Flexible) & Holder

Part No.	Description	TPI
<b>313086</b>	Double sided flexible body blade for plastic body fillers	6.5
<b>313085</b>	Double sided flexible body blade for soft metals, lead and solder fillers	9
<b>313084</b>	Double sided flexible body blade for metal body panels	12
<b>313064</b>	Body blade holder (metal). Knuckled centre nut used to adjust holder for flat, convex and concave applications. Suits Toledo body blades and 355mm blades	-



### **313082** Body Bumping File

- Curved serrated steel blade, ideal for flattening bumps and dents and for semi-finishing work on body
- Milled serrated teeth help prevent metal stretch
- PVC dipped handles for improved comfort and grip
- Overall length: 350mm
- Width: 35mm



### **313079** Cheese File

- Cheese file, flat handle supplied with flat blade
- Designed for filing auto body fillers (plastic putty)
- Durable alloy zinc base with plastic handle
- Overall length: 400mm

Part No. (Spare)	Description	Overall Length
313080	Replacement blade – flat	250mm



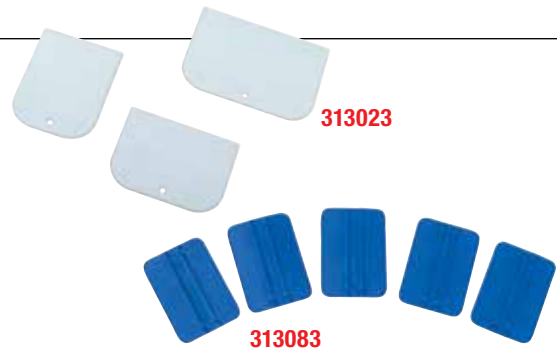


# PANEL & TRIM

## Filler Applicators Auto Body

- Plastic spreaders suitable for the application of auto body fillers and general purpose household fillers

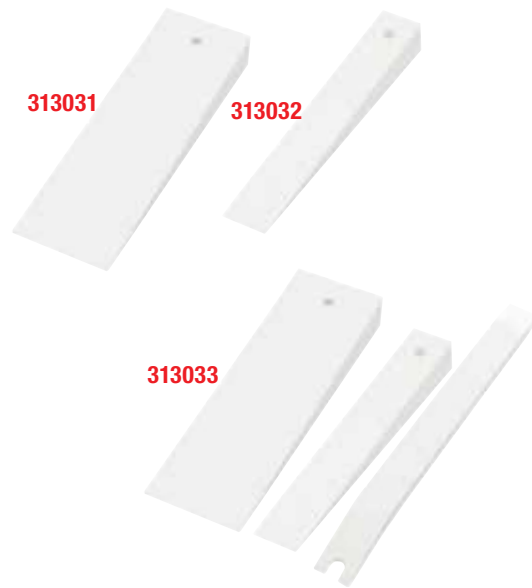
Part No.	Size (W x H)	No. of Pieces
<b>313023</b>	100 x 75mm 125 x 85mm 75 x 100mm	3pc (one of each size)
<b>313083</b>	100 x 70mm	5pc (all the same size)



## Panel Wedges

- For the removal of door panels, timber trim, plastic from dashboards, emblems etc.
- Provides a simple means for removal without causing any damage to the paintwork or dash etc.

Part No.	Description
<b>313033</b>	Complete three piece set supplied in box Contains: Wedge – 30 x 190mm, Wedge – 60 x 200mm & Slotted Wedge – 20 x 270mm
<b>313031</b>	Wedge single – 30 x 190mm on hang card
<b>313032</b>	Wedge single – 60 x 200mm on hang card



## TRIM

**313026**

## Air Bag Removal Kit

- For efficient damage free removal of airbags on most late model Audi, BMW, GM (Opel), Mercedes Benz, Renault and Volkswagen

Description	Qty
Suit Audi A4 & A6, Volkswagen Passat (late model) & Polo	2
Suit Volkswagen Golf (late model) & Beetle, Seat	2
Suit Volkswagen Golf (1998-2004), Passat (1997) & Bora (1999)	1
Suit Volkswagen Passat (2000)	1
Driver side airbag removal on 1999-2004 new body style Volkswagen Passat, Jetta, Golf and Beetle	1
★ Torx T25 suits BMW	1
★ Torx T30 suits Audi, GM (Opel), Renault, Volkswagen	1
★ Tamperproof Torx T25H suits BMW	1
★ Tamperproof Torx T30H suits Audi, BMW, GM (Opel), Mercedes Benz	1
● Hex 5mm suits Audi	1

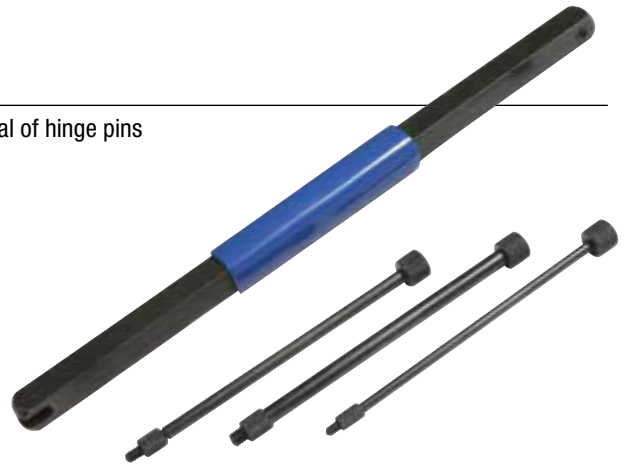




**313298**

**Hinge Pin Extractor Kit**

- An essential tool set used for safe and accurate installation and removal of hinge pins
- Simple to use
  1. Choose the correct punch for the door hinge
  2. Remove the threaded end cap
  3. Slide the punch upwards through the hinge and reattach end cap
  4. Fit the slotted end of the cranked handle onto the punch and tap gently with a mallet to extract/draw out the pin



Part No. (Spare)	Description
313299	Replacement hinge pins only (3 pc) (Size: 3 x 110mm, 5 x 110mm, 5.5 x 110mm)

**313022**

**Rear-View Mirror Release Tool Internal**

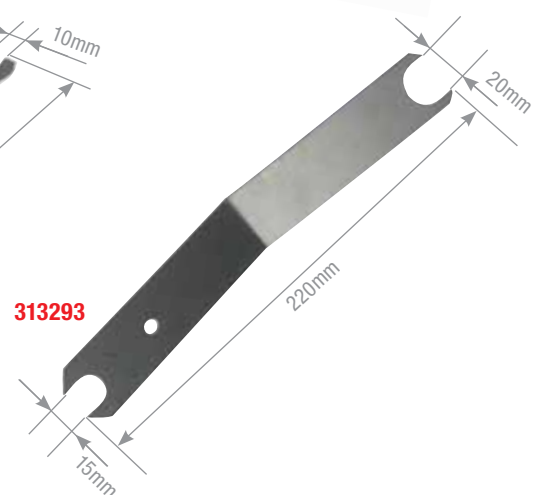
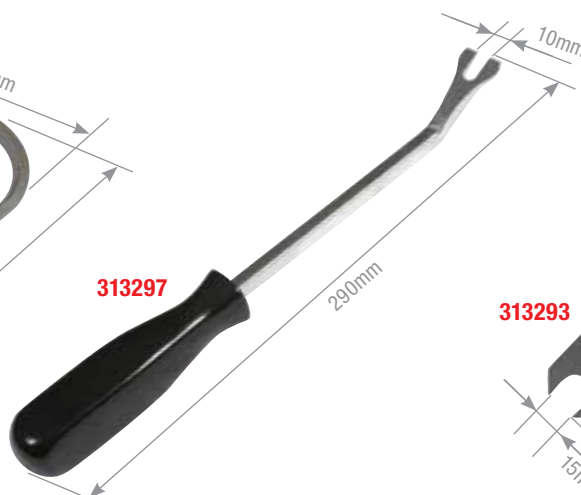
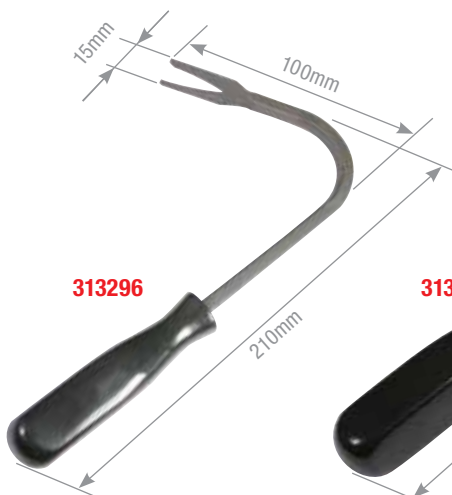
- Enables fast removal of mirrors
- Slide prongs between mirror and bracket to release retaining clips
- Suits Ford and GM
- PVC dipped handle



**Trim & Clip Removers**

- A mix of different tools used for all types of damage free removal of trim, moulding, door panels and dashboards
- Essential tools for work which involves the removal and re-fit of interior and exterior trims
- Various tools cover applications on most motor vehicles and light commercials

Part No.	Description
<b>313296</b>	"V" notch
<b>313297</b>	"U" notch
<b>313000</b>	2 in 1
<b>313293</b>	2 in 1

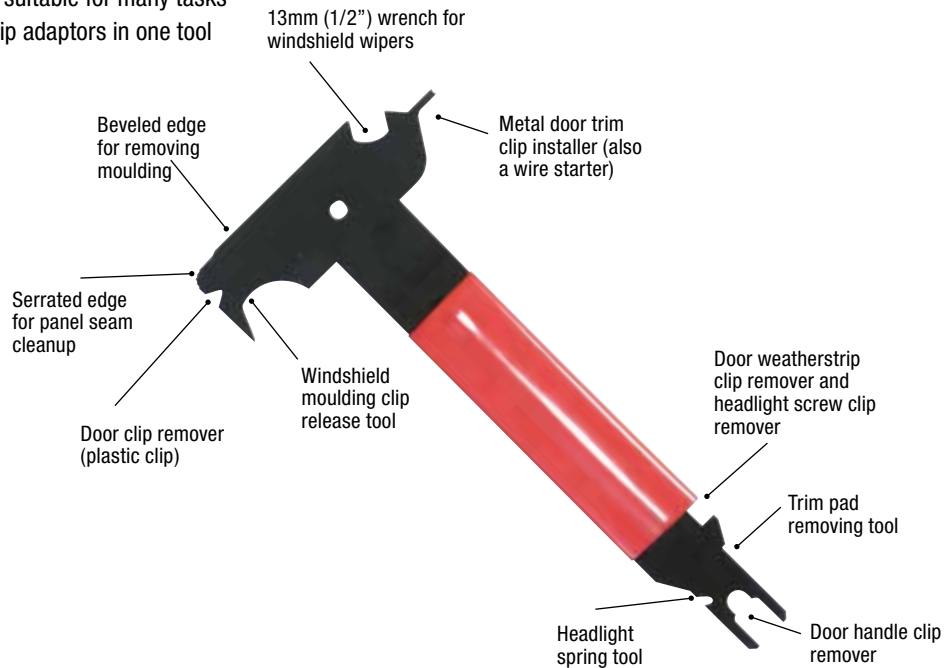




**313294**

## Trim & Clip Remover 10 in 1

- Versatile multi-application tool suitable for many tasks
- Features ten panel, trim and clip adaptors in one tool



## Trim & Clip Remover Sets

- Multiple tool sets for the easy, damage free removal of trim, moulding, door panels and dashboards
- Essential tools for work which involves the removal and re-fit of interior and exterior trims
- Various tools cover applications on most motor vehicles and light commercials
- Durable poly/nylon composite plastic is strong but also effective in reducing incidents of damage
- Ideal for roof linings, door trims, panel trims, door cards, air bag trims and door or body rubbing strips
- Includes wide edge, narrow edge, pull-type, handle type and upholstery clip removal tools

Part No.	Description
<b>313311</b>	Contains five trim removal tools
<b>313024</b>	Contains six trim removal tools

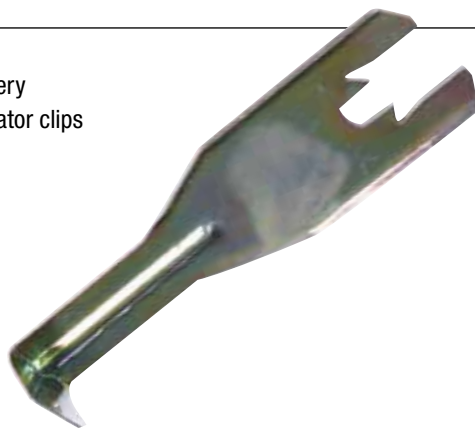
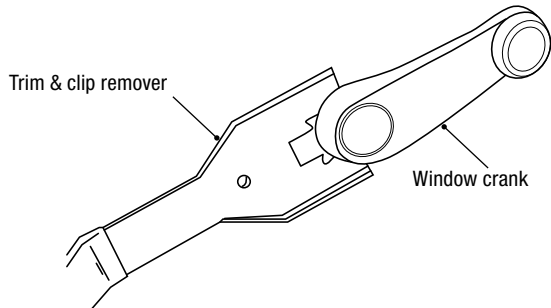




**313295**

## Trim & Clip Remover Door Handle

- Extra length and offset body for the removal of internal handles
- Apply tool to the handle clip for instant removal without damage to upholstery
- Particularly useful for work on Ford and GM door handle and window regulator clips



## WINDSCREEN

**313077**

## Dashboard Protector

- Useful and effective dash board protector for use during windscreen replacement
- Flexible plastic contoured panel is 2mm thick with corners that enable protection in confined areas around the windscreen and dashboard
- Size: 2T x 300W x 600L (mm)



## Suction Cups

- Suitable for the removal of windscreens safely and easily
- Can be used on other applications involving metal or glass
- Aluminium handles with rubber pads



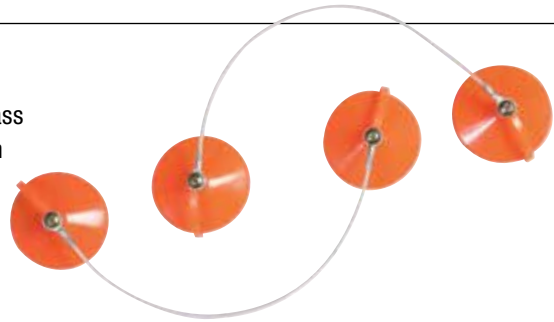
Part No.	Description	Pad Diameter	Safe Working Load	Max. Load
<b>313074</b>	Single suction cup	120mm	10kg	20kg
<b>313075</b>	Double suction cup	115mm	25kg	50kg



**313307**

## Suction Cups Window Holders

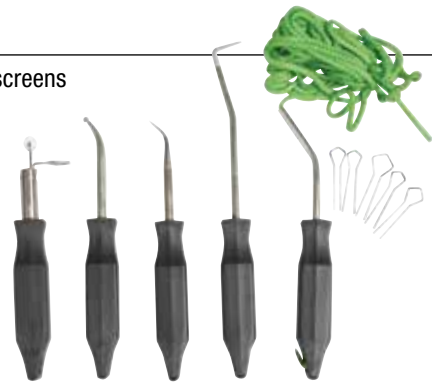
- Set contains two pairs of suction cups attached via a flexible steel cable
- Used for safe removal and replacement of vehicle windscreens
- Also suitable for use when working on window regulators to retain door glass
- Used by looping cables over door frame and attaching suction cups to each side of the glass
- Pad diameter: 62mm



**313308**

## Windscreen Installation Kit

- Complete tool kit for the installation of rubber screens including commercial vehicle screens
- Reinforced composite handles with heat treated, chromed steel shafts
- Handles include hanging eyes for storage
- Includes rope insert tools, assorted tips for the insert tool, curved hook tool, straight hook tool and cleaning tool for the removal of broken glass pieces trapped in the side runners (preventing the need to remove the side runners)



**313309**

## Windscreen Removal Tool

- For the removal of bonded windscreens
- Cuts through the windscreens rubber surround using the hardened carbon steel blade
- Blade can be reshaped and sharpened for further use
- Supplied with one blade only. Additional replacement blades are available (see table below)
- Should be used in conjunction with Toledo dashboard protector Part no. 313077

Spare Part No.	Description
313310	Replacement blade set (3 pc)



**313034**

## Windscreen & Panel Workbench Stand

- Holding stand for windscreens, body panels, bonnets and doors during installation and removal
- Features four removable suction cups and two chains for variable height adjustment
- Maximum recommended holding capacity: 135 kgs

Spare Part No.	Description
313035	Replacement suction cup (1 pc)

